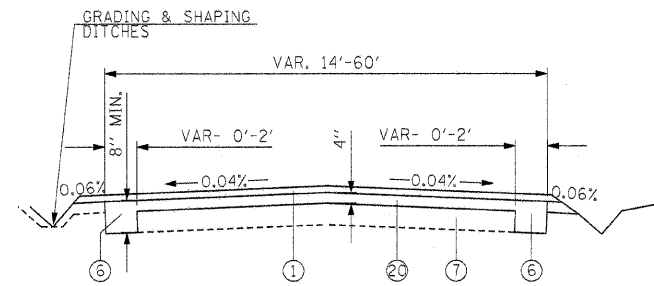


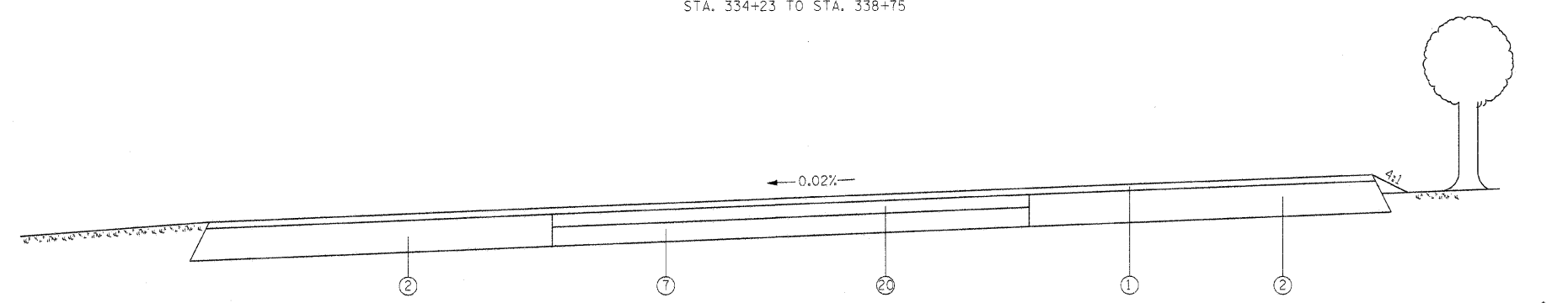
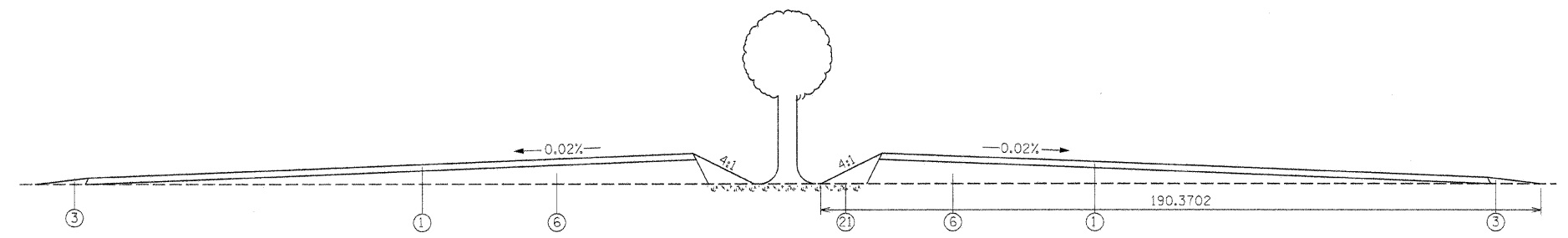
PRIMITIVE CAMPGROUND AREA STA. 320+00 TO STA. 326+22  
 (ROAD RT. STA. 73+20)  
 OAK FLATS ROAD STA. 409+11 TO STA. 446+37  
 DOE RUN ROAD STA. 500+34 TO STA. 505+24  
 BIG OAKS ROAD STA. 606+45 TO STA. 608+08  
 EQUESTRIAN ACCESS STA. 670+44 TO STA. 673+87  
 ROAD STA. 700+14 TO STA. 710+85



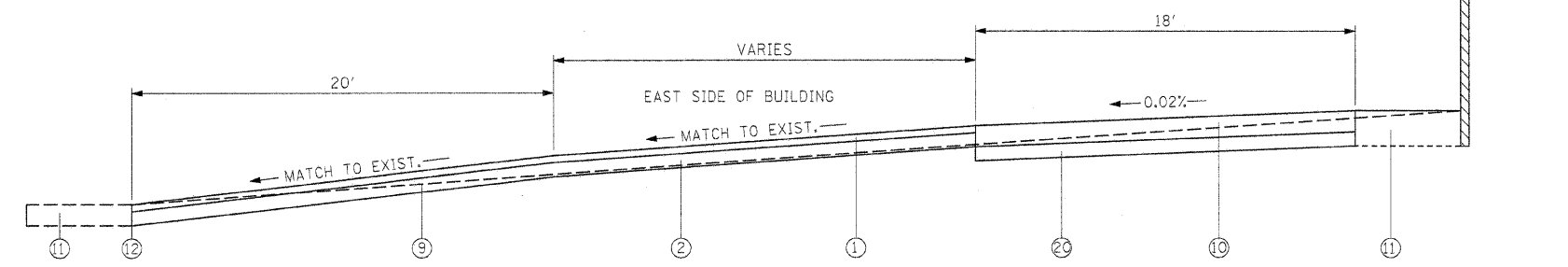
MAINTENANCE BUILDING STA. 300+10 TO STA. 308+73  
 STA. 330+11 TO STA. 334+23  
 ACCESS ROAD STA. 800+12 TO STA. 803+37

**LEGEND**

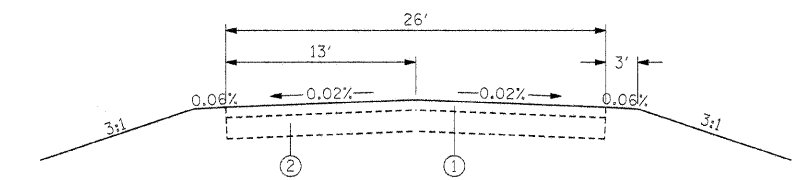
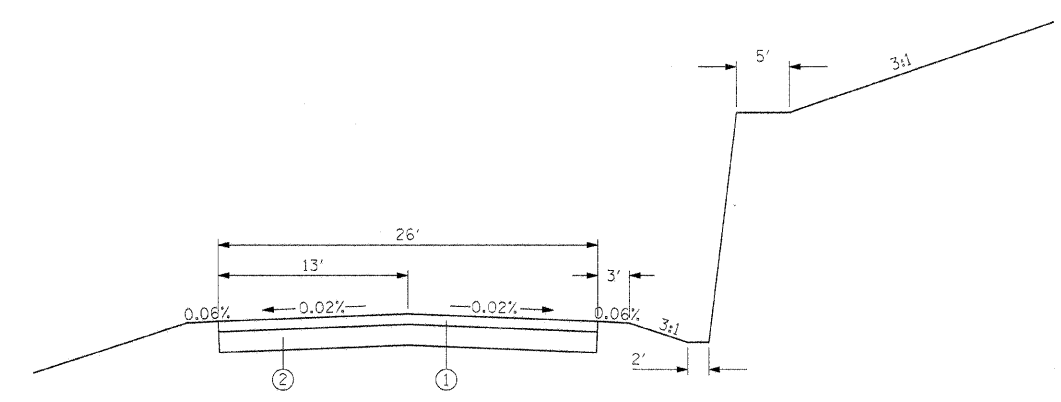
- 1 PROPOSED HOT-MIX ASPHALT SURFACE COURSE, MIX C, N 70, 2"
- 2 PROPOSED 10" AGGREGATE BASE COURSE
- 3 PROPOSED EARTH SHOULDERS
- 4 PROPOSED COMBINATION CONCRETE CURB AND GUTTER, TYPE B 6.12
- 5 PROPOSED LEVELING BINDER HAND METHOD, N 70
- 6 PROPOSED AGGREGATE BASE COURSE TYPE B
- 7 EXISTING AGGREGATE BASE COURSE (UNKNOWN DEPTH)
- 8 EXISTING ASPHALT SURFACE (UNKNOWN DEPTH)
- 9 EXISTING GROUND
- 10 EXISTING PORTLAND CEMENT CONCRETE
- 11 PROPOSED PORTLAND CEMENT CONCRETE PAVEMENT - 6"
- 12 HOT MIX ASPHALT SURFACE REMOVAL - BUTT JOINT
- 13 EXISTING GUTTER REMOVAL
- 14 EXISTING CONCRETE GUTTER
- 15 MILL SURFACE & LEAVE MILLINGS IN PLACE
- 16 PROPOSED CULVERT
- 17 EXISTING PARKING BLOCK
- 18 REMOVE EXISTING ASPHALT IN GUTTER (VARIOUS DEPTH)
- 19 PROPOSED CONCRETE CURB, TYPE B (DOWELLED)
- 20 PROPOSED 4" AGGREGATE BASE COURSE
- 21 SCARIFY EXISTING SURFACE
- 22 REMOVE AND REINSTALL PARKING BLOCK



PARKING LOT LT STA. 302+27  
 \*NOTE SAME ON OTHER SIDE



**A**  
 91 MAINTENANCE BUILDING SECTION



STA. 96+10 TO STA. 103+20  
 STA. 254+00 TO STA. 258+67  
 STA. 26 TO STA. 26

FILE NAME =	USER NAME = #USER#	DESIGNED - R.H.D.	REVISED -	<b>STATE OF ILLINOIS DEPARTMENT OF TRANSPORTATION</b>	<b>ARGYLE LAKE STATE PARK TYPICAL SECTIONS</b>			F.A. RTE.	SECTION	COUNTY	TOTAL SHEETS	SHEET NO.
#FILE#		DRAWN - S.D.K.	REVISED -		SCALE: 1" = 40'			ARGYLE LAKE STATE PARK	MCDONOUGH	162	5	
		CHECKED - T.T.P.	REVISED -		SHEET NO. 5 OF 162 SHEETS			CONTRACT NO. 46158				
		DATE - 12/09/10	REVISED -		STA. TO STA.			FED. ROAD DIST. NO. ILLINOIS FED. AID PROJECT				