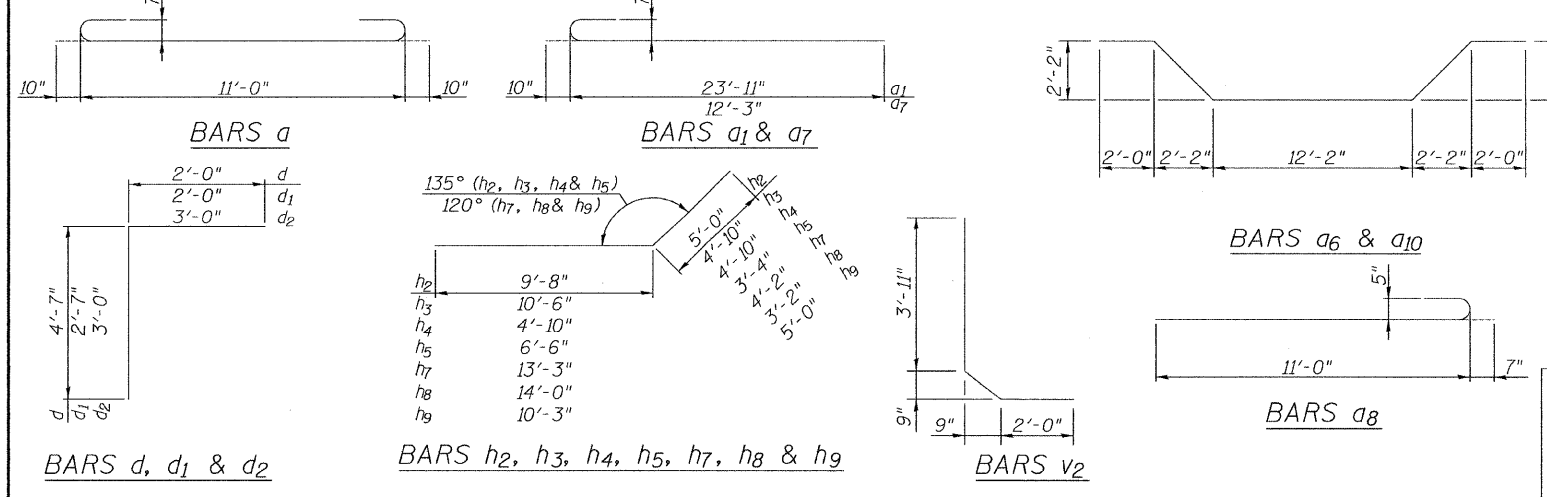
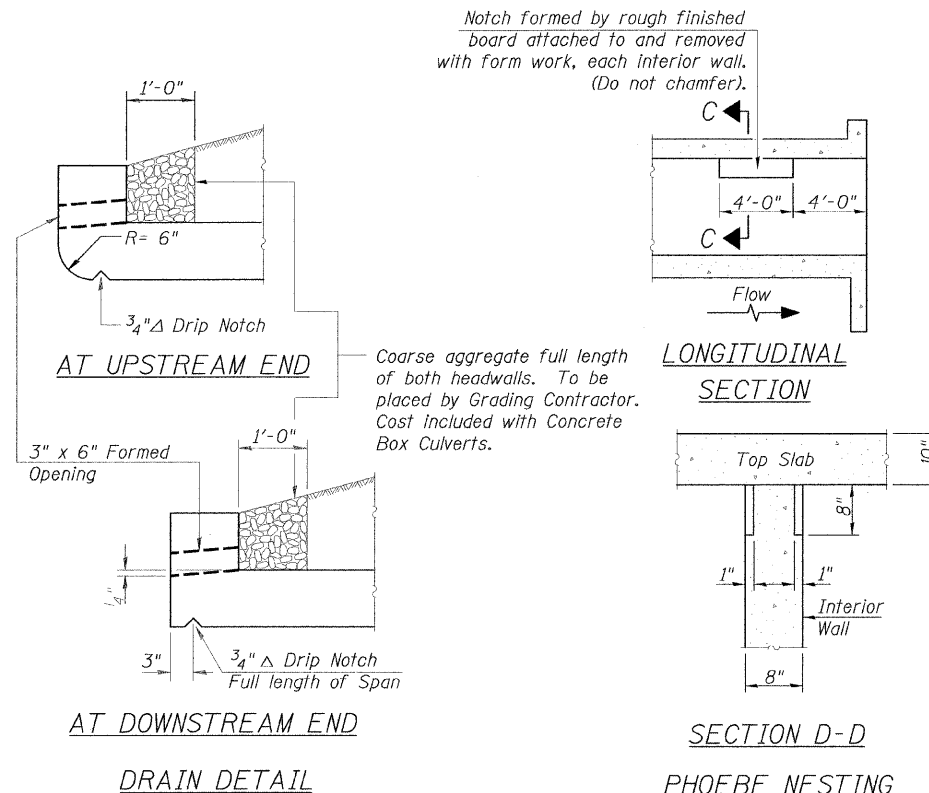
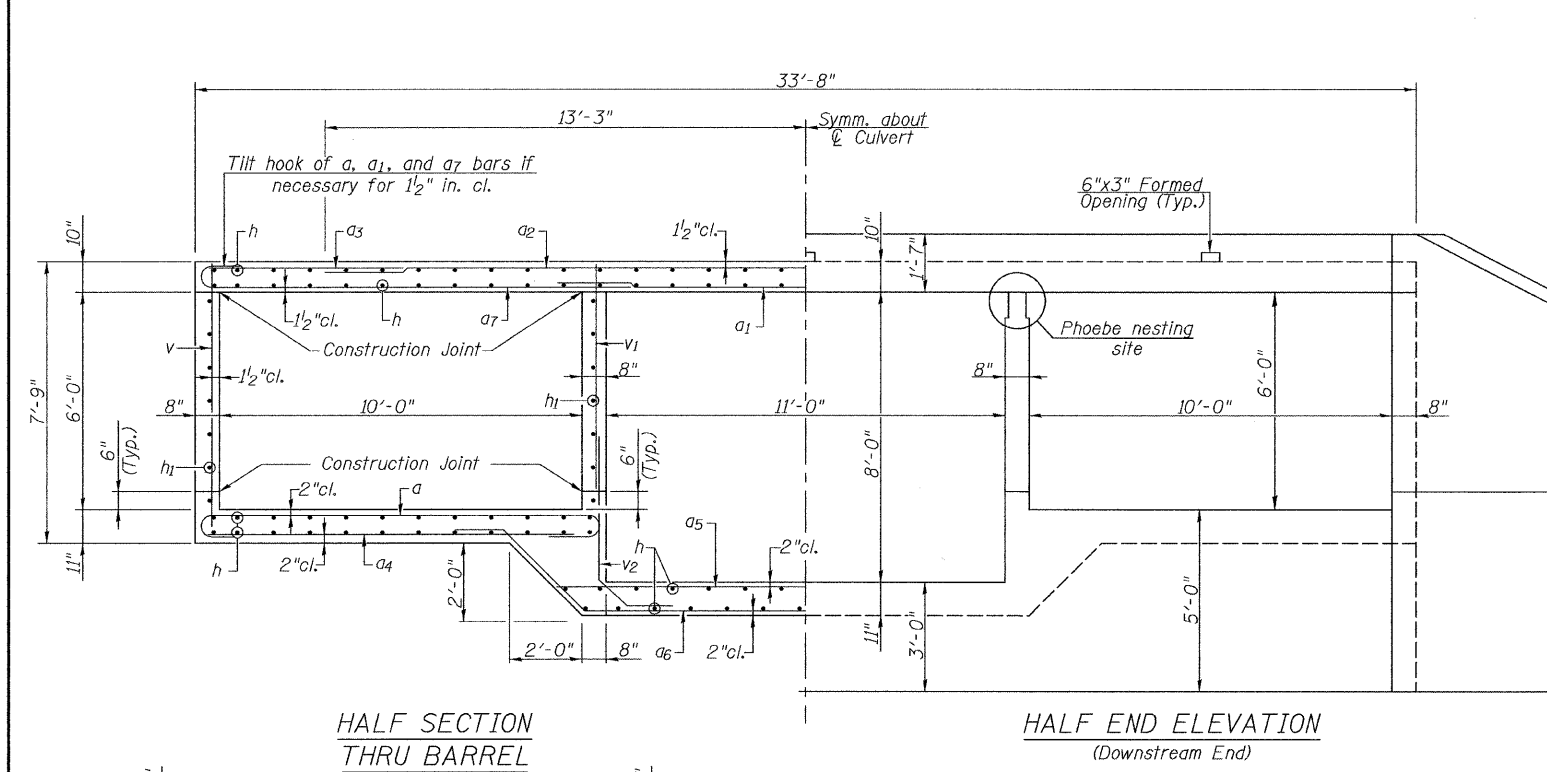
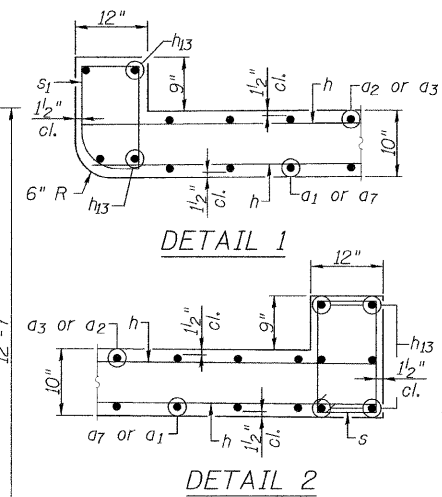


**NOTES**  
See Sheets 5 of 7 and 6 of 7 for wingwall reinforcement.



**BILL OF MATERIAL**

Bar	No.	Size	Length	Shape
a	106	#7	12'-8"	U
a1	51	#7	24'-9"	U
a2	51	#7	26'-6"	—
a3	102	#5	6'-3"	—
a4	122	#5	11'-0"	—
a5	53	#7	13'-4"	—
a6	53	#7	22'-4"	—
a7	51	#7	13'-1"	U
a8	16	#5	11'-7"	—
a9	8	#5	13'-3"	—
a10	8	#5	22'-4"	—
a11	28	#5	13'-10"	—
d	70	#4	6'-7"	—
d1	22	#4	4'-7"	—
d2	28	#5	6'-0"	—
h	286	#5	22'-8"	—
h1	56	#6	22'-10"	—
h2	10	#6	14'-8"	—
h3	12	#6	15'-4"	—
h4	6	#6	9'-8"	—
h5	16	#6	9'-10"	—
h6	8	#4	9'-8"	—
h7	12	#4	17'-5"	—
h8	12	#4	17'-2"	—
h9	8	#4	15'-3"	—
h10	71	#5	9'-0"	—
h11	6	#4	10'-9"	—
h12	56	#5	6'-4"	—
h13	8	#7	33'-4"	—
h14	6	#6	33'-4"	—
h15	8	#6	11'-0"	—
h16	2	#4	8'-2"	—
h17	4	#4	13'-8"	—
s	34	#4	4'-11"	—
s1	33	#4	4'-10"	—
v	122	#4	7'-4"	—
v1	118	#4	6'-1"	—
v2	118	#4	7'-0"	—
v3	10	#4	12'-2"	—
v4	30	#5	6'-11"	—
v5	7	#5	11'-10"	—
Concrete Box Culverts			Cu. Yd.	171.2
Reinforcement Bars			Pound	31070

**CULVERT DETAILS I  
STRUCTURE NO. 055-2009**

**Allen Henderson & Associates, Inc.**  
Civil and Structural Engineers Springfield, IL.  
62703 Phone: (217)544-8033 IL Design Firm  
No. 184-001907

SHEET NO. 4	RTE.	SECTION	COUNTY	TOTAL SHEETS	SHEET NO.
7 SHEETS	*	ARGYLE LAKE STATE PARK	McDONOUGH	162	97
		* PARK ROADS	CONTRACT NO. 46158		
		FED. ROAD DIST. NO.	ILLINOIS JOB NO. C-30-055-11		