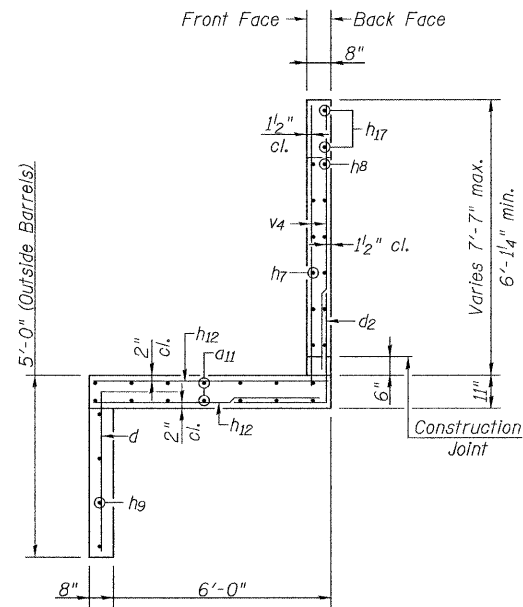
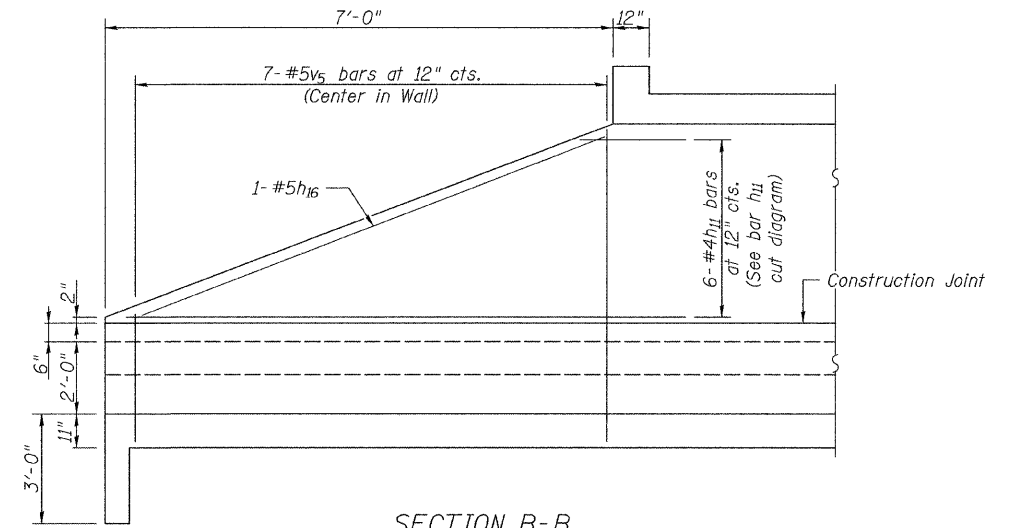


WINGWALL ELEVATION
(Floor Reinforcement Not Shown)

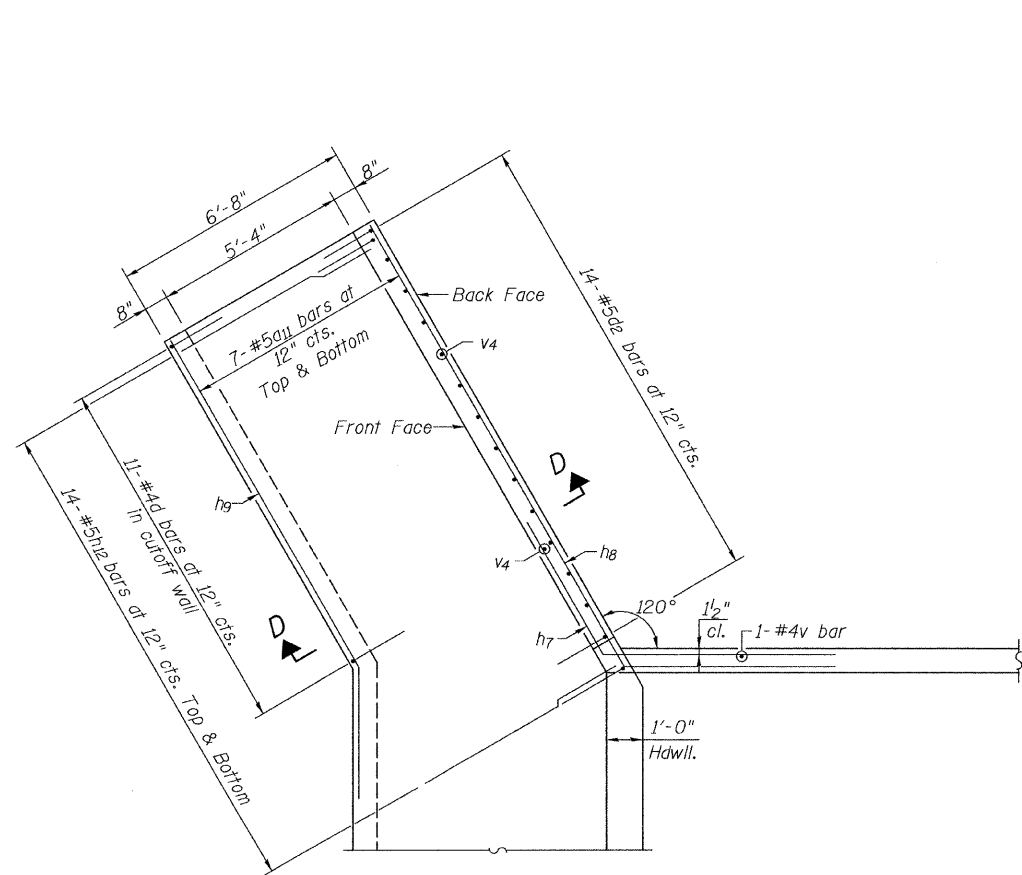
* Field cut as required



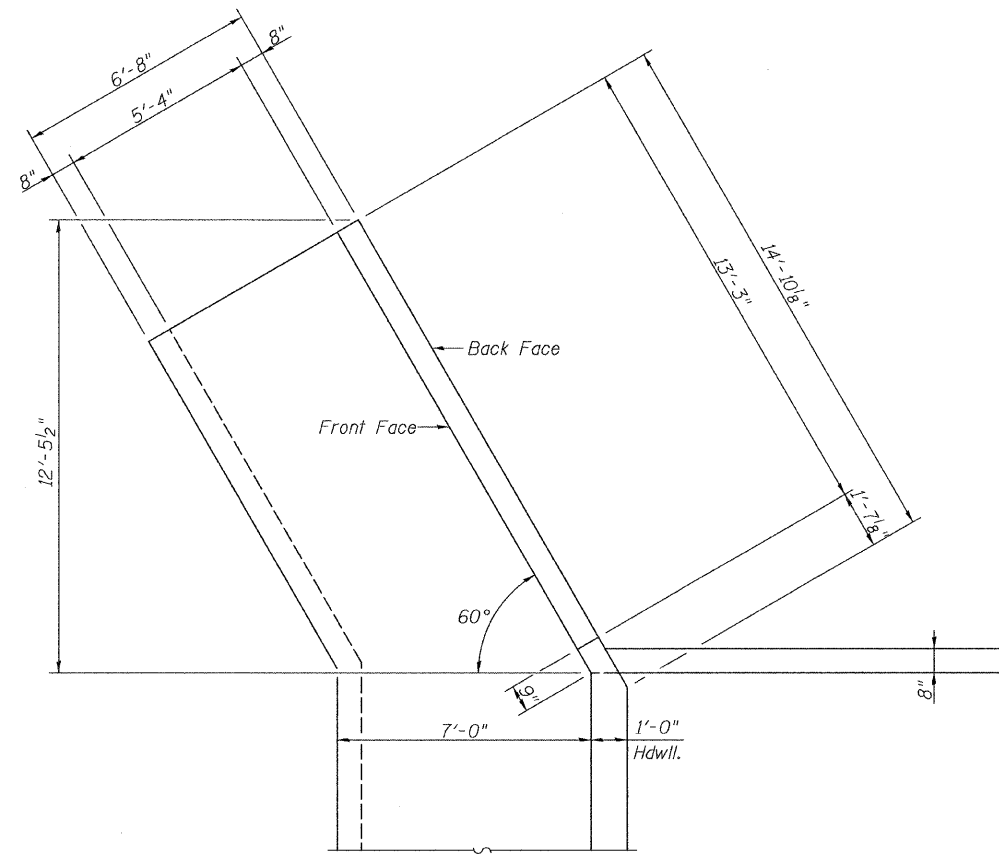
SECTION D-D



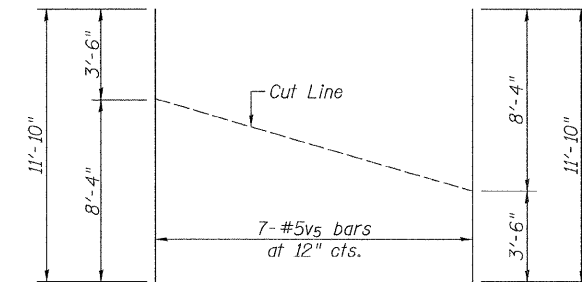
SECTION B-B
(Floor reinforcement not shown)



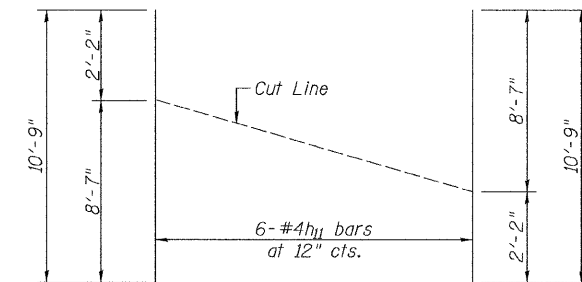
WINGWALL PLAN
(Upstream End)
(Showing Reinforcement)



WINGWALL PLAN
(Upstream End)



BAR v5 CUT DIAGRAM
Order v5 bars full length: Layout in field according to diagram. Cut v5 bars along cut line. Use remainder of each bar in opposite wall.



BAR h11 CUT DIAGRAM
Order h11 bars full length: Layout in field according to diagram. Cut h11 bars along cut line. Use remainder of each bar in opposite wall.

CULVERT DETAILS II
STRUCTURE NO. 055-2009



Allen Henderson & Associates, Inc.
Civil and Structural Engineers Springfield, IL
62703 Phone: (217)544-8033 IL Design Firm
No. 184-001907

SHEET NO. 5 7 SHEETS	RTE.	SECTION	COUNTY	TOTAL SHEETS	SHEET NO.
	*	ARGYLE LAKE STATE PARK	MCDONOUGH	162	98
	*	PARK ROADS	CONTRACT NO. 46158		
FED. ROAD DIST. NO.		ILLINOIS JOB NO. C-30-055-11			