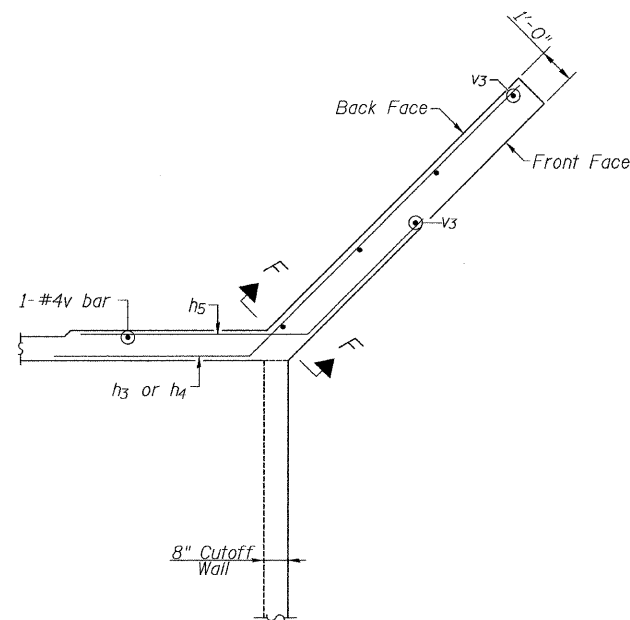
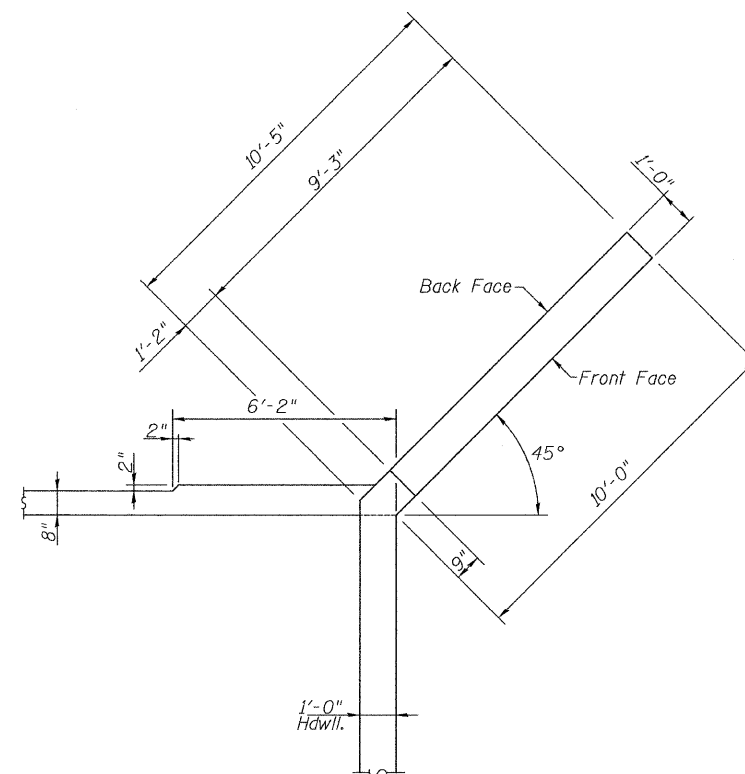


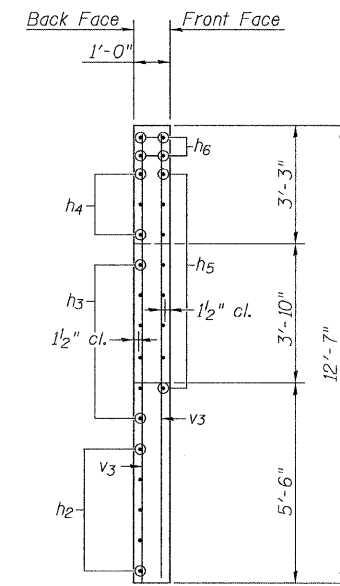
WINGWALL ELEVATION
(Downstream End)



SECTION E-E
(Downstream End)
(Showing Reinforcement)



CORNER DETAIL
(Downstream End)



SECTION F-F

CULVERT DETAILS III
STRUCTURE NO. 055-2009

	Allen Henderson & Associates, Inc. Civil and Structural Engineers Springfield, IL 62703 Phone: (217)544-8033 IL Design Firm No. 184-001907		SHEET NO. 6	RTE.	SECTION	COUNTY	TOTAL SHEETS	SHEET NO.
	7 SHEETS	*	ARGYLE LAKE STATE PARK	McDONOUGH	162	99		
		*	PARK ROADS	CONTRACT NO. 46158				
		FED. ROAD DIST. NO. _	ILLINOIS JOB NO. C-30-055-11					