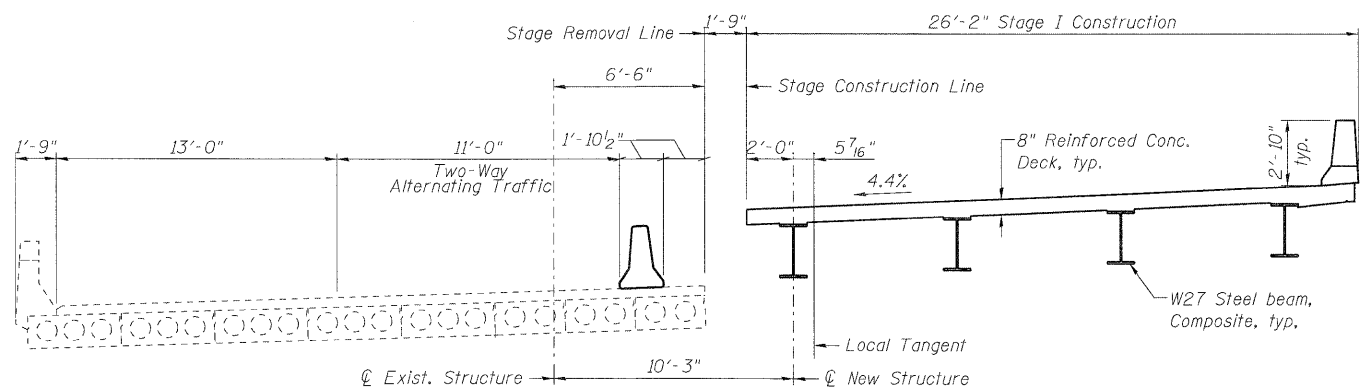
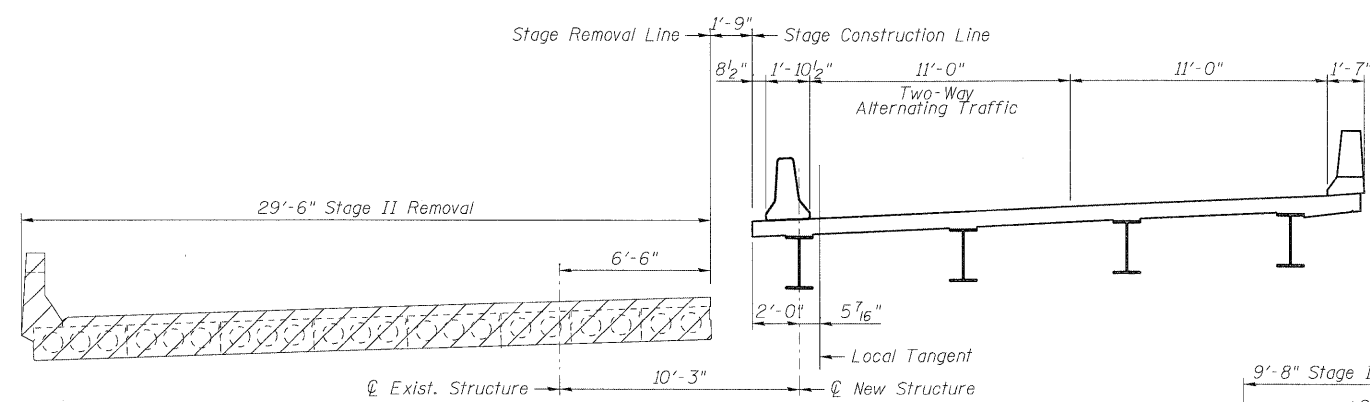


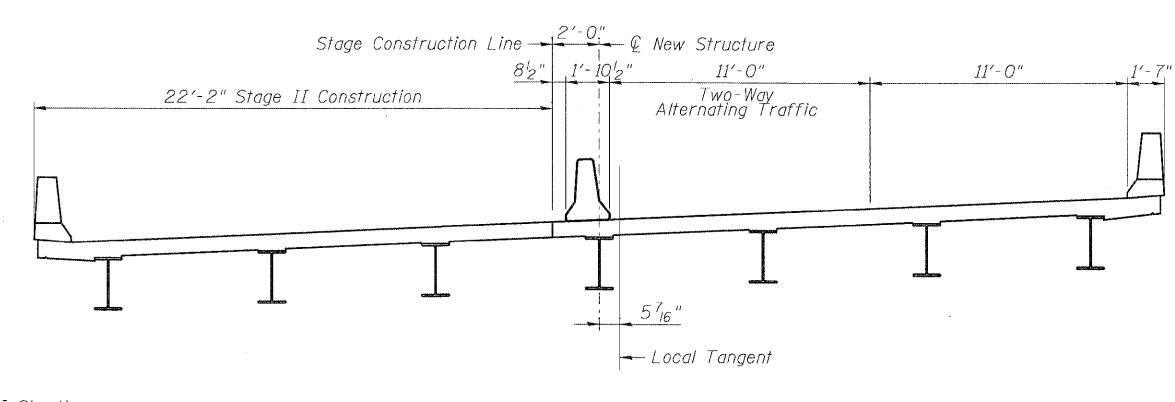
STAGE I REMOVAL



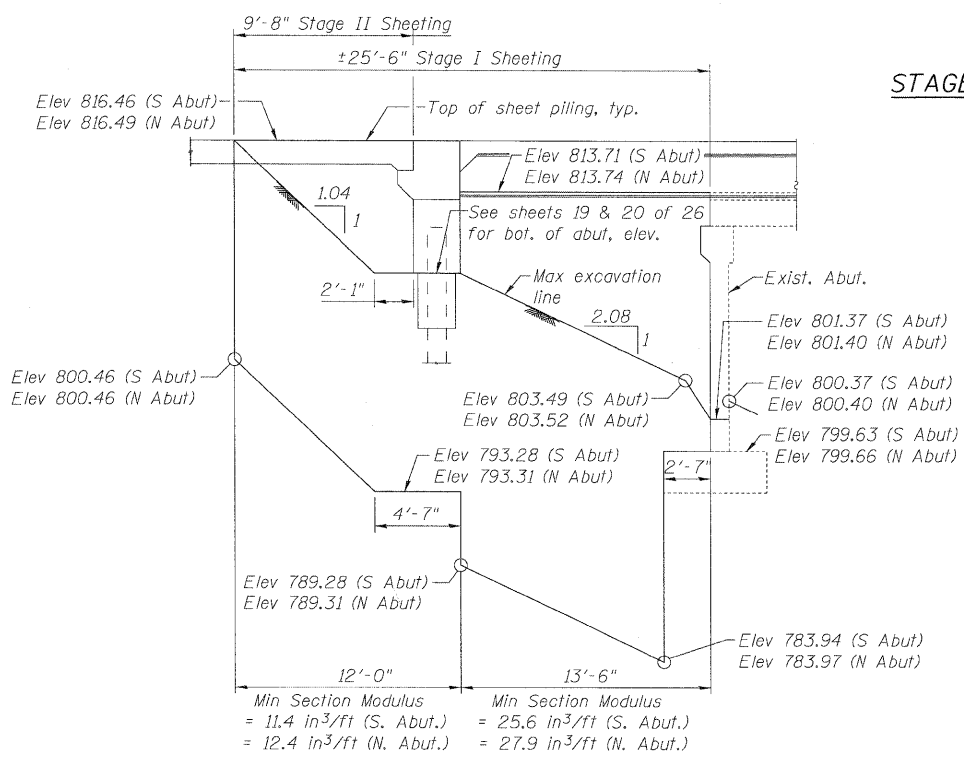
STAGE I CONSTRUCTION



STAGE II REMOVAL



STAGE II CONSTRUCTION



SHEET PILE ELEVATION

(South Abutment shown looking west, North Abutment Similar)

NOTES

- All Cross Sections looking North.
- Hatched area indicates Removal of Existing structures.
- Cost of removing existing concrete wearing surface, parapet, and PPC deck beams are included with Removal of Existing structures.
- For quantity of Temporary Concrete Barrier see Roadway Plans.
- For Temporary Concrete Barrier details see Sheet 5 of 26.

Note:
If the Contractor chooses to alter the temporary cantilevered sheet piling design requirements shown on the plans, a design submittal including plan details and calculations will be required for review and acceptance by the Engineer.
The Contractor shall connect the first sheet to the existing abutment wall to ensure stability of sheets driven to the top of the existing footing. This connection shall be reviewed and accepted by the Engineer and included in the cost for Temporary Sheet Piling.

DESIGNED - SLV	REVISSED -
CHECKED - MJM	REVISSED -
DRAWN - SLV	REVISSED -
CHECKED - DJB	REVISSED -

F.A.P. RTE.	SECTION	COUNTY	TOTAL SHEETS	SHEET NO.
324	24B-2	McHENRY	76	32
D-91-178-09			CONTRACT NO. 60F64	
ILLINOIS FED. AID PROJECT				