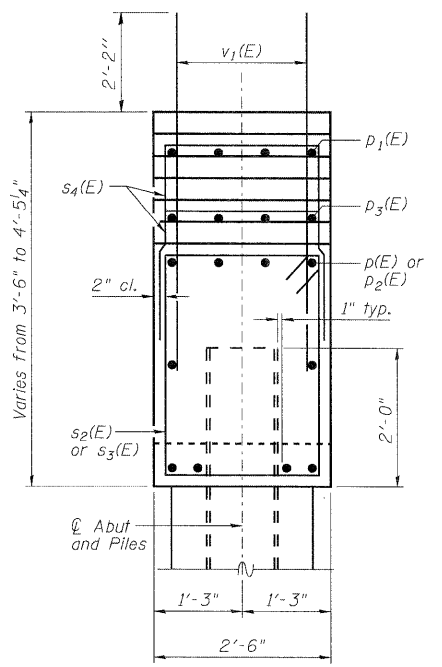


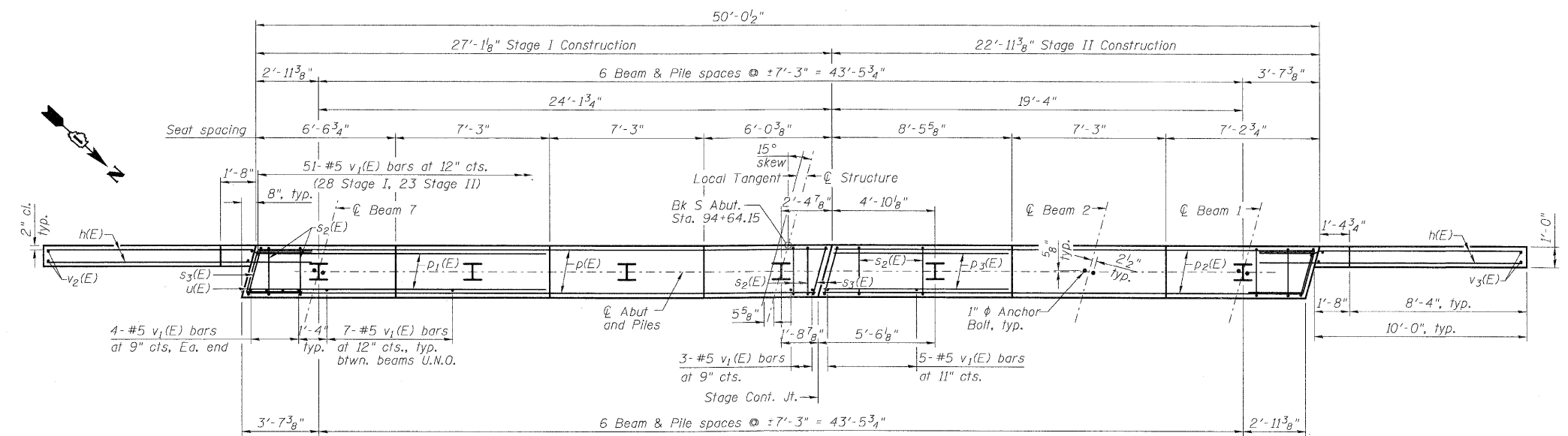
**ELEVATION**  
(Looking South)



**SEC. THRU ABUT.**  
(Dimensions at Rt. L's)

**BEAM SEAT ELEVATION TABLE**

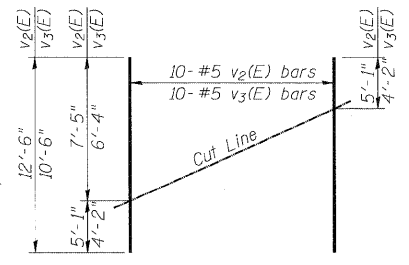
Location	Elev.
Beam 1	812.39
Beam 2	812.71
Beam 3	813.02
Beam 4	813.34
Beam 5	813.65
Beam 6	813.97
Beam 7	814.28



**PLAN**

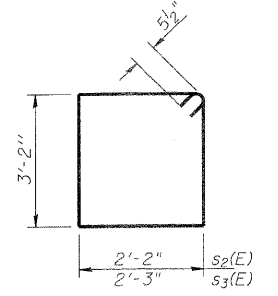
**PILE DATA**

Type: Steel HP 12x53 w/ metal shoes  
Nominal Required Bearing: 345 kips  
Factored Resistance Available: 190 kips  
Est. Length: 46 ft.  
No. Production Piles: 6  
No. Test Piles: 1

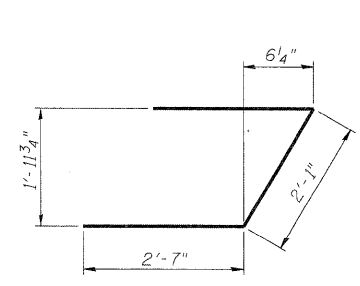


**FIELD CUTTING DIAGRAM**

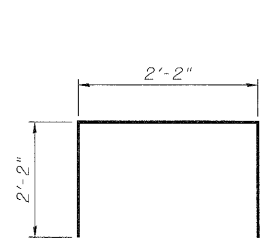
Order v<sub>2</sub>(E) and v<sub>3</sub>(E) full length. Cut as shown and use remainder of bars in opposite face.



**BARS s<sub>2</sub>(E) & s<sub>3</sub>(E)**



**BAR u(E)**



**BAR s<sub>4</sub>(E)**

**BILL OF MATERIAL**

Bar	No.	Size	Length	Shape
h(E)	52	#7	14'-0"	—
p(E)	10	#8	26'-10"	—
p <sub>1</sub> (E)	4	#5	14'-2"	—
p <sub>2</sub> (E)	10	#8	21'-8"	—
p <sub>3</sub> (E)	4	#5	8'-10"	—
s <sub>2</sub> (E)	45	#5	11'-7"	□
s <sub>3</sub> (E)	4	#5	11'-9"	□
s <sub>4</sub> (E)	25	#5	6'-6"	□
u(E)	7	#6	7'-3"	└
v <sub>1</sub> (E)	102	#5	4'-4"	—
v <sub>2</sub> (E)	10	#5	12'-6"	—
v <sub>3</sub> (E)	10	#5	10'-6"	—
Structure Excavation		Cu. Yd.	202	
Concrete Structures		Cu. Yd.	28.1	
Porous Granular Embankment (Special)		Cu. Yd.	82	
Geocomposite Wall Drain		Sq. Yd.	36	
Pipe Underdrains for Structures 4"		Foot	80	
Reinforcement Bars, Epoxy Coated		Pound	4420	
Bar Splicers		Each	8	
Furnishing Steel Piles HP 12x53		Foot	276	
Driving Piles		Foot	276	
Test Pile Steel HP 12x53		Each	1	
Pile Shoes		Each	7	
Concrete Encasement		Cu. Yd.	2.5	

Notes:  
Pour steps monolithically with cap.  
Space reinforcement in cap to miss anchor bolts.  
For details of Bar Splicers, see Sheet 23 of 26  
For details of Piles and Concrete Encasement, see Sheet 22 of 26  
For details of Integral Abutment Bearing, see Sheet 18 of 26  
For drainage details, see Section Thru Integral Abutment on Sheet 3 of 26