

**STANDARD BAR SPLICER ASSEMBLY**

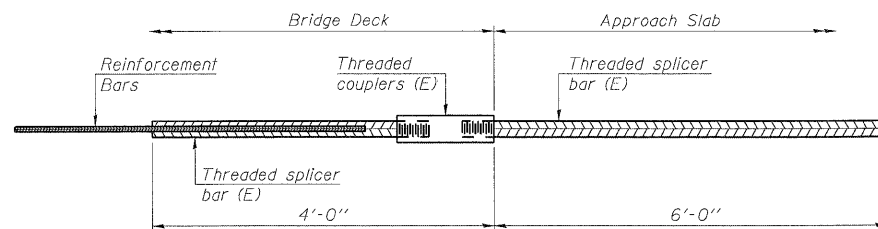
Bar size to be spliced	Minimum Lap Lengths				
	Table 1	Table 2	Table 3	Table 4	Table 5
3, 4	1'-5"	1'-11"	2'-1"	2'-4"	2'-3"
5	1'-9"	2'-5"	2'-7"	2'-11"	2'-10"
6	2'-1"	2'-11"	3'-1"	3'-6"	3'-4"
7	2'-9"	3'-10"	4'-2"	4'-8"	4'-6"
8	3'-8"	5'-1"	5'-5"	6'-2"	5'-10"
9	4'-7"	6'-5"	6'-10"	7'-9"	7'-5"

- Table 1: Black bar, 0.8 Class C
- Table 2: Black bar, Top bar lap, 0.8 Class C
- Table 3: Epoxy bar, 0.8 Class C
- Table 4: Epoxy bar, Top bar lap, 0.8 Class C
- Table 5: Epoxy bar, Top bar lap, Class B

Threaded splicer bar length = min. lap length + 1/2" + thread length

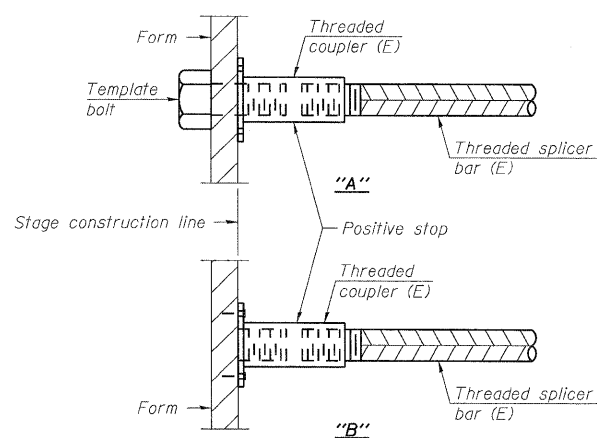
\* Epoxy not required on Bar Splicer Assembly components used in conjunction with black bars.

Location	Bar size	No. assemblies required	Table for minimum lap length
Concrete Deck	#5	465	Table 3
Top of Approach Slabs	#4	50	Table 3
Bottom of Approach Slabs	#5	92	Table 3
Approach Slab Foundations	#5	80	Table 3
Bk. of S. Abut. Diaphragm	#6	5	Table 3
Bk. of N. Abut. Diaphragm	#6	5	Table 3
South Abutment	#8	8	Table 4
North Abutment	#8	8	Table 4
Piers 1 & 2	#5	52	Table 4
Pier Caps 1 & 2	#7	24	Table 4



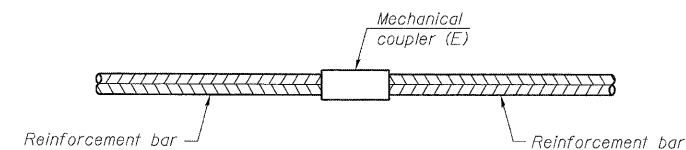
**BAR SPLICER ASSEMBLY FOR #5 BAR ON INTEGRAL OR SEMI-INTEGRAL ABUTMENTS**

No. required = 96



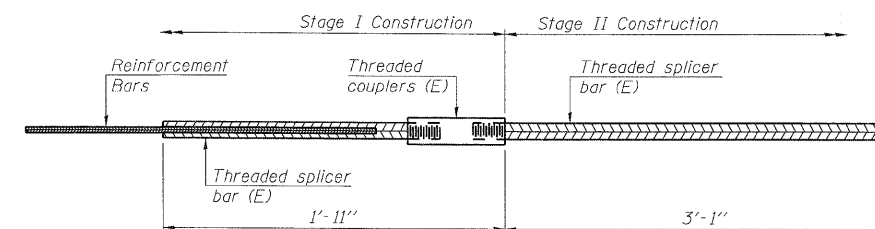
**INSTALLATION AND SETTING METHODS**

"A": Set bar splicer assembly by means of a template bolt.  
 "B": Set bar splicer assembly by nailing to wood forms or cementing to steel forms.  
 (E) : Indicates epoxy coating.



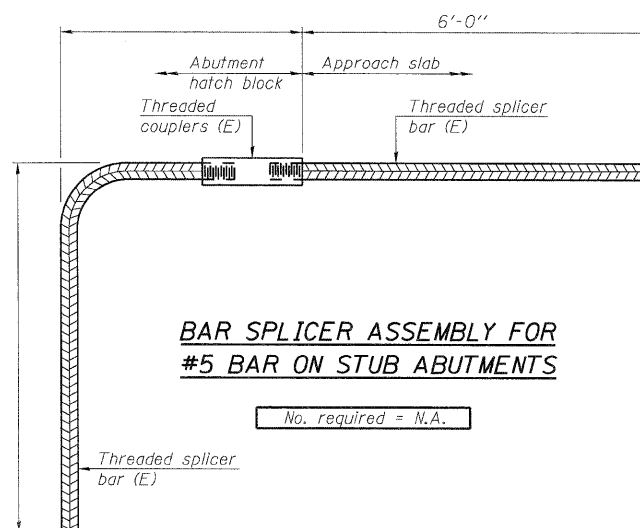
**STANDARD MECHANICAL SPLICER**

Location	Bar size	No. assemblies required



**BAR SPLICER ASSEMBLY FOR #6 BAR IN FRONT FACE OF ABUTMENT DIAPHRAGMS**

No. required = 6



**BAR SPLICER ASSEMBLY FOR #5 BAR ON STUB ABUTMENTS**

No. required = N.A.

**NOTES**

Splicer bars shall be deformed with threaded ends and have a minimum 60 ksi yield strength.  
 All reinforcement shall be lapped and tied to the splicer bars.  
 Bar splicer assemblies shall be epoxy coated according to the requirements for reinforcement bars. See Section 508 of the Standard Specifications.  
 See special provision for Mechanical Splicers.  
 See approved list of bar splicer assemblies and mechanical splicers for alternatives.