

IL-55
 PROPOSED TYPICAL CROSS SECTION
 STA. 43+91 TO STA. 681+05

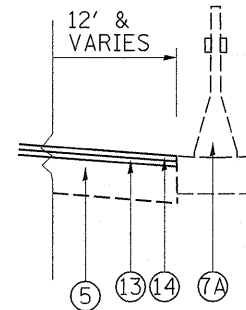
LEGEND

- ① EXISTING HOT-MIX ASPHALT SURF. CSE., ± 5"
- ② EXISTING P.C.C. PAVEMENT, 10"
- ②A EXISTING HOT-MIX ASPHALT SURFACE AFTER MILLING, ± 2 3/4"
- ③ EXISTING SUB-BASE GRAN. MATL., 4"
- ④ EXISTING AGGREGATE SUBGRADE, 12"
- ⑤ EXISTING HOT-MIX ASPHALT SHOULDER
- ⑥ EXISTING CONC. BINDER CSE. MIX B, TYPE 1
- ⑥A EXISTING PIPE UNDERDRAIN
- ⑦ EXISTING AGGREGATE SHOULDER TYPE "B"
- ⑦A EXISTING CONC BARRIER WALL DOUBLE FACE (2'-3' WIDE)
- ⑧ PROPOSED HOT-MIX ASPHALT SURFACE REMOVAL, 2 1/4" (RAMPS)
- ⑨ PROPOSED HOT-MIX ASPHALT SURFACE REMOVAL, 4" (MAINLINE)
- ⑩ PROPOSED HOT-MIX ASPHALT SURFACE REMOVAL, 3 3/4" (OUTSIDE & INSIDE SHOULDER)
- ⑪ PROPOSED POLYMERIZED HOT-MIX ASPHALT BINDER COURSE, STONE MATRIX ASPHALT, N80, 2"
- ⑫ PROPOSED POLYMERIZED HOT-MIX ASPHALT SURFACE COURSE, STONE MATRIX ASPHALT, N80, 2"
- ⑬ PROPOSED HOT-MIX ASPHALT BINDER COURSE, IL-19, N70, 2 1/4"
- ⑭ PROPOSED HOT-MIX ASPHALT SURFACE COURSE, MIX. "D", N70, 1 1/2"
- ⑮ PROPOSED SHOULDER RUMBLE STRIP
- ⑯ PROPOSED AGGREGATE WEDGE SHOULDER, TYPE "B"
- ⑰ PROPOSED GRADING AND SHAPING SHOULDER
- ⑱ PROPOSED POLYMERIZED LEVELING BINDER, IL-4.75, N50, 3/4"

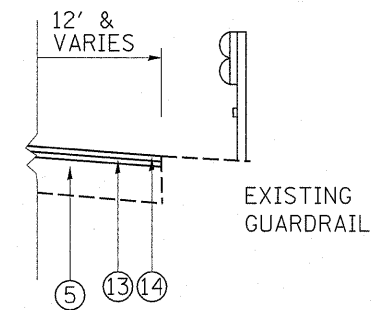
NOTE:

- CONTRACTOR SHALL PATCH BEFORE MILLING

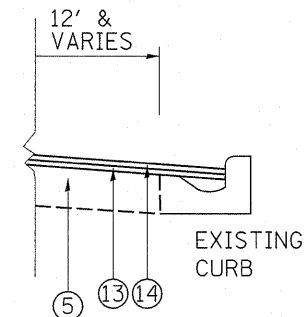
PROPOSED TYPICAL CROSS SECTION



PROPOSED TYPICAL CROSS SECTION



PROPOSED TYPICAL CROSS SECTION



FILE NAME =	USER NAME = qureshya	DESIGNED -	REVISED -	STATE OF ILLINOIS DEPARTMENT OF TRANSPORTATION	IL. ROUTE 55 TYPICAL SECTION FOR MAINLINE		F.A.I. RTE. 55	SECTION *	COUNTY COOK	TOTAL SHEETS 197	SHEET NO. 6	
cr:\pwork\p\pidot\qureshya\00187440\DI1310-sh-t-plan.dgn		DRAWN -	REVISED -		SCALE:	SHEET NO. OF SHEETS	STA. TO STA.	CONTRACT NO. 60164				
		CHECKED -	REVISED -		ILLINOIS FED. AID PROJECT							
		DATE -	REVISED -		*(0102-621, ETC, 0507-635K) RS-3							