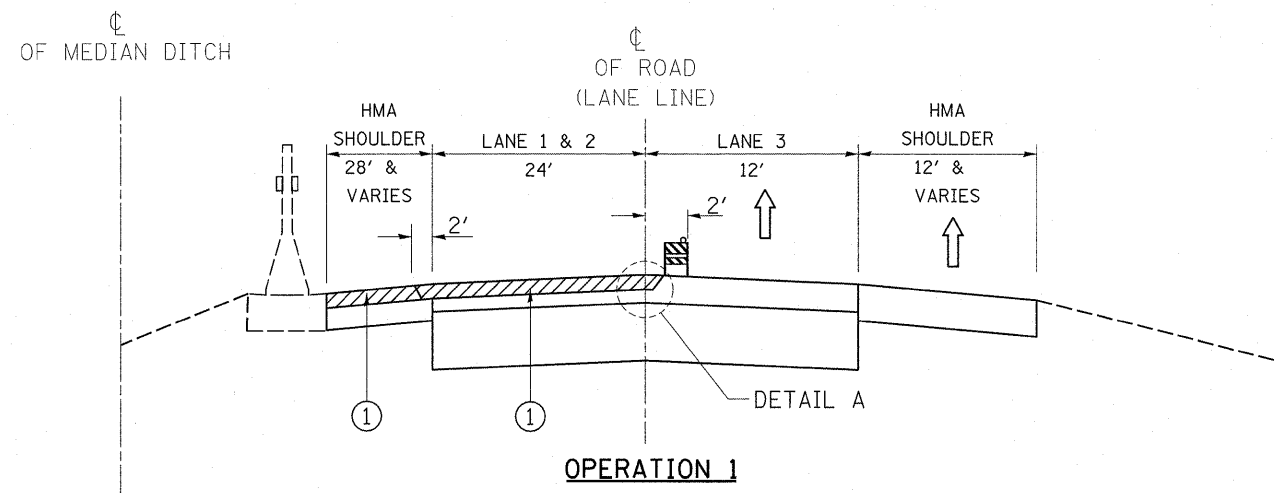


PRE-OPERATION 1

PATCHING WORK TO BE DONE BEFORE MILLING

IL.-55 (SOUTH BOUND) & (NORTH BOUND)



OPERATION 1

- * ① MILL 2" LANE 1, LANE 2 & INNER SHOULDER
- ② EPOXY PAVEMENT MARKING, 5" LANE LINE (SKIP-DASH)
- ②A EPOXY PAVEMENT MARKING, 4" (EDGE LINE)

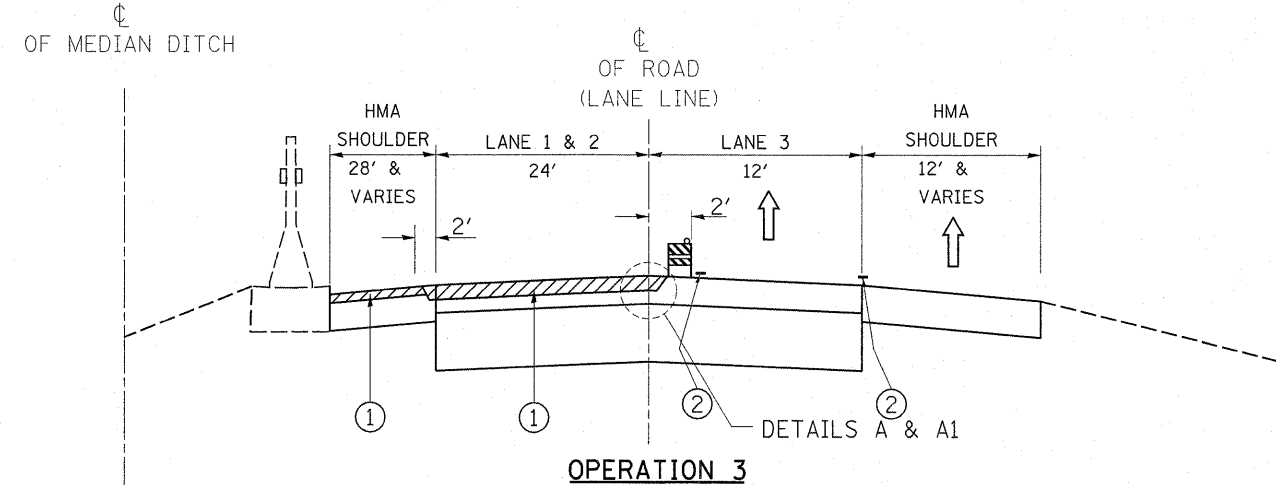
NOTE:

- 1. GRADE DIFFERENTIAL BETWEEN LANES SHALL NOT EXCEED 2"
- 2. BARRICADES/DRUMS TO BE PLACED ON THE SHOULDER WITHIN 2' OF THE EDGE OF THE PAVEMENT DURING NON-WORKING HOURS

PRE-OPERATION 1

PATCHING WORK TO BE DONE BEFORE MILLING

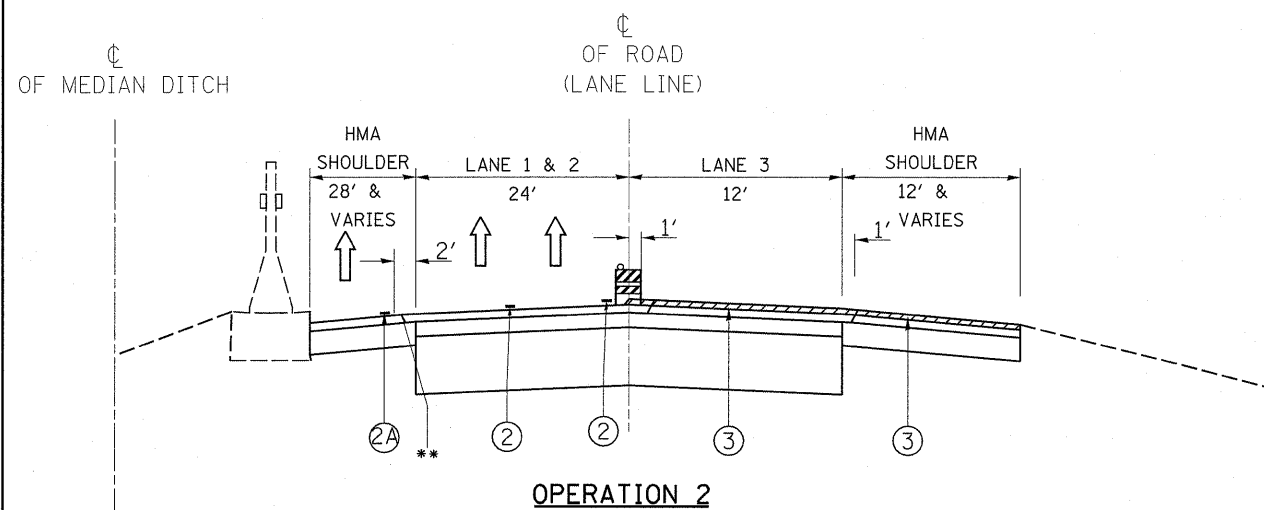
IL.-55 (SOUTH BOUND) & (NORTH BOUND)



OPERATION 3

- * ① MILL 2" LANE 1 & LANE 2 & MILL 1 3/4" INNER SHOULDER AND PLACE POLY. SMA BINDER COURSE 2" ON LANE 1 & LANE 2 AND HMA BINDER COURSE, N70, 2 1/4" ON INNER SHOULDER SAME NIGHT
- ② EPOXY PAVEMENT MARKING, 5" LANE LINE (SKIP-DASH)
- ②A EPOXY PAVEMENT MARKING, 4" (EDGE LINE)

IL.-55 (SOUTH BOUND) & (NORTH BOUND)



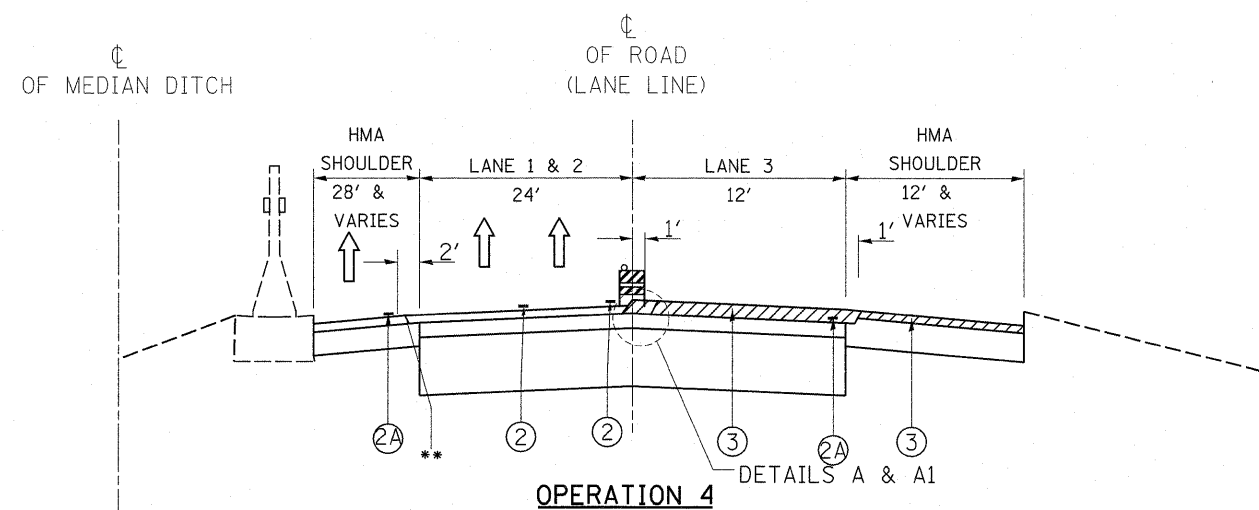
OPERATION 2

- * ① MILL 2" LANE 1, LANE 2 & INNER SHOULDER
- ② EPOXY PAVEMENT MARKING, 5" LANE LINE (SKIP-DASH)
- ②A EPOXY PAVEMENT MARKING, 4" (EDGE LINE)
- ** ③ MILL 2" LANE 3 & OUTER SHOULDER

NOTE:

- 1. GRADE DIFFERENTIAL BETWEEN LANES SHALL NOT EXCEED 2"
- 2. BARRICADES/DRUMS TO BE PLACED ON THE SHOULDER WITHIN 2' OF THE EDGE OF THE PAVEMENT DURING NON-WORKING HOURS

IL.-55 (SOUTH BOUND) & (NORTH BOUND)



OPERATION 4

- ② WET REFLECTIVE TEMPORARY TAPE, TYPE III, 5" LANE LINE (SKIP-DASH)
- ②A WET REFLECTIVE TEMPORARY TAPE, TYPE III, 4" (EDGE LINE)
- * ③ MILL 2" LANE 3 & MILL 1 3/4" OUTER SHOULDER AND PLACE POLY. SMA BINDER COURSE 2" ON LANE 3 AND HMA BINDER COURSE, N70, 2 1/4" ON OUTER SHOULDER

FILE NAME =	USER NAME = qureshya	DESIGNED -	REVISED -
c:\pwork\pwork\qureshya\d0187440\011318-sht-plendgn		DRAWN -	REVISED -
PLOT SCALE = 52.9486' / IN.		CHECKED -	REVISED -
PLOT DATE = 1/3/2011		DATE -	REVISED -

**STATE OF ILLINOIS
DEPARTMENT OF TRANSPORTATION**

**IL. ROUTE 55
SUGGESTED SEQUENCE OF OPERATIONS**

SCALE: SHEET NO. 1 OF 1 SHEETS STA. TO STA.

F.A.I. RTE. 55	SECTION *	COUNTY COOK	TOTAL SHEETS 197	SHEET NO. 8
ILLINOIS FED. AID PROJECT			CONTRACT NO. 60164	