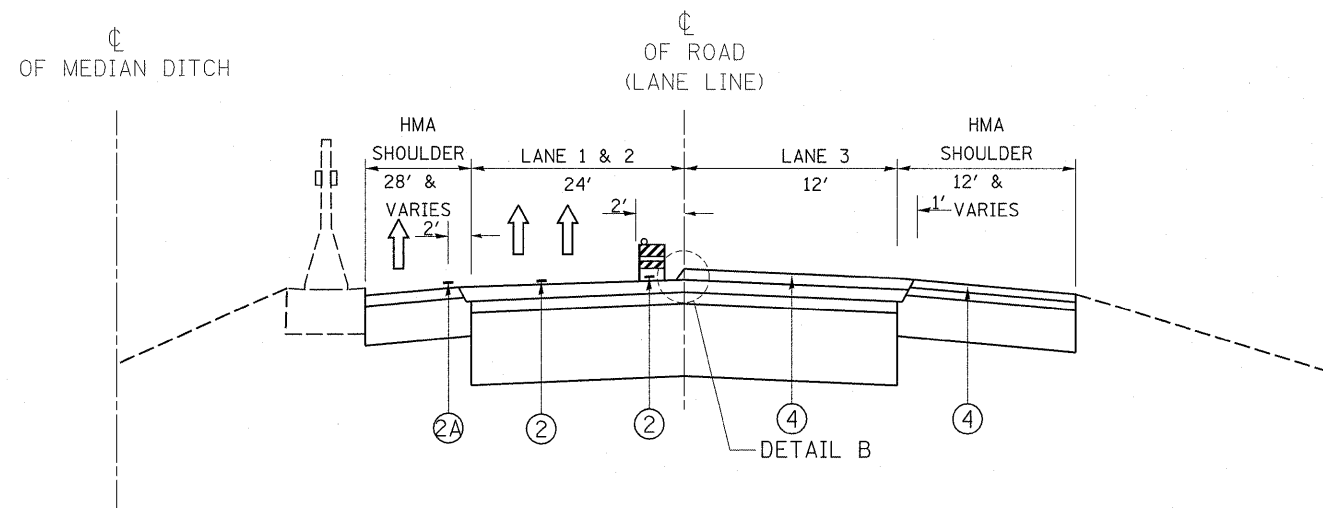


IL.-55 (SOUTH BOUND) & (NORTH BOUND)



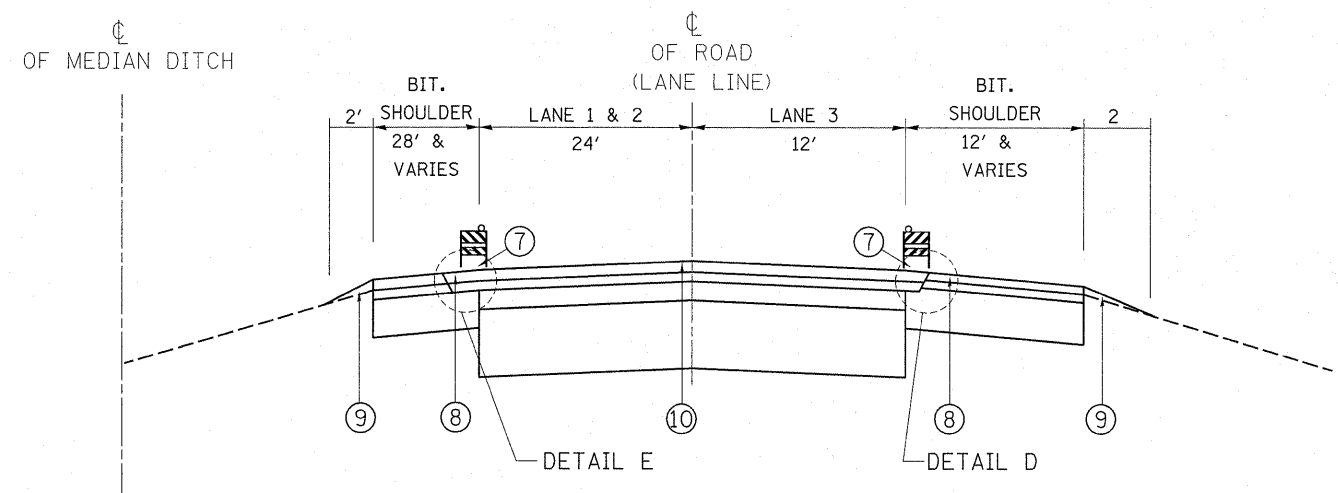
**OPERATION 5**

- ④ PLACE POLY. SMA SURFACE COURSE 2" ON LANE 3 AND HMA SURFACE COURSE, MIX "D" 1 1/2" ON OUTER SHOULDER

**NOTE:**

- 1. GRADE DIFFERENTIAL BETWEEN LANES SHALL NOT EXCEED 2"
- 2. BARRICADES/DRUMS TO BE PLACED ON THE SHOULDER WITHIN 2' OF THE EDGE OF THE PAVEMENT DURING NON-WORKING HOURS

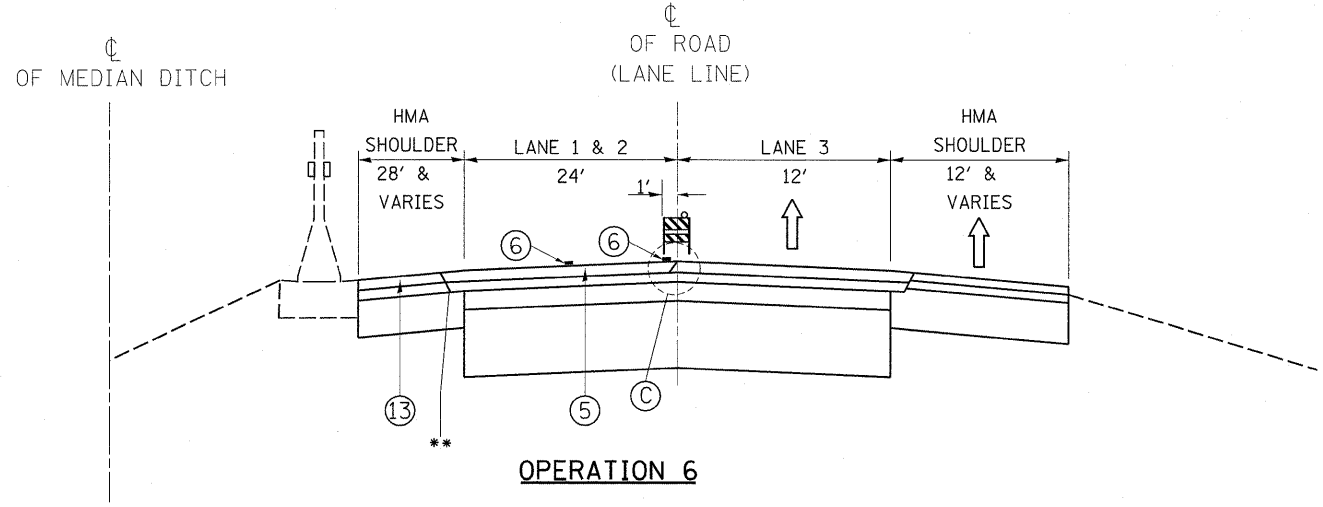
IL.-55 (SOUTH BOUND) & (NORTH BOUND)



**OPERATION 7**

- ⑦ FINAL PAVEMENT MARKING WITH THERMOPLASTIC PAVEMENT MARKING, LINE 4"
- ⑧ INSTALL RUMBLE STRIPS ON INNER SHOULDER AS PER DETAIL ON PLAN (SHEET 153) AND OUTER SHOULDER AS PER STATE STANDARD.
- ⑨ PLACE AGGREGATE WEDGE SHOULDER, TYPE B, WHERE APPLICABLE.
- ⑩ PLACE RAISED REFLECTIVE PAVEMENT MARKERS AT LANE LINE AND RAMPS.

IL.-55 (SOUTH BOUND) & (NORTH BOUND)



**OPERATION 6**

- ⑤ PLACE POLY. SMA SURFACE COURSE 2" ON LANE 1 AND LANE 2 AND HMA SURFACE COURSE, MIX "D" 1 1/2" ON INSIDE SHOULDER
- ⑥ FINAL PAVEMENT MARKING WITH PREFORMED PLASTIC PAVEMENT MARKING TYPE B- INLAID-LINE 5"

**NOTE:**

- 1. GRADE DIFFERENTIAL BETWEEN LANES SHALL NOT EXCEED 2"
- 2. BARRICADES/DRUMS TO BE PLACED ON THE SHOULDER WITHIN 2' OF THE EDGE OF THE PAVEMENT DURING NON-WORKING HOURS

\*\* OPTIONAL JOINT

FILE NAME =	USER NAME = qureshija	DESIGNED -	REVISED -	<b>STATE OF ILLINOIS DEPARTMENT OF TRANSPORTATION</b>	IL. ROUTE 55 SUGGESTED SEQUENCE OF OPERATIONS		F.A.I. RTE. 55	SECTION *	COUNTY COOK	TOTAL SHEETS 197	SHEET NO. 9	
ct:\pwork\p\dot\qureshija\d0187440\DI11310-sht-plan.dgn	PLOT SCALE = 52,9406' / IN.	DRAWN -	REVISED -		SCALE:	SHEET NO. 1 OF 1 SHEETS	STA.	TO STA.	CONTRACT NO. 60164			
	PLOT DATE = 1/3/2011	CHECKED -	REVISED -		ILLINOIS FED. AID PROJECT							
		DATE -	REVISED -		*(0102-621, ETC, 0507-635K) RS-3							