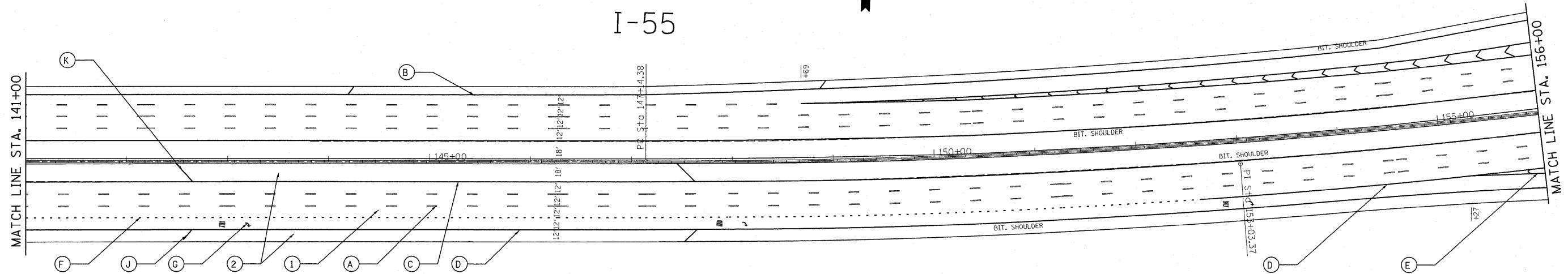
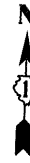


I-55



- ① PROP. HOT-MIX ASPHALT SURFACE REMOVAL, 4"
PROP. POLYMERIZED HMA SURFACE COURSE, SMA, N80, 2"
PROP. POLYMERIZED HMA BINDER COURSE, SMA, N80, 2"
- ② PROP. HOT-MIX ASPHALT SURFACE REMOVAL, 3 3/4"
PROP. HMA SURFACE COURSE, MIX. "D", N70, 1 1/2"
PROP. HMA BINDER COURSE, IL-19, N70, 2 1/4"
- ③ PROP. HOT-MIX ASPHALT SURFACE REMOVAL, 2 1/4"
PROP. HMA SURFACE COURSE, MIX. "D", N70, 1 1/2"
PROP. POLY. LEVELING BINDER, IL-4.75, N50, 3/4"

- Ⓐ PROP. PREFORMED PLASTIC PAVEMENT MARKING, TYPE B-INLAID-LINE 5" (TYP.)
- Ⓑ PROP. THERMOPLASTIC PAVEMENT MARKING-LINE 4", WHITE (TYP.)
- Ⓒ PROP. THERMOPLASTIC PAVEMENT MARKING-LINE 4", YELLOW (TYP.)
- Ⓓ PROP. THERMOPLASTIC PAVEMENT MARKING-LINE 8", WHITE (TYP.)
- Ⓔ PROP. THERMOPLASTIC PAVEMENT MARKING-LINE 12", 30' SPACING, WHITE (TYP.)
- Ⓕ PROP. THERMOPLASTIC PAVEMENT MARKING-LINE 8", 3' DASH-9' SKIP, WHITE (TYP.)
- Ⓖ PROP. THERMOPLASTIC PAVEMENT MARKING LETTERS AND SYMBOLS, WHITE (TYP.)
- Ⓗ PROP. THERMOPLASTIC PAVEMENT MARKING STOP LINE 24", WHITE (TYP.)
- Ⓘ PROP. THERMOPLASTIC PAVEMENT MARKING TURN LINE 6", WHITE (TYP.)
- Ⓝ PROP. THERMOPLASTIC PAVEMENT MARKING-LINE 12", 500' SPACING, WHITE (TYP.)
- Ⓚ PROP. THERMOPLASTIC PAVEMENT MARKING-LINE 12", 500' SPACING, YELLOW (TYP.)

FILE NAME =	USER NAME = qureshiya	DESIGNED -	REVISED -
cs:\pv_work\pwi\dot\qureshiya\08187440\011310-shr-plan.dgn		DRAWN -	REVISED -
PLOT SCALE = 52.9406' / IN.		CHECKED -	REVISED -
PLOT DATE = 1/3/2011		DATE -	REVISED -

STATE OF ILLINOIS
DEPARTMENT OF TRANSPORTATION

SCALE: SHEET NO. OF SHEETS STA. TO STA.

F.A.I. RTE.	SECTION	COUNTY	TOTAL SHEETS	SHEET NO.
55	*	COOK	197	21
ILLINOIS FED. AID PROJECT			CONTRACT NO. 60164	