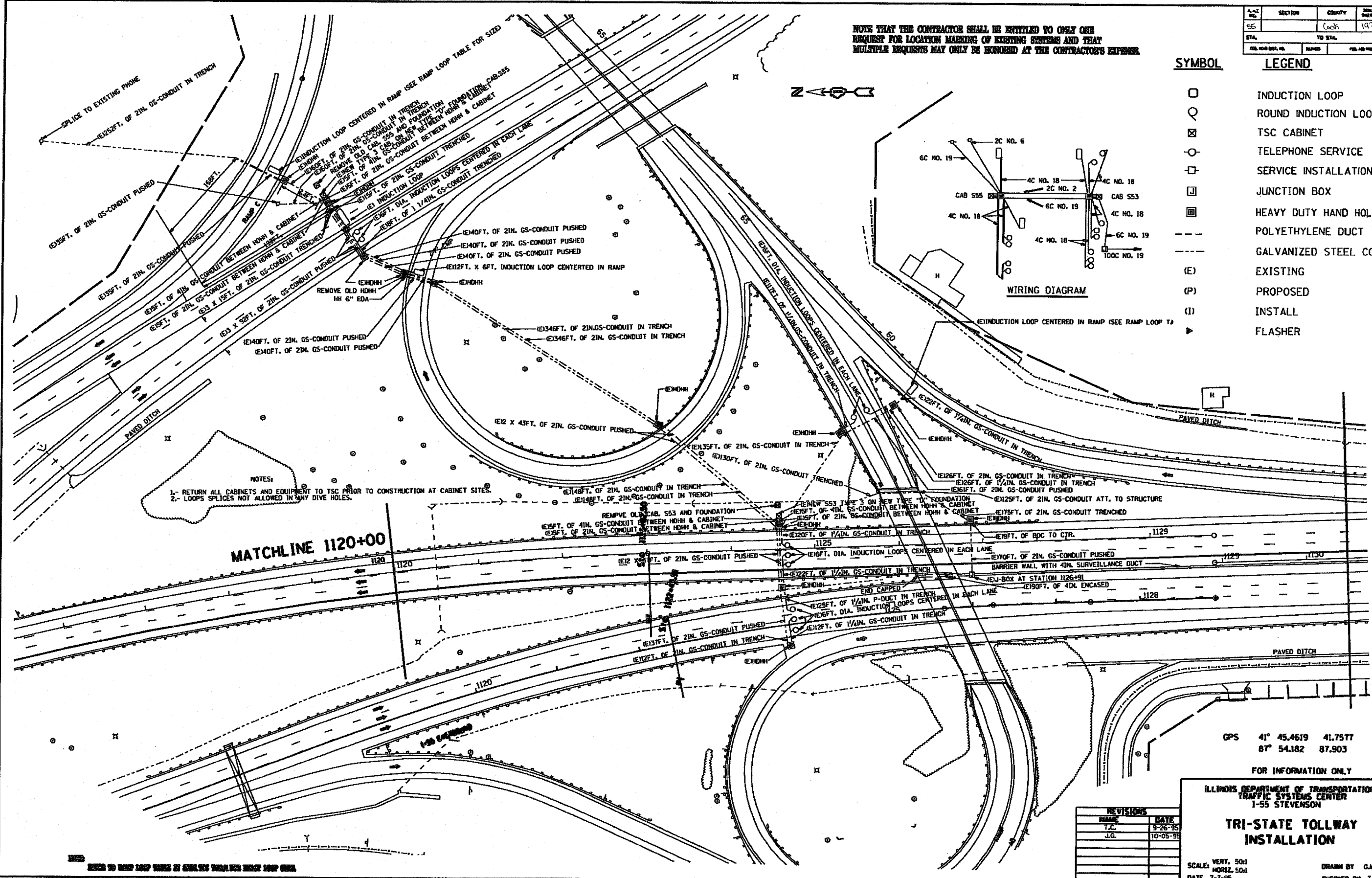
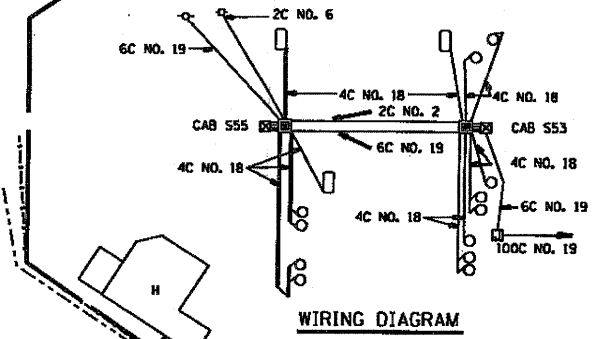


PLAN NO.	SECTION	COUNTY	DATE	POST
55		Cook	197	73
STA.	TO STA.			
110+00	1130+50			

NOTE THAT THE CONTRACTOR SHALL BE ENTITLED TO ONLY ONE REQUEST FOR LOCATION MARKING OF EXISTING SYSTEMS AND THAT MULTIPLE REQUESTS MAY ONLY BE HONORED AT THE CONTRACTOR'S EXPENSE.

SYMBOL	LEGEND
○	INDUCTION LOOP
○	ROUND INDUCTION LOOP
⊗	TSC CABINET
○	TELEPHONE SERVICE
□	SERVICE INSTALLATION
□	JUNCTION BOX
⊠	HEAVY DUTY HAND HOLE
---	POLYETHYLENE DUCT
---	GALVANIZED STEEL CONDUIT
(E)	EXISTING
(P)	PROPOSED
(I)	INSTALL
▶	FLASHER



NOTES:
 1- RETURN ALL CABINETS AND EQUIPMENT TO TSC PRIOR TO CONSTRUCTION AT CABINET SITES.
 2- LOOPS SPLICES NOT ALLOWED IN ANY DIVE HOLES.

MATCHLINE 1120+00

MATCHLINE 1130+50

GPS 41° 45.4619 41.7577
 87° 54.182 87.903

FOR INFORMATION ONLY

ILLINOIS DEPARTMENT OF TRANSPORTATION
 TRAFFIC SYSTEMS CENTER
 I-55 STEVENSON

TRI-STATE TOLLWAY
 INSTALLATION

REVISIONS	DATE
T.C.	9-26-95
J.G.	10-05-95

SCALE: VERT. 50:1
 HORIZ. 50:1
 DATE 7-7-95

DRAWN BY G.M.
 CHECKED BY T.C.

TRAFFIC SYSTEMS CENTER

RD-C3 PROJECTS TSC FOR INVESTIGATION
 RF-INTERPOL.DGN

VI-1120