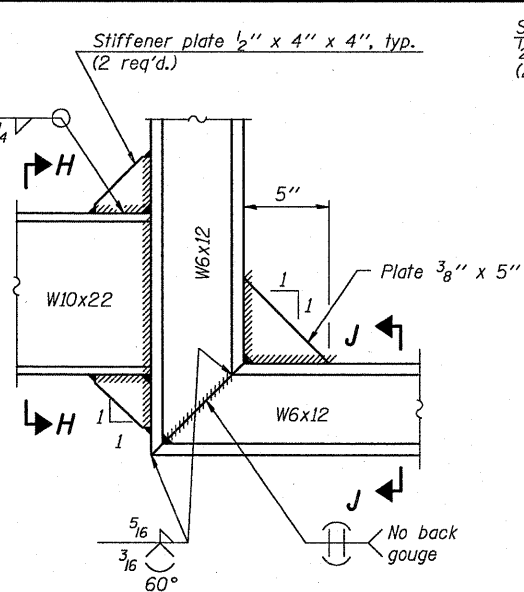
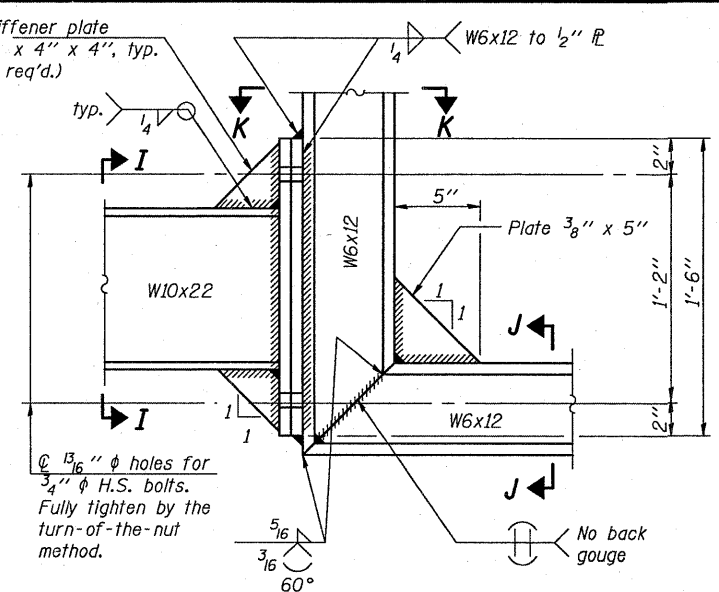


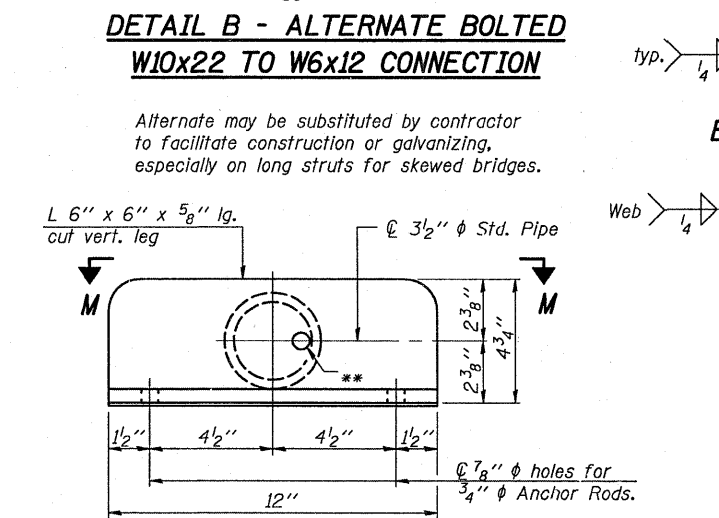
DETAIL A



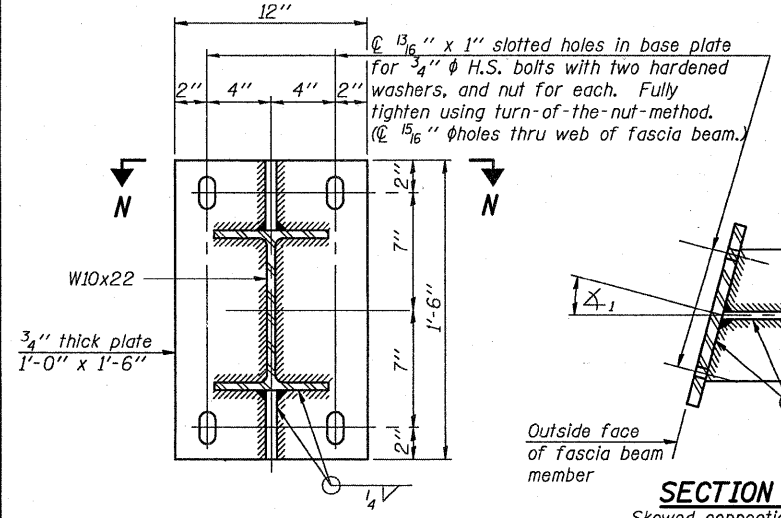
SECTION G-G



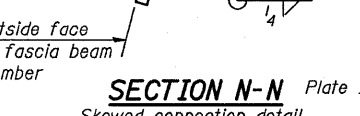
DETAIL B - WELDED W10x22 TO W6x12 CONNECTION



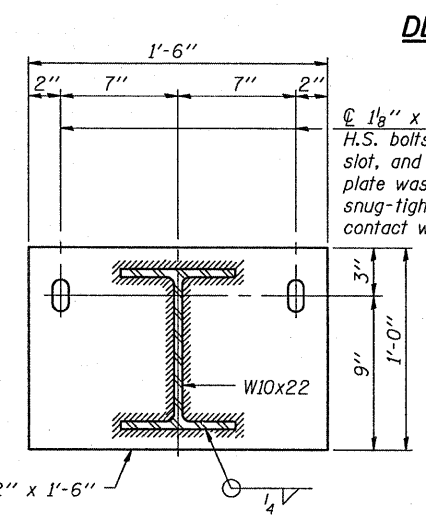
DETAIL B - ALTERNATE BOLTED W10x22 TO W6x12 CONNECTION



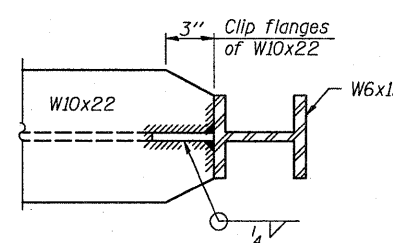
SECTION C-C



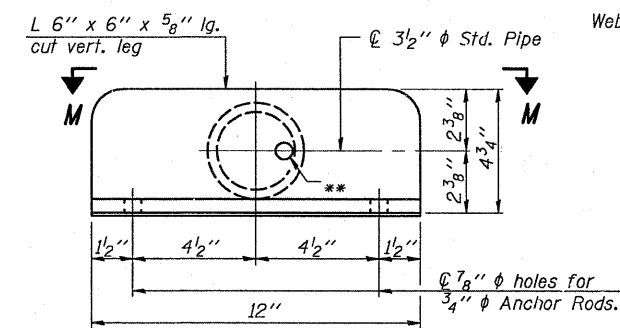
SECTION N-N



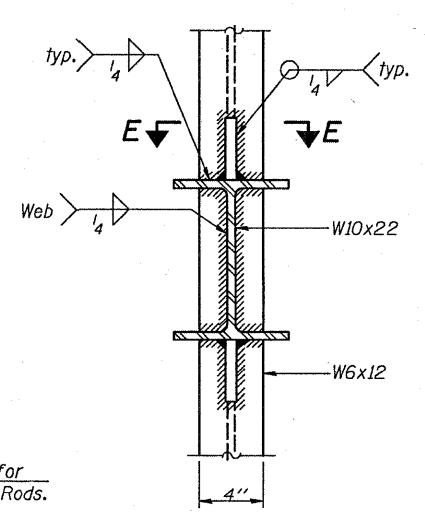
SECTION D-D



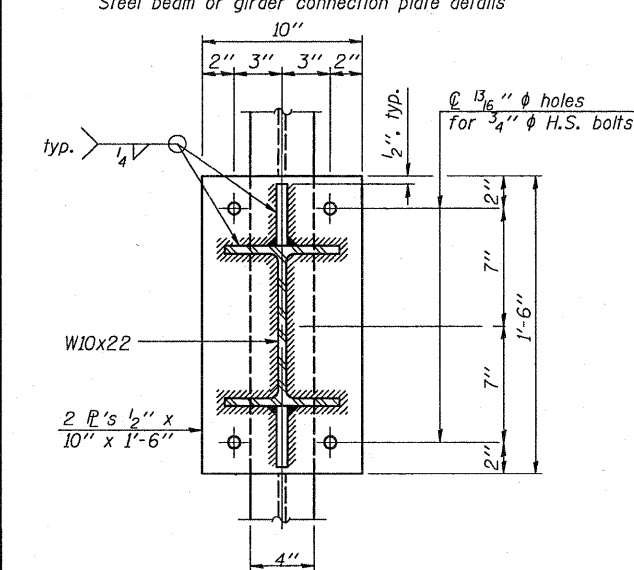
SECTION E-E



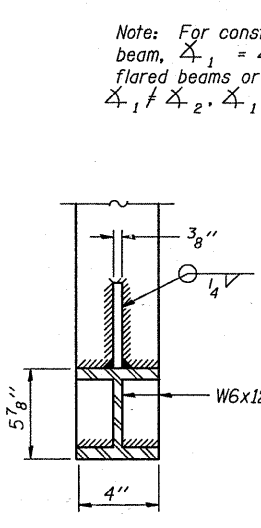
VIEW F-F



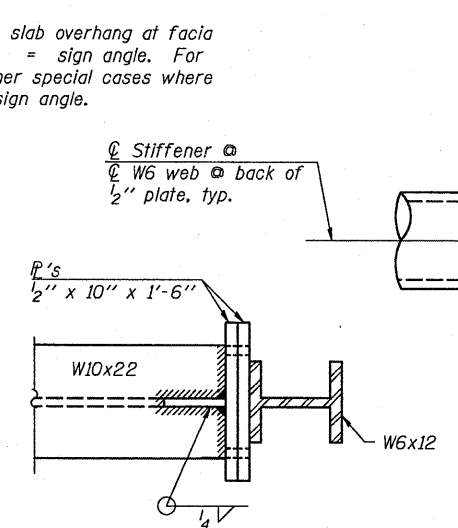
SECTION H-H



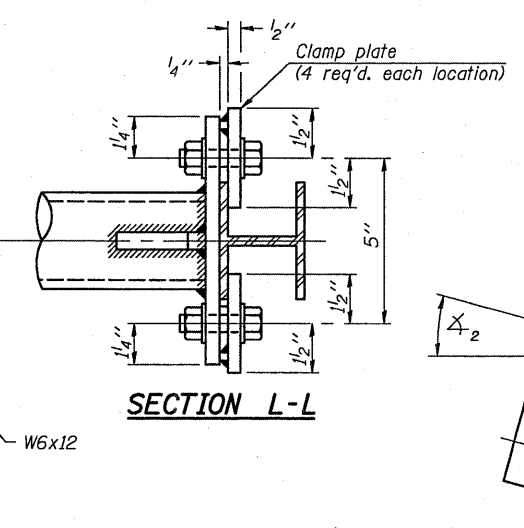
SECTION I-I



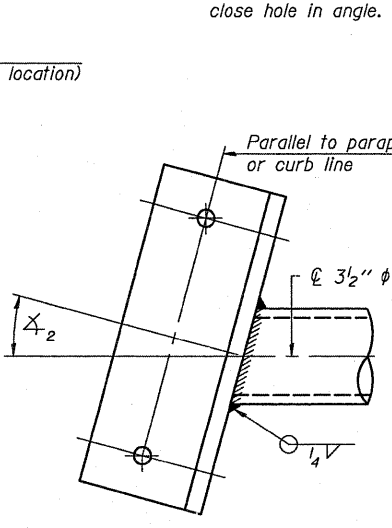
SECTION J-J



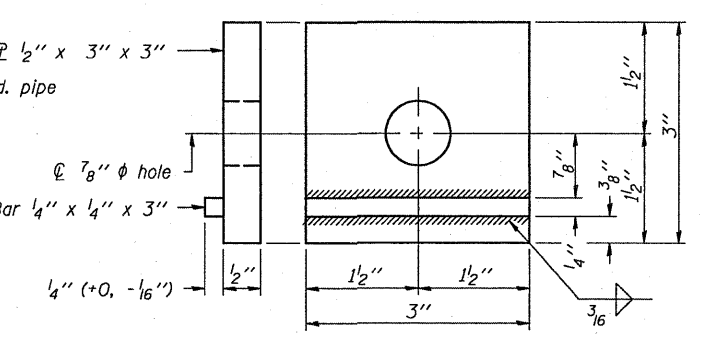
SECTION K-K



SECTION L-L



SECTION M-M



CLAMP PLATE DETAILS

1/3/2011
BM-3

7-1-10

LE LIN ENGINEERING, LTD.
Consulting Engineers
Chatham, Illinois

USER NAME =	DESIGNED - ADB	REVISED -
FILE NAME =	CHECKED - ADB	REVISED -
PLOT SCALE =	DRAWN - ADB	REVISED -
PLOT DATE =	CHECKED - MTH	REVISED -

DESIGNED - ADB	REVISED -
CHECKED - ADB	REVISED -
DRAWN - ADB	REVISED -
CHECKED - MTH	REVISED -

STATE OF ILLINOIS
DEPARTMENT OF TRANSPORTATION

BRIDGE MOUNT SIGN STRUCTURES
CONNECTION DETAILS

SHEET NO. 3 OF 4 SHEETS

F.A.T. RTE.	SECTION	COUNTY	TOTAL SHEETS	SHEET NO.
55	(0101-63), ETC, 0507-635KRS-3	COOK	199	180
CONTRACT NO. 60164				ILLINOIS FED. AID PROJECT