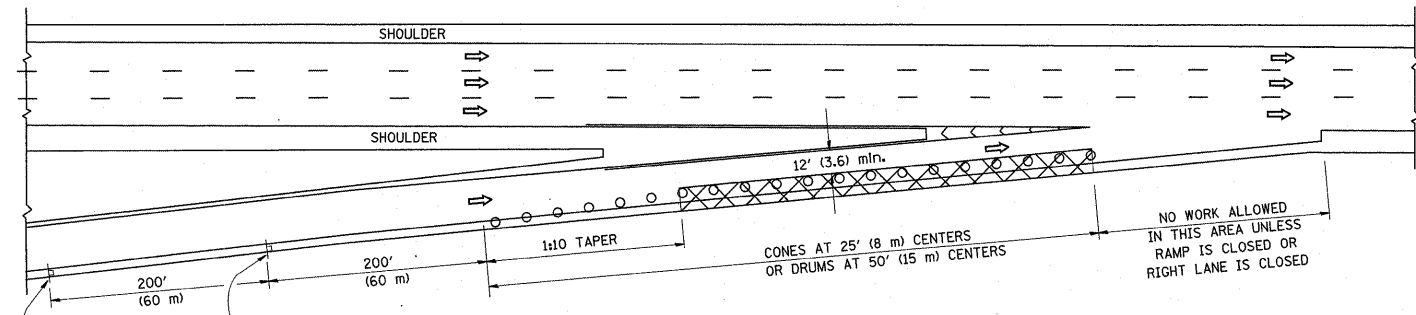
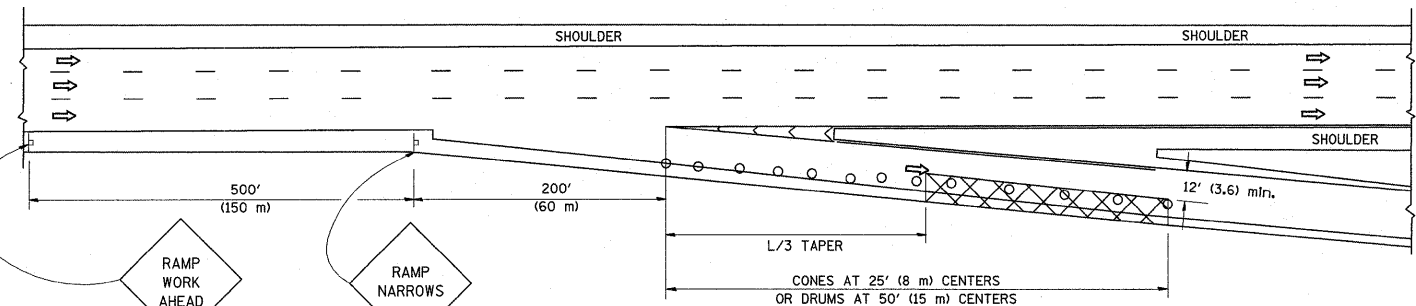


PARTIAL RAMP CLOSURE DETAILS

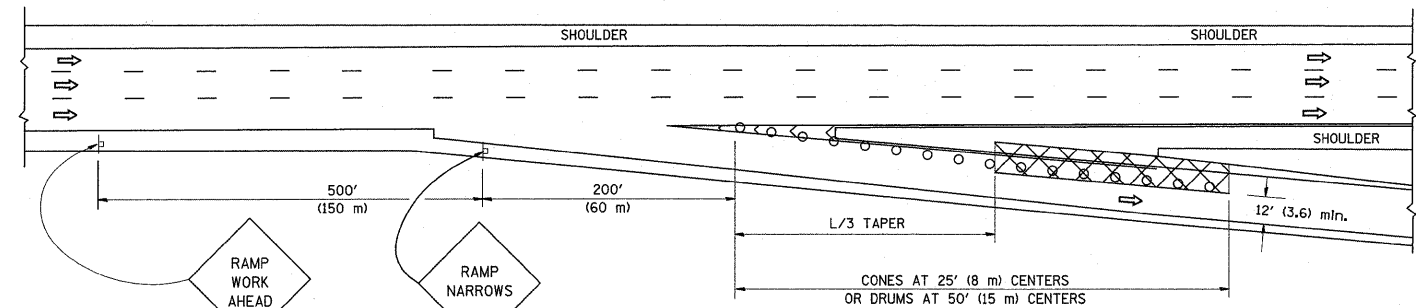
SHOULDER CLOSURE DETAILS



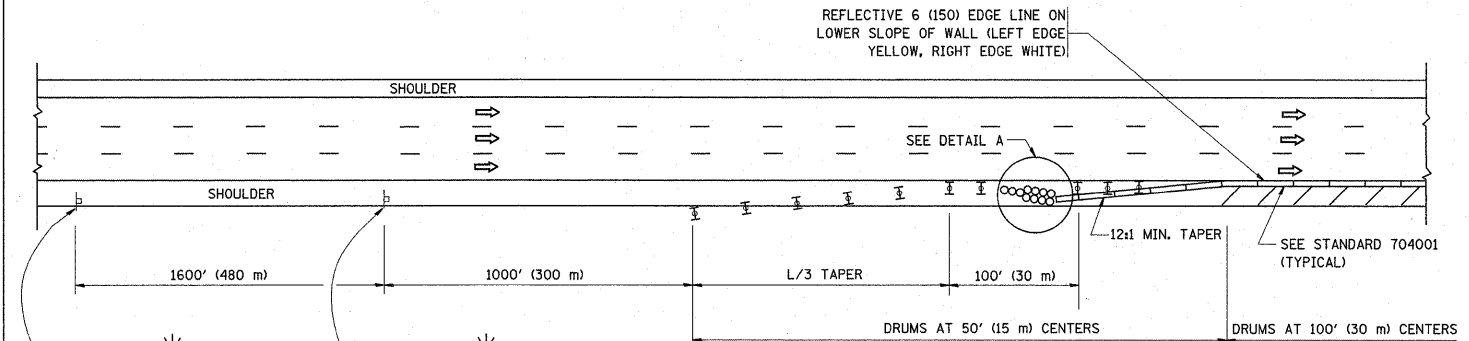
TYPICAL ENTRANCE RAMP



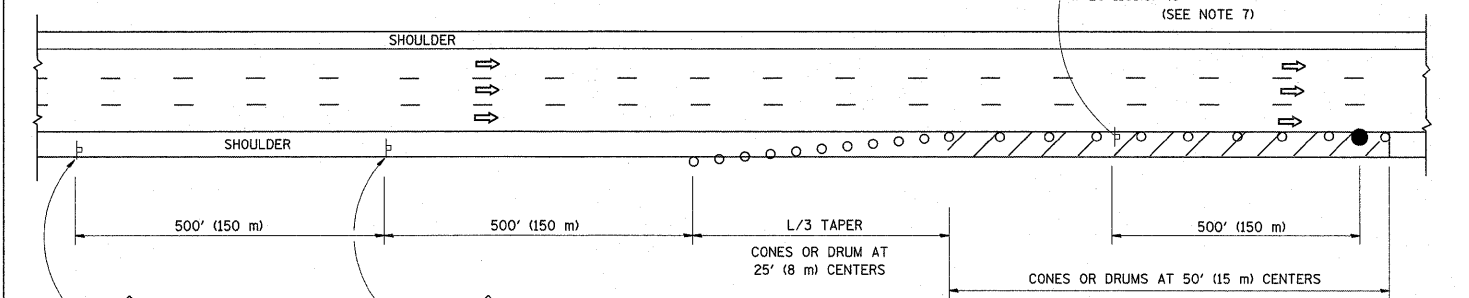
TYPICAL EXIT RAMP



TYPICAL EXIT RAMP



PERMANENT SHOULDER CLOSURE



DAYTIME SHOULDER CLOSURE

SYMBOLS

- ACTIVE WORK AREA
- SIGN ON PORTABLE OR PERMANENT SUPPORT
- FLAGGER WITH CONTROL SIGN
- TYPE II BARRICADE, DRUM OR VERTICAL BARRICADE WITH STEADY BURN MONO-DIRECTIONAL LIGHT
- CONE, DRUM OR BARRICADE

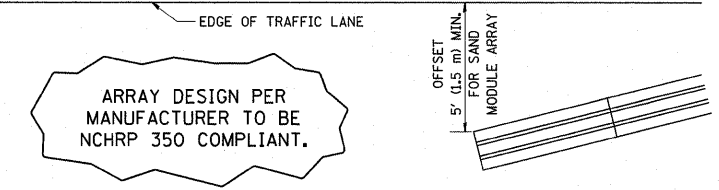
GENERAL NOTES

1. THE "L" DISTANCE EQUALS:
 

SPEED LIMIT	FORMULAS
45 mph (80 km/h) OR GREATER	METRIC ENGLISH L=0.6S(W/S) L=(W/S)
W = WIDTH OF OFFSET IN FEET (METERS)	
S = NORMAL POSTED SPEED MPH (KM/H)	
2. PLASTIC DRUMS WITH HIGH PERFORMANCE REFLECTIVE SHEETING AND STEADY BURNING LIGHTS ARE REQUIRED FOR ALL NIGHTTIME CLOSURES.
3. ALL SIGNS SHALL BE POST MOUNTED IF THE CLOSURE TIME EXCEEDS FOUR DAYS.
4. FLASHING LIGHTS SHALL BE USED DURING THE HOURS OF DARKNESS AND SHALL BE INSTALLED ABOVE THE FIRST TWO SETS OF SIGNS.

5. THE IMPACT ATTENUATOR, TEMPORARY IS NOT REQUIRED WHEN THE TEMPORARY CONCRETE BARRIER WALL IS PROTECTED BY OR IS TIED INTO THE EXISTING GUARDRAIL. IF OFFSET IS LESS THAN 5 FEET USE NARROW USE TYPE DEVICE TO MEET NCHRP350.
6. AUTHORIZATION FROM THE DISTRICT'S BUREAU OF TRAFFIC IS REQUIRED FOR ALL FREEWAY CLOSURES.
7. THE FLAGGER AND FLAGGER SIGN ARE REQUIRED AT THE ABOVE WORK SITES WHEN:
  - a. FOUR OR MORE WORK VEHICLES ENTER THE TRAFFIC LANES IN A ONE HOUR PERIOD.
  - b. THE WORK AVTIVITY REQUIRES FREQUENT ENCROACHMENT INTO THE LANE OPEN TO TRAFFIC.
 THE FLAGGER SHALL BE STATIONED APPROXIMATELY 100' (30 m) TO 200' (60 m) IN ADVANCE OF THE WORKERS.

DETAIL "A"  
IMPACT ATTENUATOR, TEMPORARY  
(SEE NOTE 5)



ALL DIMENSIONS ARE IN INCHES (MILLIMETERS) UNLESS OTHERWISE SHOWN.

FILE NAME =	USER NAME = qureshys	DESIGNED -	REVISED - 04-03	<b>STATE OF ILLINOIS DEPARTMENT OF TRANSPORTATION</b>	<b>TRAFFIC CONTROL DETAILS FOR FREEWAY SHOULDER CLOSURES AND PARTIAL RAMP CLOSURES</b>	F.A.I. RTE.	SECTION	COUNTY	TOTAL SHEETS	SHEET NO.	
cr:\pw_work\pwsdot\qureshys\d2187440\Dis	Std.dgn	DRAWN - D.W.S.	REVISED - J.A.F. 12-06			55	*	COOK	197	194	
	PLOT SCALE = 50.0000' / IN.	CHECKED -	REVISED - S.P.B. 01-07			<b>TC-17</b>		CONTRACT NO. 60164			
	PLOT DATE = 1/3/2011	DATE - 11-96	REVISED - S.P.B. 12-09			SCALE: NONE		SHEET NO. 1 OF 1 SHEETS		STA. TO STA.	