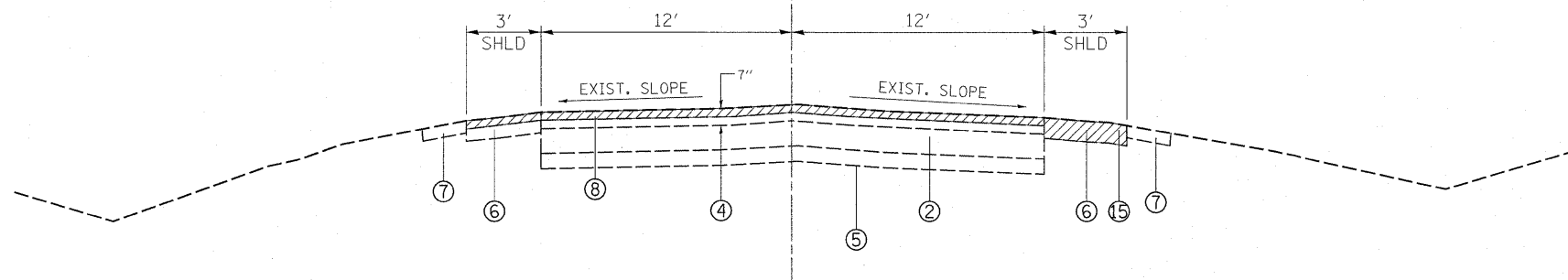


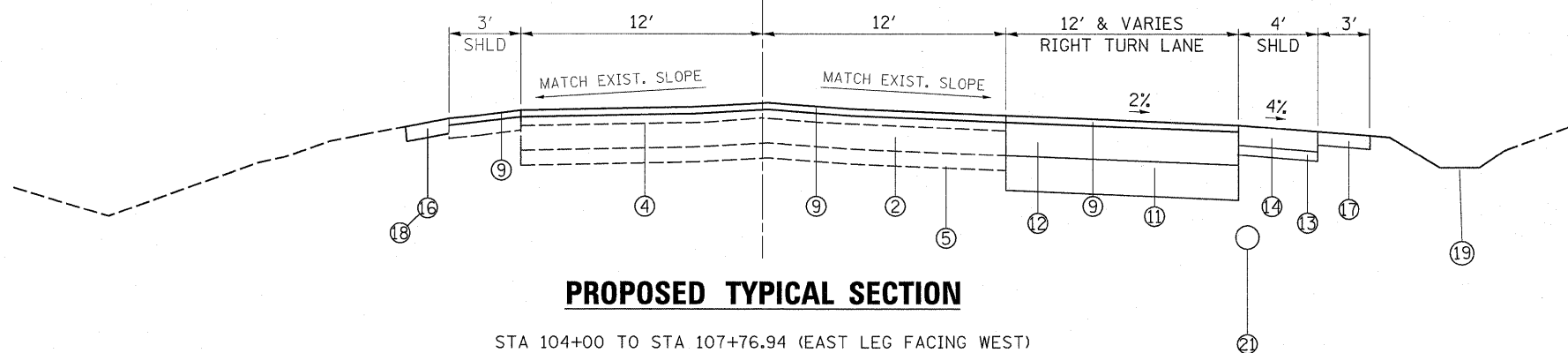
CL IL. ROUTE 176



**EXISTING TYPICAL SECTION**

STA 104+00 TO STA 107+76.94 (EAST LEG FACING WEST)

CL IL. ROUTE 176



**PROPOSED TYPICAL SECTION**

STA 104+00 TO STA 107+76.94 (EAST LEG FACING WEST)

**LEGEND**

- ① EXIST. HMA BASE COURSE 12''±
- ② EXIST. PCC BASE COURSE 8''±
- ③ EXIST. HMA SURFACE 3''±
- ④ EXIST. HMA SURFACE 7''±
- ⑤ EXIST. AGGREGATE SUB-BASE
- ⑥ EXIST. ASPHALT SHOULDER
- ⑦ EXIST. AGGREGATE SHOULDER
- ⑧ PROP. HMA SURFACE REMOVAL, 2''
- ⑨ PROP. HMA SURFACE COURSE, MIX D, N70, 2''
- ⑩ PROP. AGGREGATE SUBGRADE, 12''
- ⑪ PROP. HMA BASE COURSE, 10 1/2'' (IN 3 LIFTS)
- ⑫ PROP. SUB-BASE GRANULAR MATERIAL, TYPE B, 4''
- ⑬ PROP. HMA SHOULDER, 8'' (IN 2 LIFTS)
- ⑭ PROP. PAVED SHOULDER REMOVAL
- ⑮ PROP. AGGREGATE WEDGE SHOULDER, TYPE B
- ⑯ PROP. AGGREGATE SHOULDER, TYPE B, 6''
- ⑰ PROP. GRADING AND SHAPING SHOULDERS
- ⑱ PROP. DITCH (SEE CROSS SECTIONS)
- ⑲ PROP. PIPE UNDERDRAINS, 4''

**NOTE:**

PIPE UNDERDRAINS TO BE INSTALLED ALONG THE OUTSIDE EDGE OF THE PROPOSED WIDENING, 30 INCHES BELOW THE PROPOSED PAVEMENT GRADE AT THE FOLLOWING LOCATIONS:

- IL 176 (EAST LEG): STA. 101+00 TO STA. 102+00 LT. AND STA. 106+00 TO STA. 107+00 LT.
- IL 176 (WEST LEG): STA. 102+50 TO STA. 103+50 RT. AND STA. 107+00 TO STA. 108+00 RT.

FILE NAME = D144410-Design.dgn	USER NAME = WILGREENDP	DESIGNED -	REVISED -	<b>STATE OF ILLINOIS DEPARTMENT OF TRANSPORTATION</b>	<b>EXISTING AND PROPOSED TYPICAL SECTIONS IL RTE. 47 AT IL RTE. 176 (NORTH &amp; SOUTH JCT.)</b>			F.A.P. RTE. 326	SECTION 105 N-4	COUNTY MCHENRY	TOTAL SHEETS 60	SHEET NO. 6
	PLOT SCALE = 50.0000' / IN.	CHECKED -	REVISED -					CONTRACT NO. 60K18				
PLOT DATE = 12/29/2010	DATE -	REVISED -	REVISED -	SCALE: NONE	SHEET NO.	OF	SHEETS	STA.	TO	STA.	ILLINOIS FED. AID PROJECT	