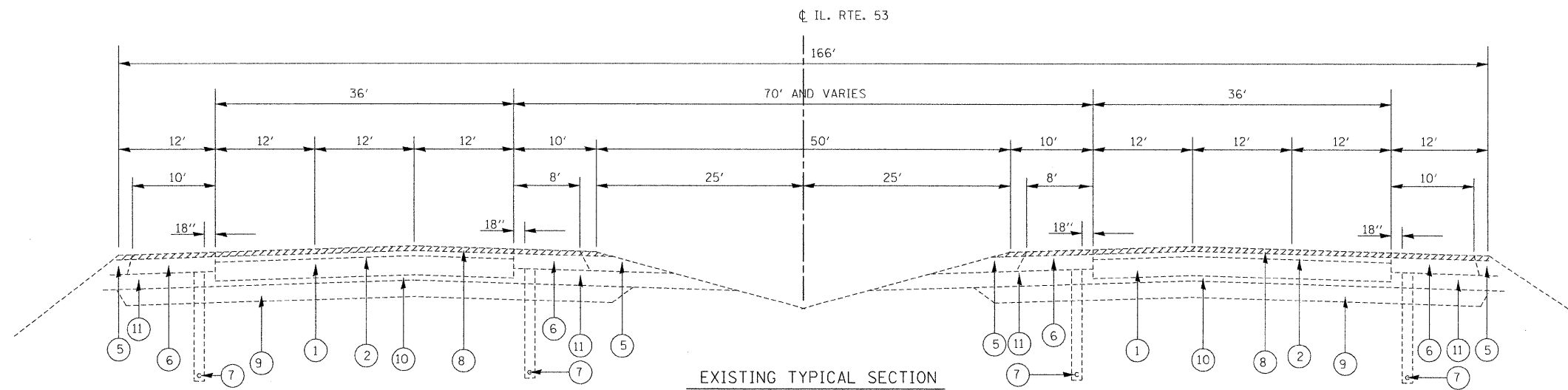



LEGEND:

- ① - EXISTING P.C. CONCRETE PAVEMENT, 8" AND 9 1/4"
- ② - EXISTING HMA CONCRETE SURFACE, ± 1 1/2"
- ③ - EXISTING SUB-BASE GRANULAR MATERIAL
- ④ - EXISTING P.C.C. SHOULDERS
- ⑤ - EXISTING AGGREGATE SHOULDER
- ⑥ - EXISTING HMA SHOULDER, 8"
- ⑦ - EXISTING PIPE UNDERDRAIN, 6"
- ⑧ - EXISTING P.C. CONCRETE PAVEMENT, 11"
- ⑨ - EXISTING POROUS GRANULAR EMBANKMENT 2'
- ⑩ - EXISTING STABILIZED SUB-BASE (B.A.M.)
- ⑪ - EXISTING STABILIZED SHOULDERS (B.A.M.) 8"



EXISTING TYPICAL SECTION
 STA. 383+00 TO STA. 504+00 (NB)
 AND
 STA. 383+00 TO STA. 504+00 (SB)

FILE NAME = P:\2009\ME09006\Var-Var-Phil\CADD\W019_IL53\Shts\DI60K21-Typical.dgn
 PLOT SCALE = 50.0000 / IN.
 USER NAME = Millennium Professional Services


 200 22ND Street, Suite 216, Lombard, IL 60148
 630.785.8118 voice, 630.839.2566 fax
 www.mps-il.com
MILLENNIA PROFESSIONAL SERVICES

DESIGNED - CJD	REVISED -
DRAWN - CJD	REVISED -
CHECKED - TVN	REVISED -
DATE - 1/3/2011	REVISED -

STATE OF ILLINOIS
DEPARTMENT OF TRANSPORTATION

ILLINOIS ROUTE 53
RAND ROAD TO LAKE COOK ROAD

TYPICAL SECTIONS

F.A.P. RTE. 2592	SECTION 2010-003 I	COUNTY COOK	TOTAL SHEETS 43	SHEET NO. 7
FED. ROAD DIST. NO. 1 ILLINOIS FED. AID PROJECT			CONTRACT NO. 60K21	

SCALE: N/A SHEET NO. OF SHEETS STA. TO STA.

P:\2009\ME09006\Var-Var-Phil\CADD\W019_IL53\Shts\DI60K21-Typical.dgn