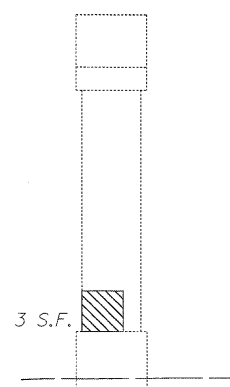
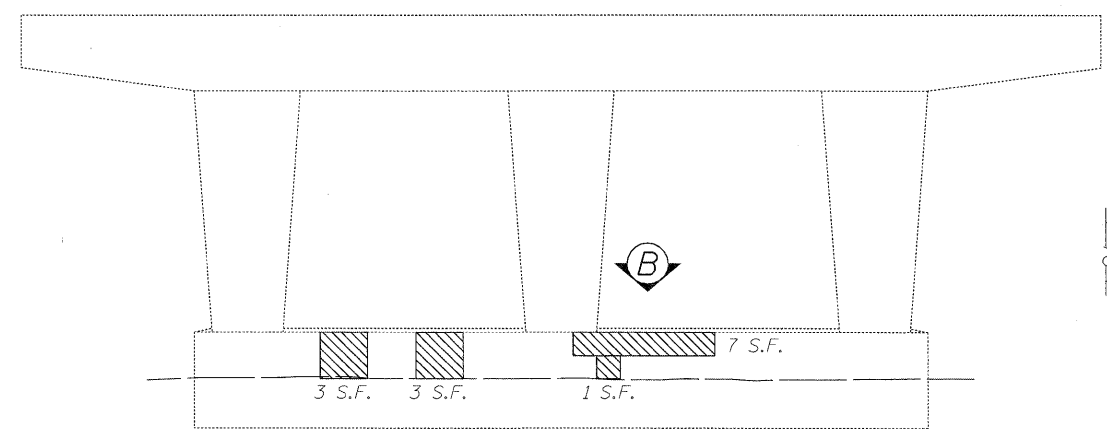


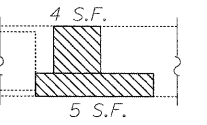
PIER 3 - WEST ELEVATION
Looking East



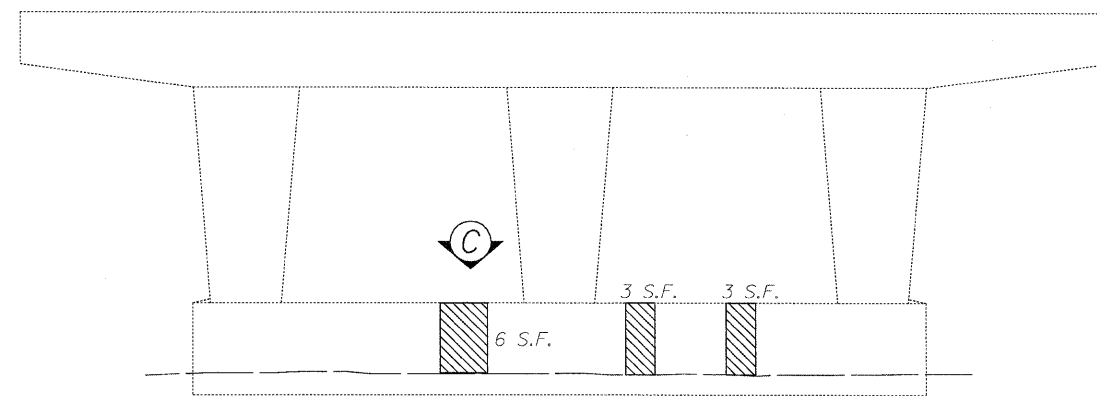
VIEW A



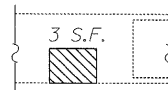
PIER 3 - EAST ELEVATION
Looking West



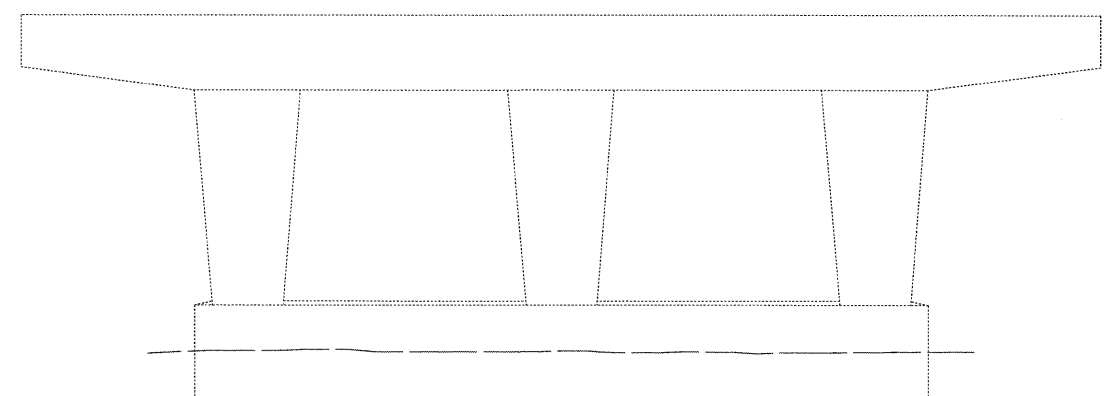
VIEW B



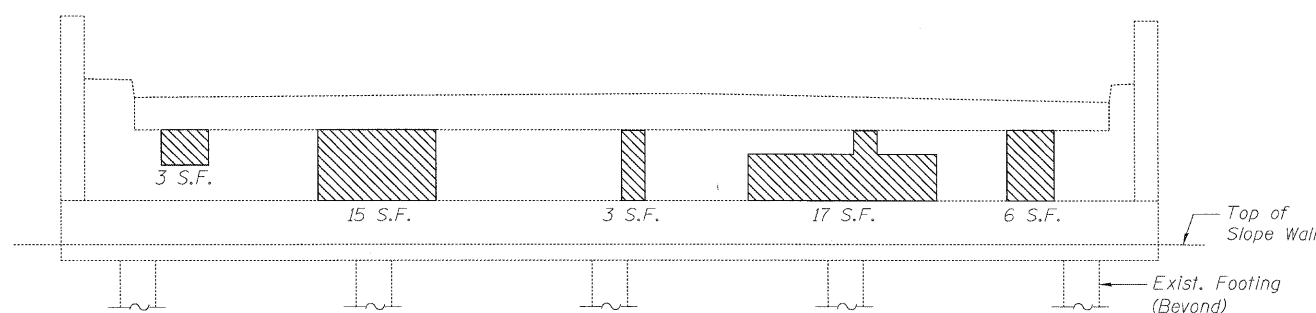
PIER 4 - WEST ELEVATION
Looking East



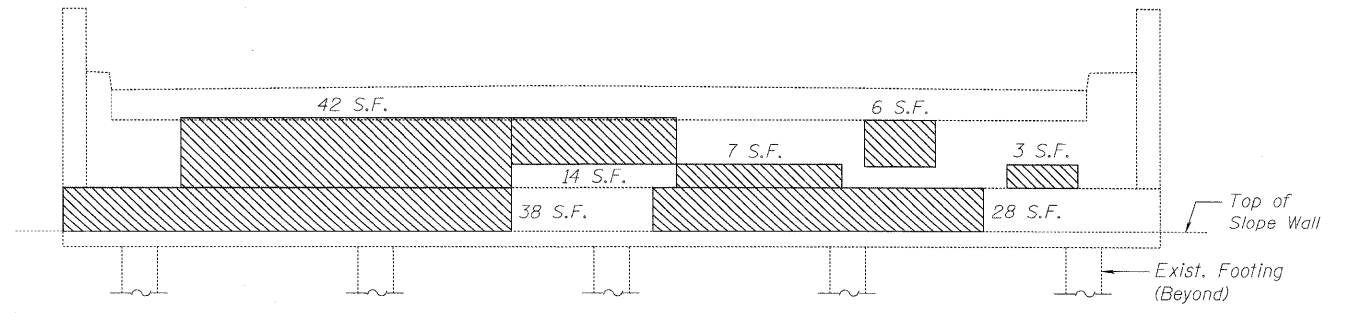
VIEW C



PIER 4 - EAST ELEVATION
Looking West



WEST ABUTMENT - ELEVATION
Looking West



EAST ABUTMENT - ELEVATION
Looking East

LEGEND

Structural Repair of Concrete
(Depth Less Than or Equal to 5")

| | |
|------------------------------------|-------------------|
| DESIGNED - DF | REVISED - |
| USER NAME = imjeller | DRAWN - LAM |
| PLLOT SCALE = N15 | CHECKED - BLU |
| PLLOT DATE = 1/20/2011 12:33:47 PM | DATE - 01/21/2011 |
| REVISED - | REVISED - |
| REVISED - | REVISED - |



STATE OF ILLINOIS
DEPARTMENT OF TRANSPORTATION

ABUTMENT AND PIER REPAIR DETAILS
EASTBOUND FAI-80 OVER CENTER STREET RAMP AA
STRUCTURE NO. 099-0052

SHEET NO. 5-4 OF 5-6 SHEETS

| F.A.I. RTE. | SECTION | COUNTY | TOTAL SHEETS | SHEET NO. |
|-----------------------------------------------|-------------|--------|--------------------|-----------|
| 80 | 99(2&3)RS-3 | WILL | 200 | 100 |
| FED. ROAD DIST. NO. ILLINOIS FED. AID PROJECT | | | CONTRACT NO. 60M64 | |