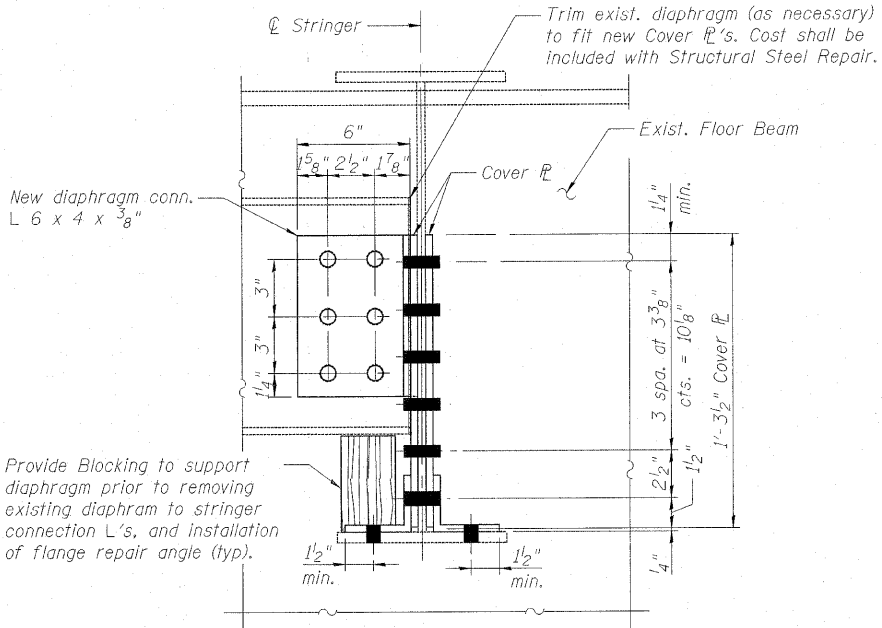
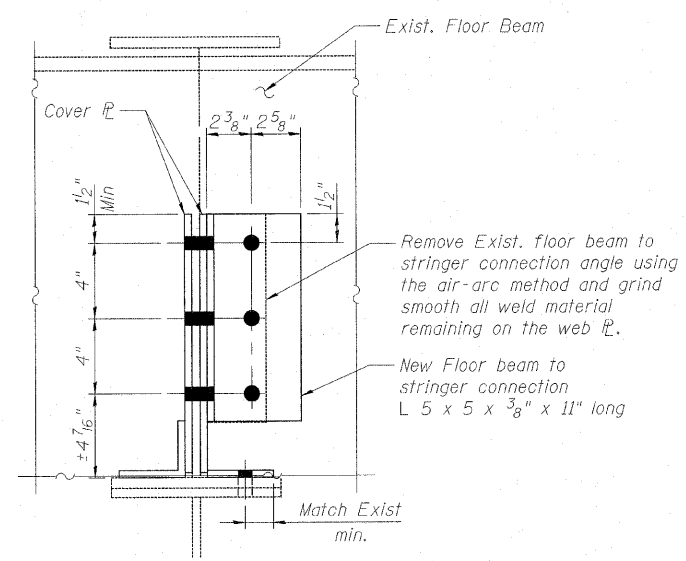


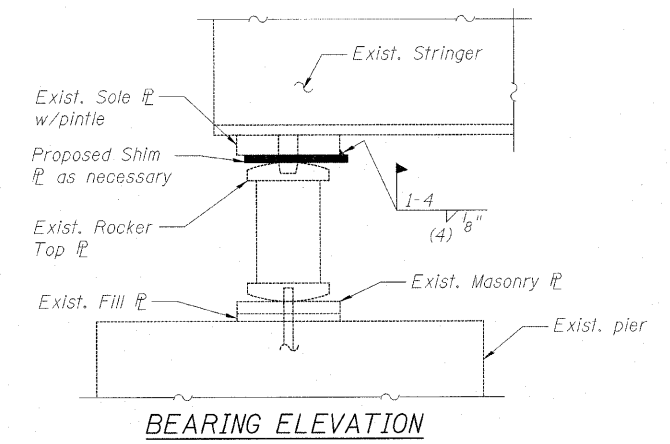
DETAIL 10



SECTION A-A



SECTION B-B



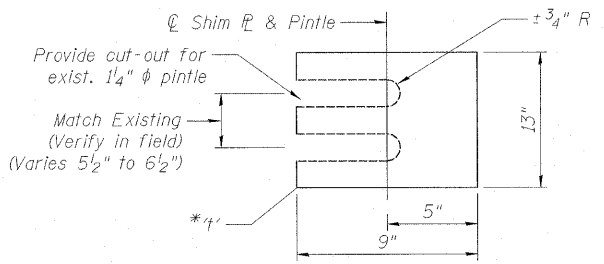
BEARING ELEVATION

REPAIR PROCEDURE

1. Jack existing superstructure.
2. Clean existing bearing between top of rocker and bottom of sole plate, removing pack rust accumulation.
3. Lower Beams
4. Provide shim between sole plate and rocker as necessary to ensure full bearing contact between sole plate and rocker.

NOTES

1. See Special Provision Jack and Clean Bearings.
2. Cleaning existing bearings and shim plates shall be included in the cost of Jack and Clean Bearings.
3. Shim plates shall be AASHTO M270 Gr 36 (ASTM A36).



SHIM PLATE DETAIL

JACK & CLEAN BEARINGS SCHEDULE

Pier	Span	Stringer	Locations	#1'
W. Abut.	1	7	1	1/4"
3	3	8-9	2	3/8"
3	4	2, 3, 6	3	1/16"
4	4	1-3	3	1/16" - 3/16"
4	4	4-9	6	3/8"
10	11	1-3	3	1/32"
11	11	1-8	8	1/4"
11	12	1-8	8	1/4"
12	12	2	1	1/16"
12	13	1, 3-5	4	1/4"
14	15	1, 3, 6, 7	4	1/32" - 1/16"
16	16	2	1	1/16"
16	17	4	1	1/16"
18	18	3	1	1/32"
18	19	1, 3-7	6	1/32"
19	19	6	1	8"
20	21	3, 7	2	1/16"
22	22	2-3	2	1/16" - 8"
22	23	3	1	1/32"

* Thickness shown is the measured gap between top of rocker plate and bottom of sole plate. Contractor shall verify actual shim plate thickness (if required) after cleaning and lowering beams in place.

LEGEND

- New bolt. Use exist. holes in Stringer as template for field drilling new holes.
- New bolt (field drill)

NOTES

1. Fasteners shall be high strength bolts AASHTO M164/ASTM A325. Holes shall be 13/16" diameter for 3/4" diameter bolts.
2. See Sheet S-3 and S-12 of S-35 for additional notes.
3. All cover plate and fill plate shall be 3/8" thick unless noted otherwise.
4. The repair plate and shape lengths shown are anticipated based on existing plan data. Longer repair plates and shapes may be required based on field conditions.
5. For additional requirements, See Special Provision for Structural Steel Repair and Structural Steel Removal

DESIGNED - DF	REVISOR -
DRAWN - LAM	REVISOR -
CHECKED - BLU	REVISOR -
DATE - 01/21/2011	REVISOR -



STATE OF ILLINOIS
DEPARTMENT OF TRANSPORTATION

STEEL REPAIR DETAILS 5
EASTBOUND FAI-80 OVER DES PLAINES RIVER
STRUCTURE NO. 099-0056
SHEET NO. S-19 OF S-35 SHEETS

F.A.I. RTE. 80	SECTION 99(2&3)RS-3	COUNTY WILL	TOTAL SHEETS 200	SHEET NO. 126
FED. ROAD DIST. NO. ILLINOIS FED. AID PROJECT			CONTRACT NO. 60M64	