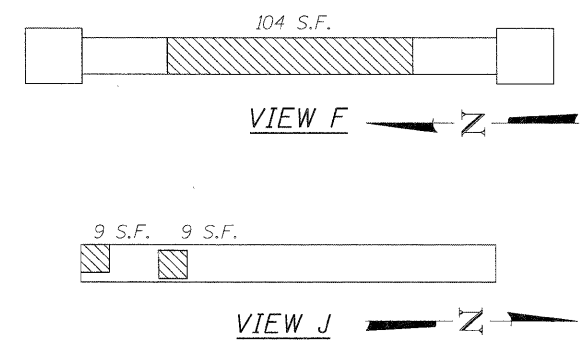
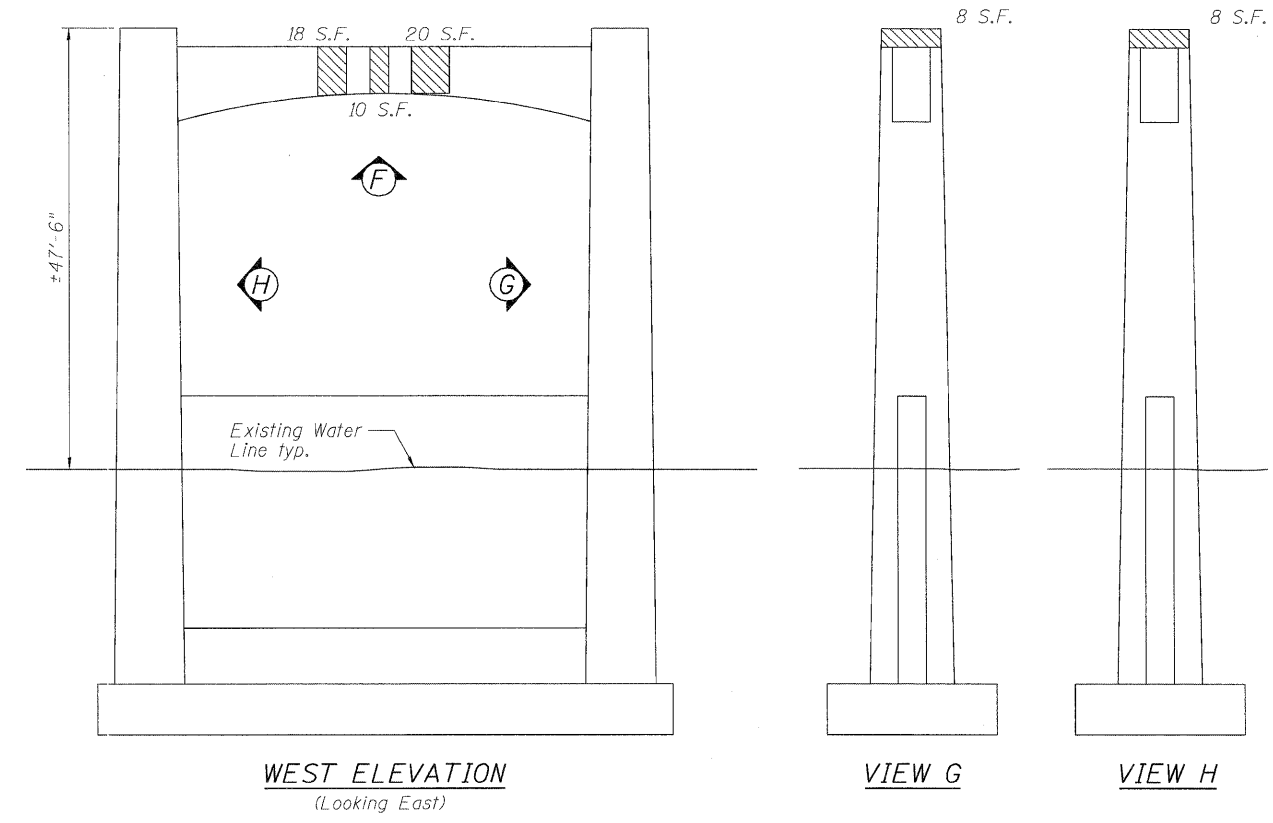
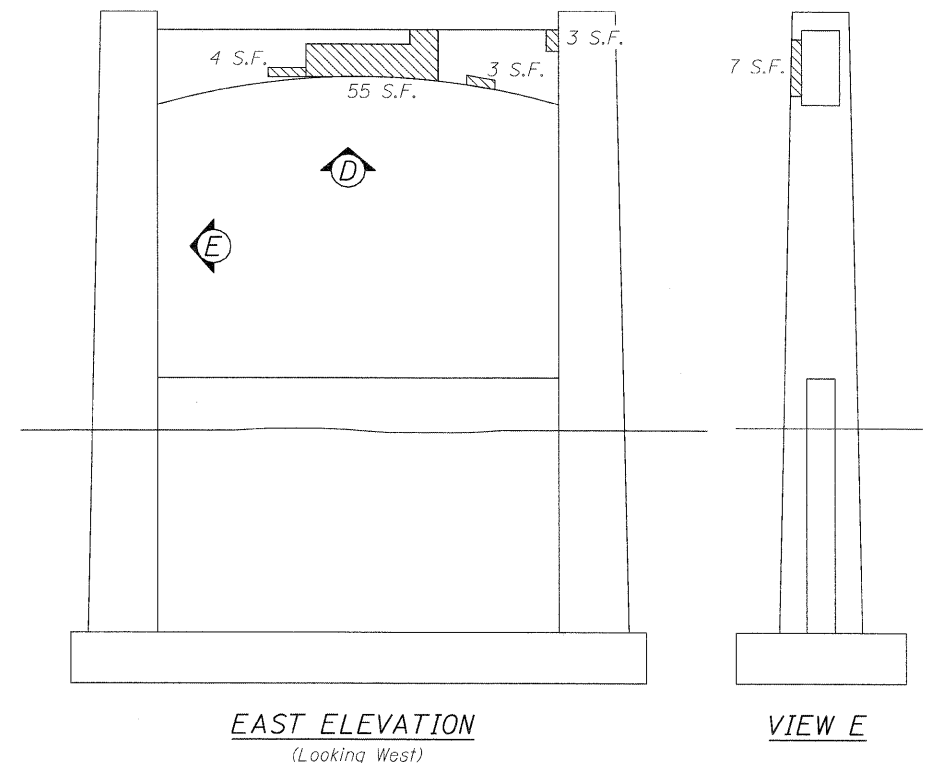


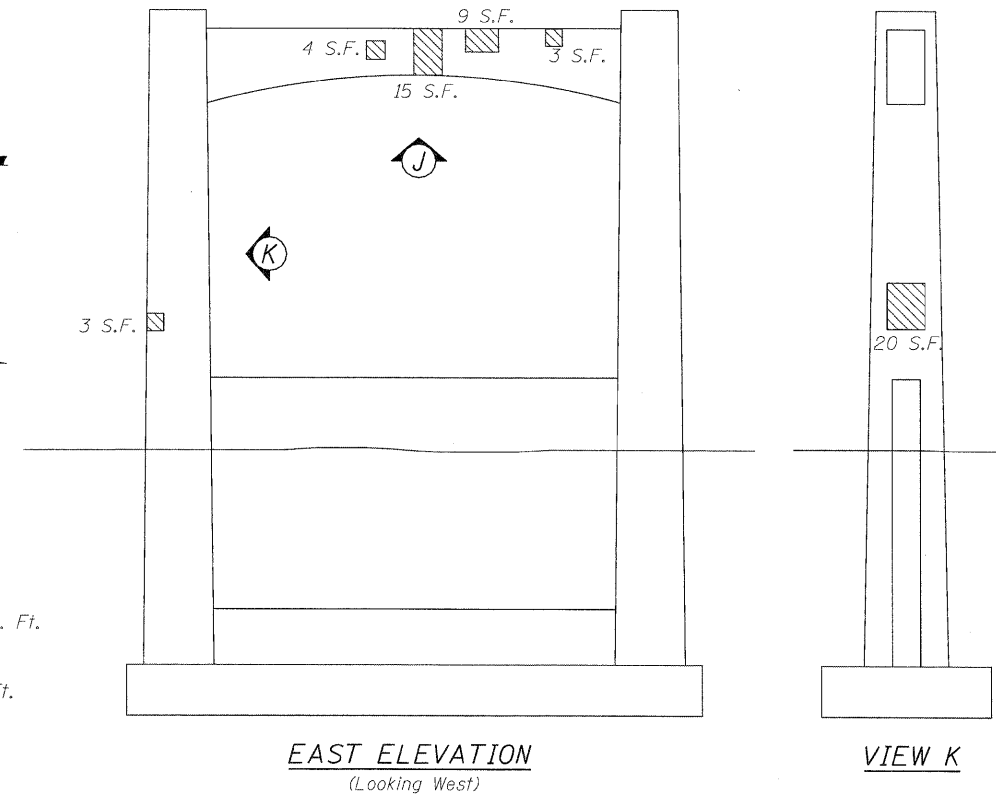
PIER 7

Structural Repair of Concrete (Depth < 5") = 270 Sq. Ft.  
 Structural Repair of Concrete (Depth > 5") = 28 Sq. Ft.



PIER 8

Structural Repair of Concrete (Depth < 5") = 240 Sq. Ft.  
 Structural Repair of Concrete (Depth > 5") = 0 Sq. Ft.



USER NAME = Inueller	DESIGNED - JC	REVISED -
PLOT SCALE = N'S	DRAWN - JC	REVISED -
PLOT DATE = 1/20/2011 12:58:49 PM	CHECKED - DF	REVISED -
	DATE - 01/21/2011	REVISED -



STATE OF ILLINOIS  
DEPARTMENT OF TRANSPORTATION

PIER REPAIR DETAILS  
EASTBOUND FAI-80 OVER DES PLAINES RIVER  
STRUCTURE NO. 099-0056

F.A.I. RTE.	SECTION	COUNTY	TOTAL SHEETS	SHEET NO.
80	99(2&3)RS-3	WILL	200	133
FED. ROAD DIST. NO.			ILLINOIS FED. AID PROJECT	
			CONTRACT NO. 60M64	

SHEET NO. 5-26 OF 5-35 SHEETS

sv\056b\05\_cocod\cadd sheets\0990056-60M64-026-PRI-8.dgn