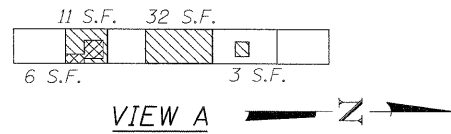
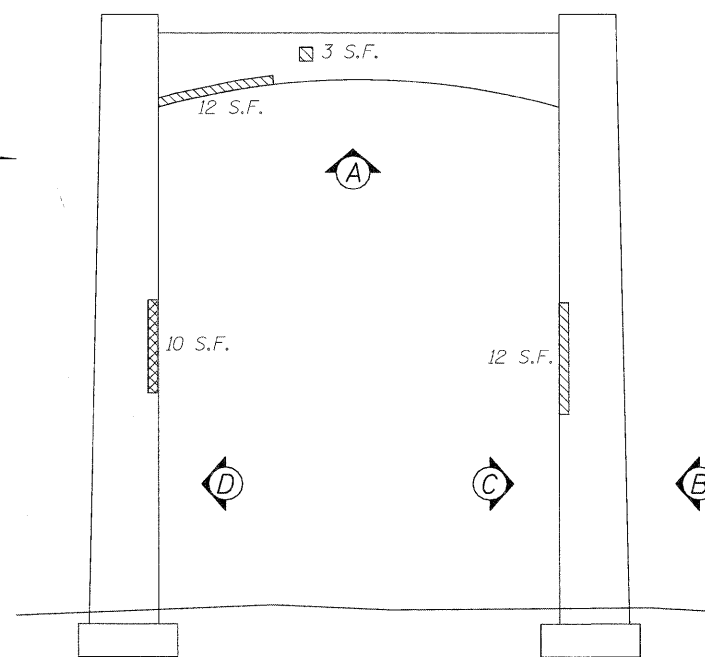


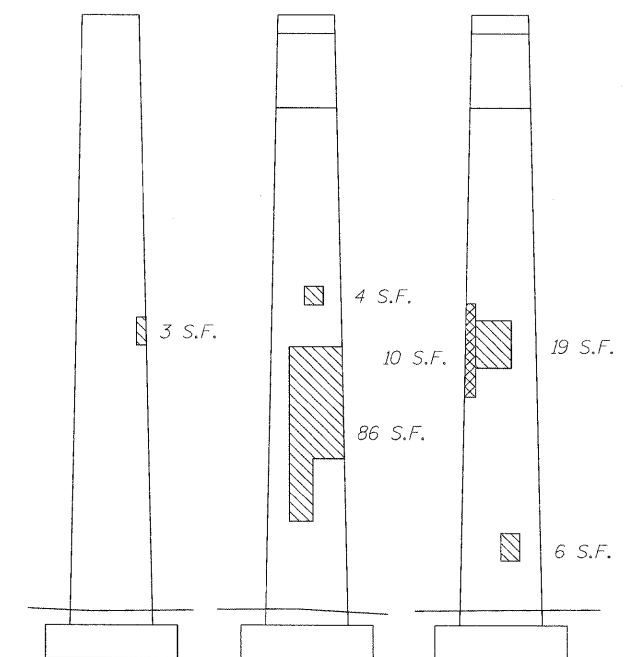
**WEST ELEVATION**  
(Looking East)



**VIEW A**



**EAST ELEVATION**  
(Looking West)



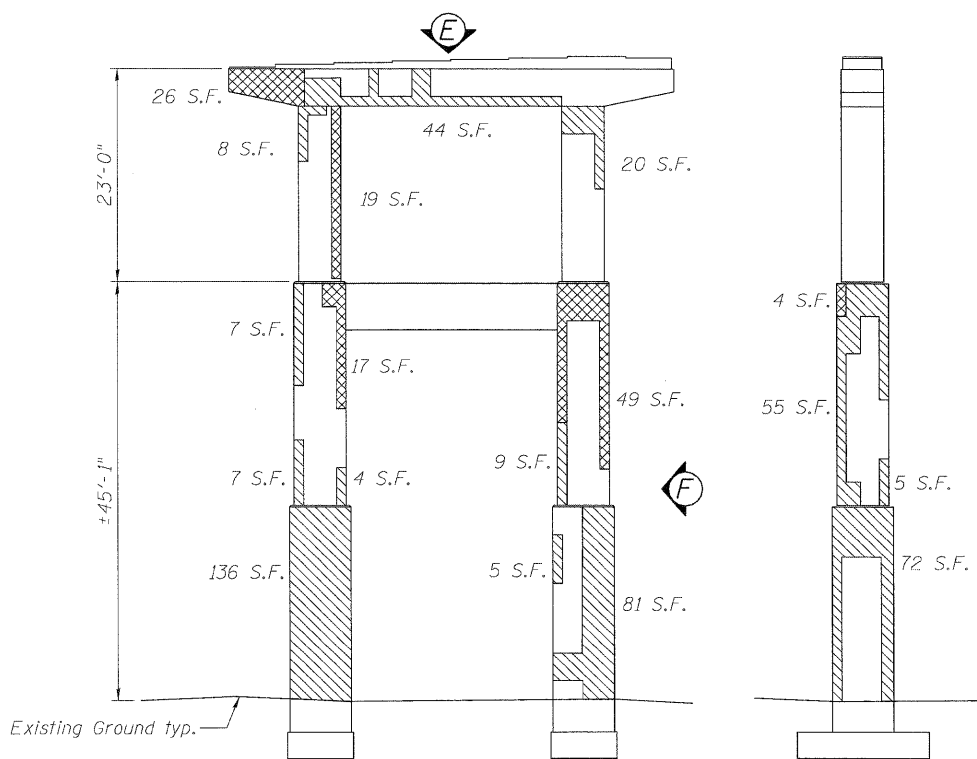
**VIEW B**

**VIEW C**

**VIEW D**

Structural Repair of Concrete (Depth < 5") = 214 Sq. Ft.

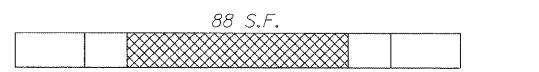
Structural Repair of Concrete (Depth > 5") = 26 Sq. Ft.



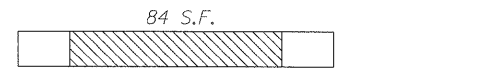
**WEST ELEVATION**  
(Looking East)



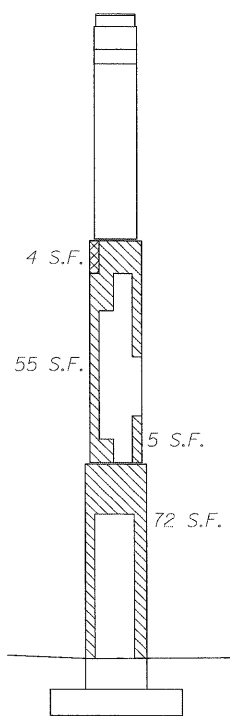
**VIEW E**



**VIEW G**



**VIEW H**

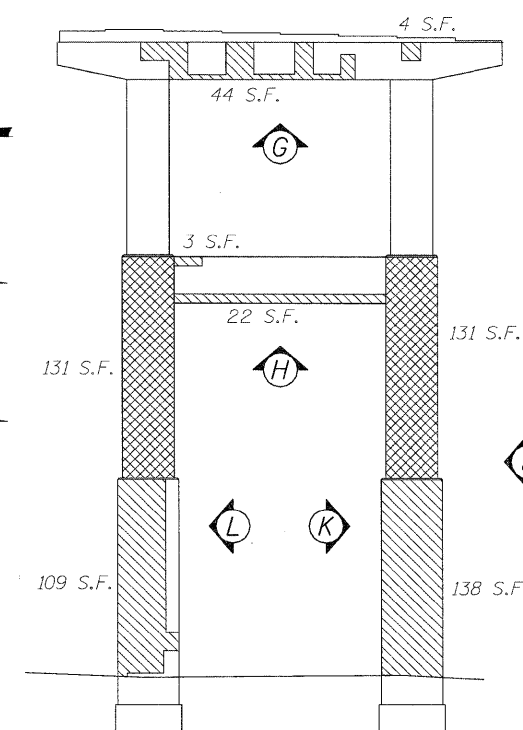


**VIEW F**

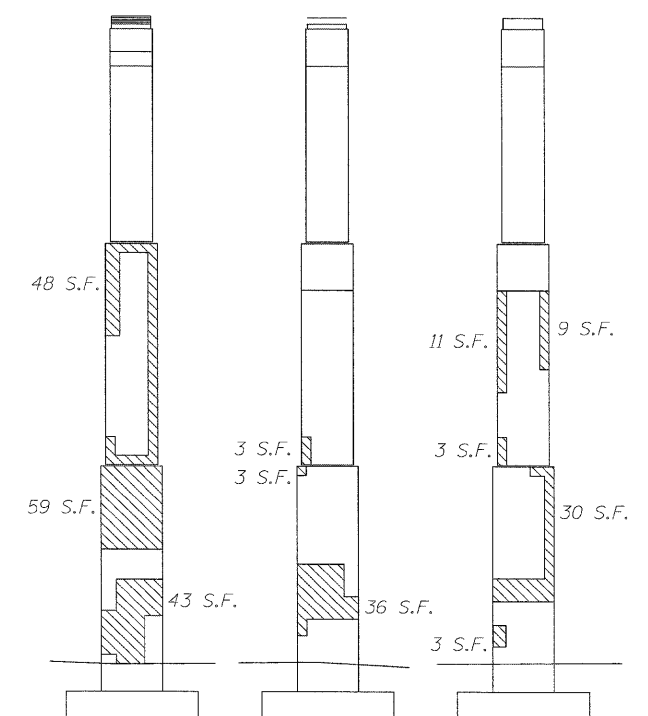
**PIER 10**

Structural Repair of Concrete (Depth < 5") = 1113 Sq. Ft.

Structural Repair of Concrete (Depth > 5") = 465 Sq. Ft.



**EAST ELEVATION**  
(Looking West)



**VIEW J**

**VIEW K**

**VIEW L**

NOTES: See Sheet S-18 for Temporary Shoring and Cribbing, Special locations.

USER NAME = lrueller	DESIGNED - JC	REVISED -
PLOT SCALE = N'S	DRAWN - JC	REVISED -
PLOT DATE = 1/20/2011 12:58:20 PM	CHECKED - DF	REVISED -
	DATE - 01/21/2011	REVISED -



**STATE OF ILLINOIS**  
**DEPARTMENT OF TRANSPORTATION**

**PIER REPAIR DETAILS**  
**EASTBOUND FAI-80 OVER DES PLAINES RIVER**  
**STRUCTURE NO. 099-0056**

F.A.I. RTE. 80	SECTION 99(2&3)RS-3	COUNTY WILL	TOTAL SHEETS 200	SHEET NO. 134
FED. ROAD DIST. NO. [ILLINOIS] FED. AID PROJECT			CONTRACT NO. 60M64	

SHEET NO. S-27 OF S-35 SHEETS

sv056b\05\_cood\oodd sheets\0990056-60M64-027-PR9-0.dgn