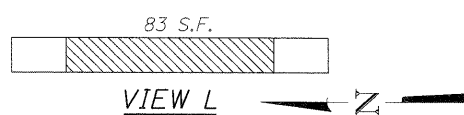
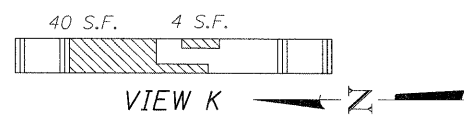
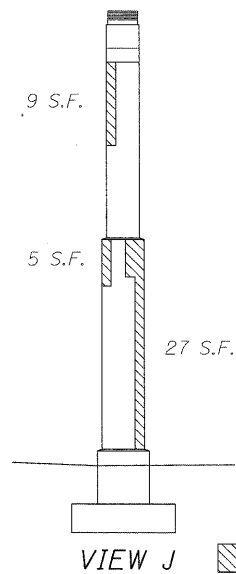
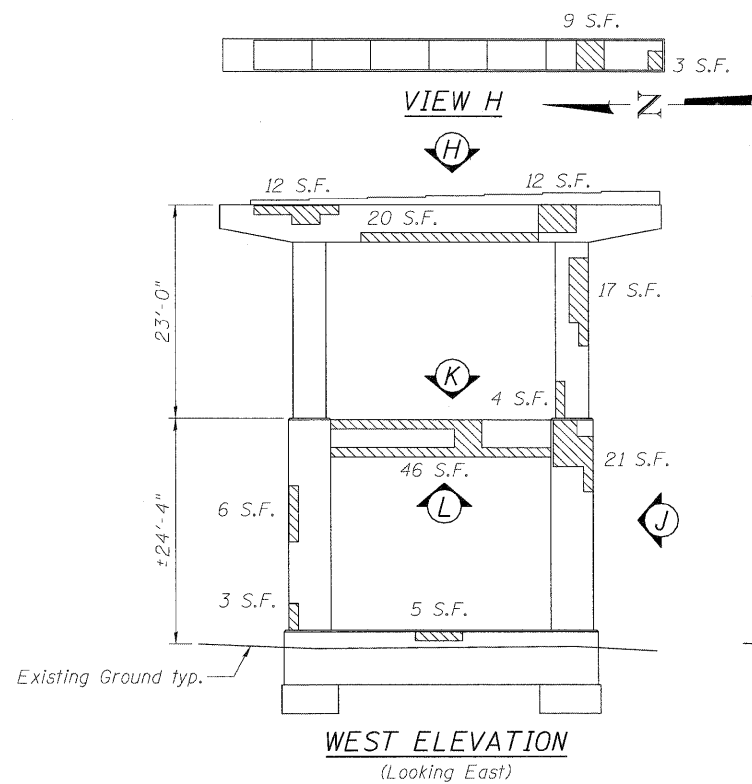


PIER 19

Structural Repair of Concrete (Depth < 5") = 668 Sq. Ft.
 Structural Repair of Concrete (Depth > 5") = 0 Sq. Ft.

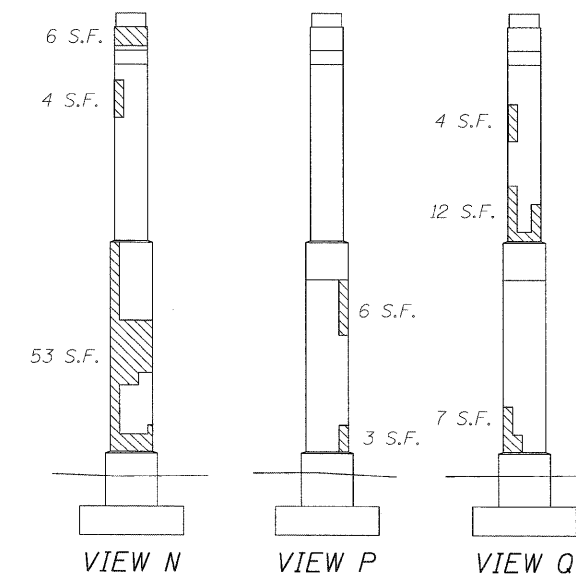
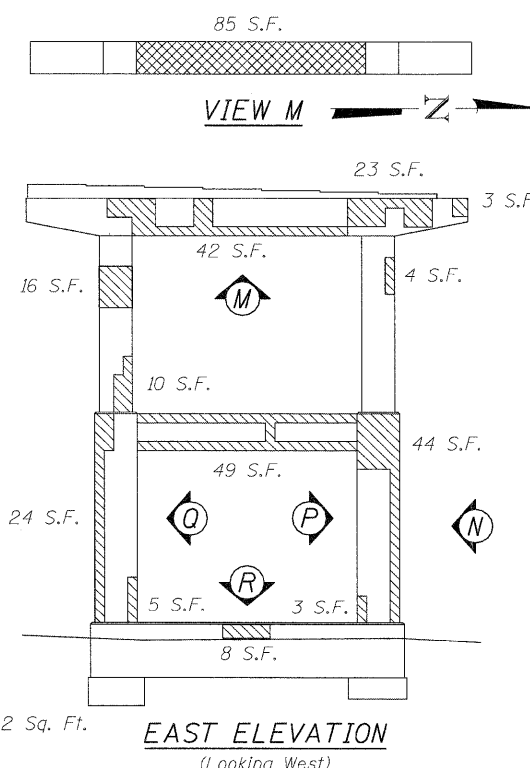
NOTES: See Sheet S-18 for Temporary Shoring and Cribbing, Special locations.



PIER 20

Structural Repair of Concrete (Depth < 5") = 662 Sq. Ft.
 Structural Repair of Concrete (Depth > 5") = 85 Sq. Ft.

NOTES: See Sheet S-18 for Temporary Shoring and Cribbing, Special locations.



PIER 20

USER NAME = Imjeller	DESIGNED - JC	REVISED -
PLOT SCALE = NTS	DRAWN - JC	REVISED -
PLOT DATE = 1/20/2011 12:58:29 PM	CHECKED - DF	REVISED -
	DATE - 01/21/2011	REVISED -



STATE OF ILLINOIS
DEPARTMENT OF TRANSPORTATION

PIER REPAIR DETAILS
EASTBOUND FAI-80 OVER DES PLAINES RIVER
STRUCTURE NO. 099-0056

SHEET NO. S-32 OF S-35 SHEETS

F.A.I. RTE.	SECTION	COUNTY	TOTAL SHEETS	SHEET NO.
80	99(2&3)RS-3	WILL	200	139
FED. ROAD DIST. NO.			ILLINOIS FED. AID PROJECT	

CONTRACT NO. 60M64