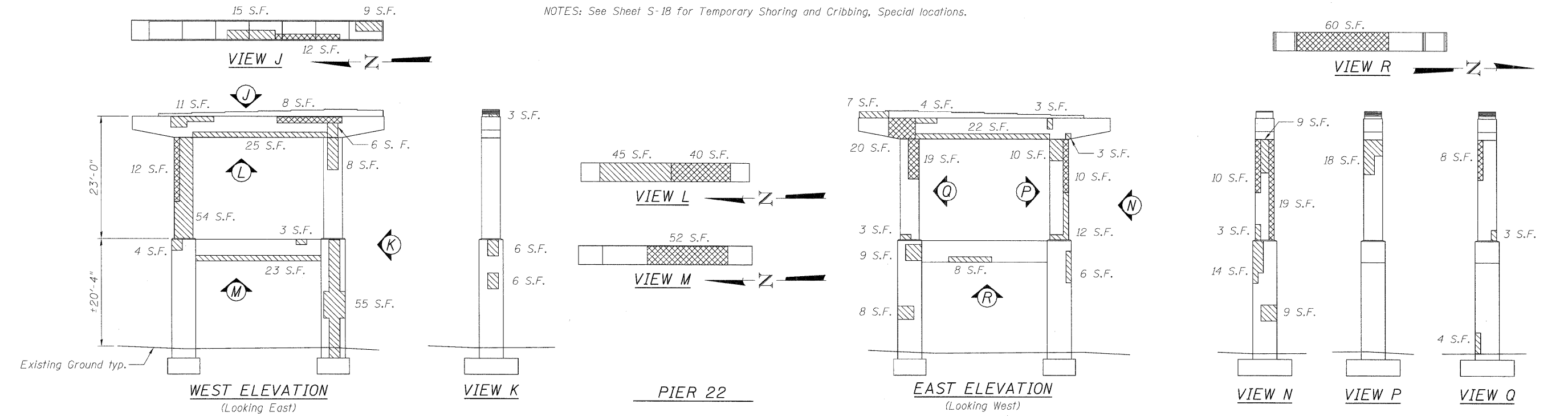


Structural Repair of Concrete (Depth < 5") = 396 Sq. Ft.

Structural Repair of Concrete (Depth > 5") = 186 Sq. Ft.

NOTES: See Sheet S-18 for Temporary Shoring and Cribbing, Special locations.



Structural Repair of Concrete (Depth < 5") = 428 Sq. Ft.

Structural Repair of Concrete (Depth > 5") = 270 Sq. Ft.

NOTES: See Sheet S-18 for Temporary Shoring and Cribbing, Special locations.

USER NAME = <i>truelier</i>	DESIGNED - JC	REVISED -		<b>STATE OF ILLINOIS</b> <b>DEPARTMENT OF TRANSPORTATION</b>	<b>PIER REPAIR DETAILS</b> <b>EASTBOUND FAI-80 OVER DES PLAINES RIVER</b> <b>STRUCTURE NO. 099-0056</b>	F.A.I. RTE.	SECTION	COUNTY	TOTAL SHEETS	SHEET NO.
PLOT SCALE = NTS	DRAWN - JC	REVISED -				80	9912&3RS-3	WILL	200	140
PLOT DATE = 1/20/2011 12:58:31 PM	CHECKED - DF	REVISED -				CONTRACT NO. 60M64				
DATE = 01/21/2011	REVISED -	SHEET NO. S-33 OF S-35 SHEETS								
						FED. ROAD DIST. NO.		ILLINOIS FED. AID PROJECT		

sn\056\05.cadd\cadd sheets\0990056-60M64-033-PR21-22.dgn