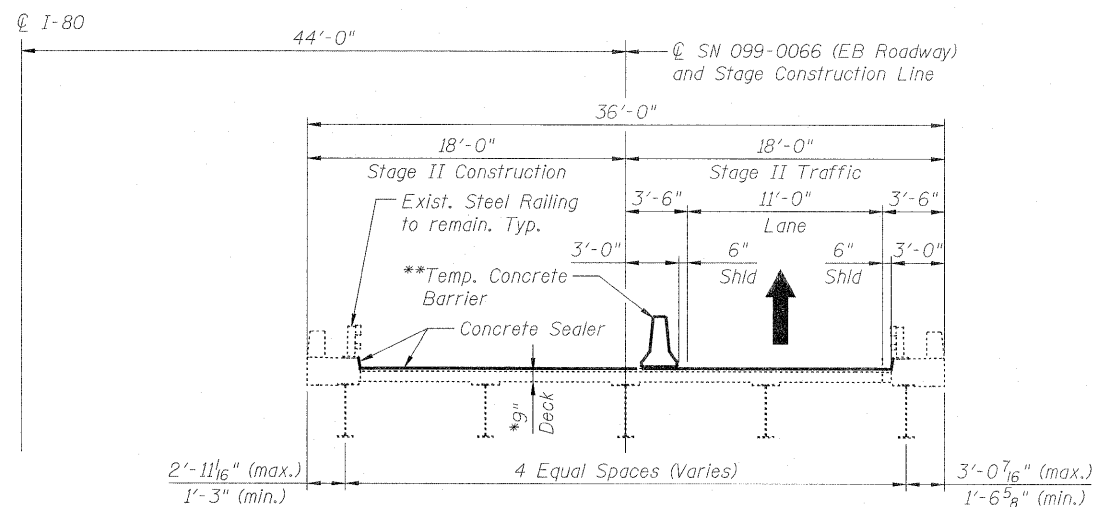


\* 6<sup>1</sup>/<sub>4</sub>" reinforced concrete slab with 2<sup>3</sup>/<sub>4</sub>" Latex Concrete Overlay

### STAGE I CONSTRUCTION & TRAFFIC

(Looking East)



\* 6<sup>1</sup>/<sub>4</sub>" reinforced concrete slab with 2<sup>3</sup>/<sub>4</sub>" Latex Concrete Overlay

### STAGE II CONSTRUCTION & TRAFFIC

(Looking East)

\*\* After removal of temporary concrete barrier, repair dowel holes with non-shrink epoxy grout as directed by the Engineer. Cost of anchorage and repair is included with Temporary Concrete Barrier.

### TOTAL BILL OF MATERIAL

ITEM	UNIT	SUPER	SUB	TOTAL
Concrete Sealer	Sq. Ft.	17,648	-	17,648
Protective Shield (Permanent)	Sq. Yd.	370	-	370
Structural Repair of Concrete (Depth < 5")	Sq. Ft.	-	396	396
Structural Repair of Concrete (Depth > 5")	Sq. Ft.	-	125	125
Deck Slab Repair (Partial)	Sq. Yd.	206	-	206
Silicone Joint Sealer, 1 <sup>3</sup> / <sub>4</sub> "	Foot	37	-	37
Silicone Joint Sealer, 2"	Foot	44	-	44
Silicone Joint Sealer, 2 <sup>3</sup> / <sub>4</sub> "	Foot	37	-	37
Silicone Joint Sealer, 3"	Foot	44	-	44
Polymer Concrete	Cu. Ft.	13	-	13
Temporary Shoring and Cribbing	Each	8	-	8

### GENERAL NOTES:

- Reinforcement bars shall conform to the requirements of ASTM A 706 Grade 60. See Special Provisions.
- Concrete Sealer shall be applied to the entire top surface of bridge deck and inside vertical face of curbs. All work shall be performed in accordance with the provisions of Section 587 of the Standard Specification. When directed by the Engineer, all surfaces to be coated shall be thoroughly cleaned by power washing or other appropriate means prior to the application of Concrete Sealer. Cleaning is included with the cost of "Concrete Sealer". Existing pavement markings shall be temporarily covered prior to application of the deck surface treatment, to prevent the material from being applied to the markings. The temporary covering shall be removed after application of the deck surface treatment and prior to opening to traffic. Cost included with "Concrete Sealer".
- Plan dimensions and details relative to existing structure have been taken from existing plans and are subject to nominal construction variations. Contractor should verify dimensions and make necessary approved adjustments prior to starting construction. Such variations shall not be cause for additional compensation for a change in scope of work, however, the Contractor will be paid for actual quantity furnished and approved by Engineer at unit price bid for the work.
- Areas of proposed deck repairs are estimated. Actual type, location and dimension of deck repairs are to be determined by the Engineer during construction.

USER NAME = ajgorgicoglu(Rdwg.L1s1e)	DESIGNED - A.Y./L.C.	REVISED -		<b>STATE OF ILLINOIS</b> <b>DEPARTMENT OF TRANSPORTATION</b>	<b>CONSTRUCTION STAGING, NOTES, AND TOTAL BILL OF MATERIALS</b> <b>EASTBOUND I-80 OVER CNRR AND ROWELL AVENUE</b> <b>SN 099-0066</b>			F.A.I. RTE.	SECTION	COUNTY	TOTAL SHEETS	SHEET NO.
PLOT CONFIG = PDF(I-80_TopoGrey_Large).p	DRAWN - L.C./A.Y.	REVISED -			80	99 (2&3) RS-3	WILL	200	178			
PLOT SCALE = 1/8"=1'-0"	CHECKED - A.Y./R.L.D.	REVISED -			CONTRACT NO. 60M64							
PLOT DATE = 2/8/2011	DATE - 01/21/2011	REVISED -			FED. ROAD DIST. NO. 1 ILLINOIS FED. AID PROJECT							