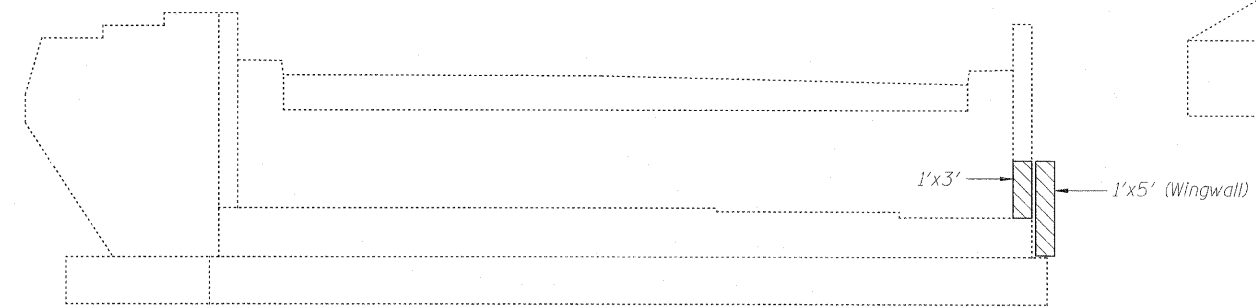
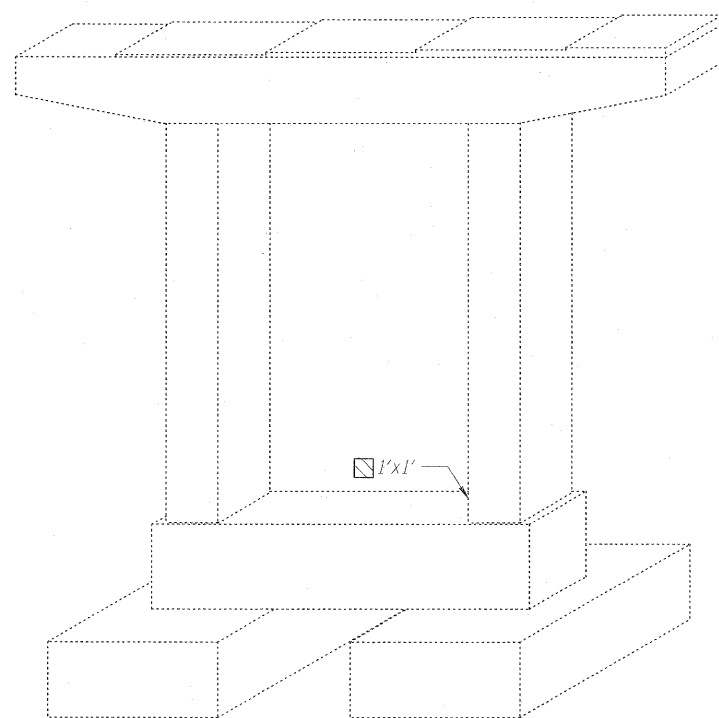


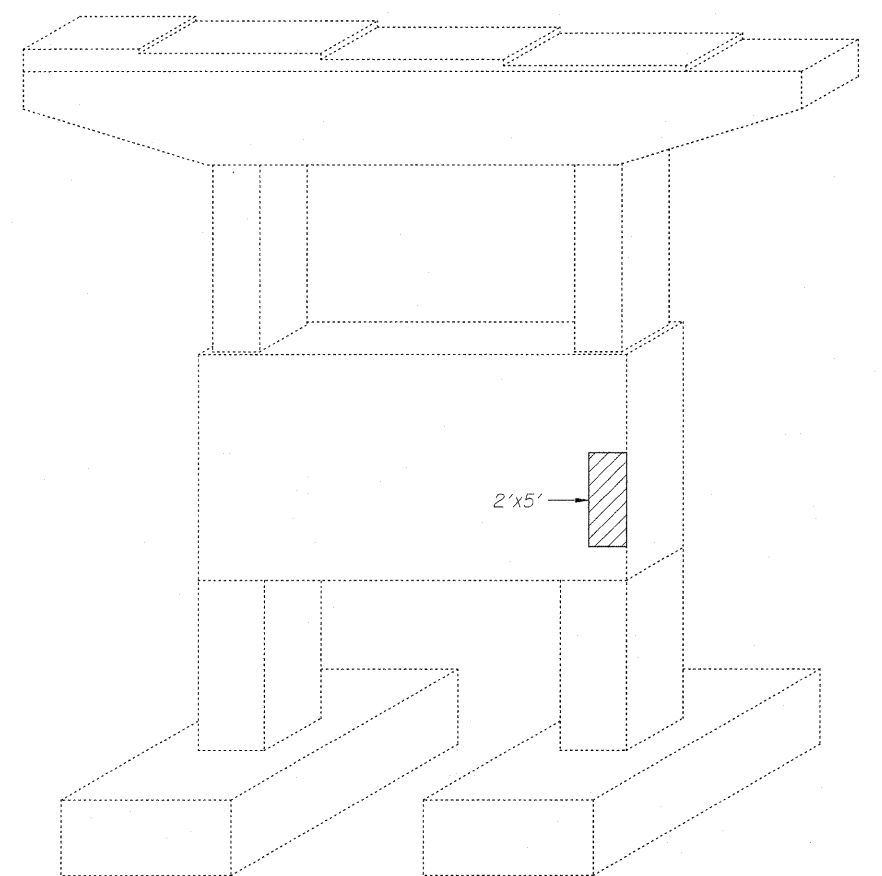
SOUTHWEST ABUTMENT



SOUTHEAST ABUTMENT



**PIER 1
EAST FACE**



**PIER 5
WEST FACE**

LEGEND:

- Structural Repair of Concrete (Depth > 5")
- Structural Repair of Concrete (Depth < 5")

BILL OF MATERIAL

ITEM	UNIT	TOTAL
Structural Repair of Concrete (Depth <= 5")	Sq. Ft.	27