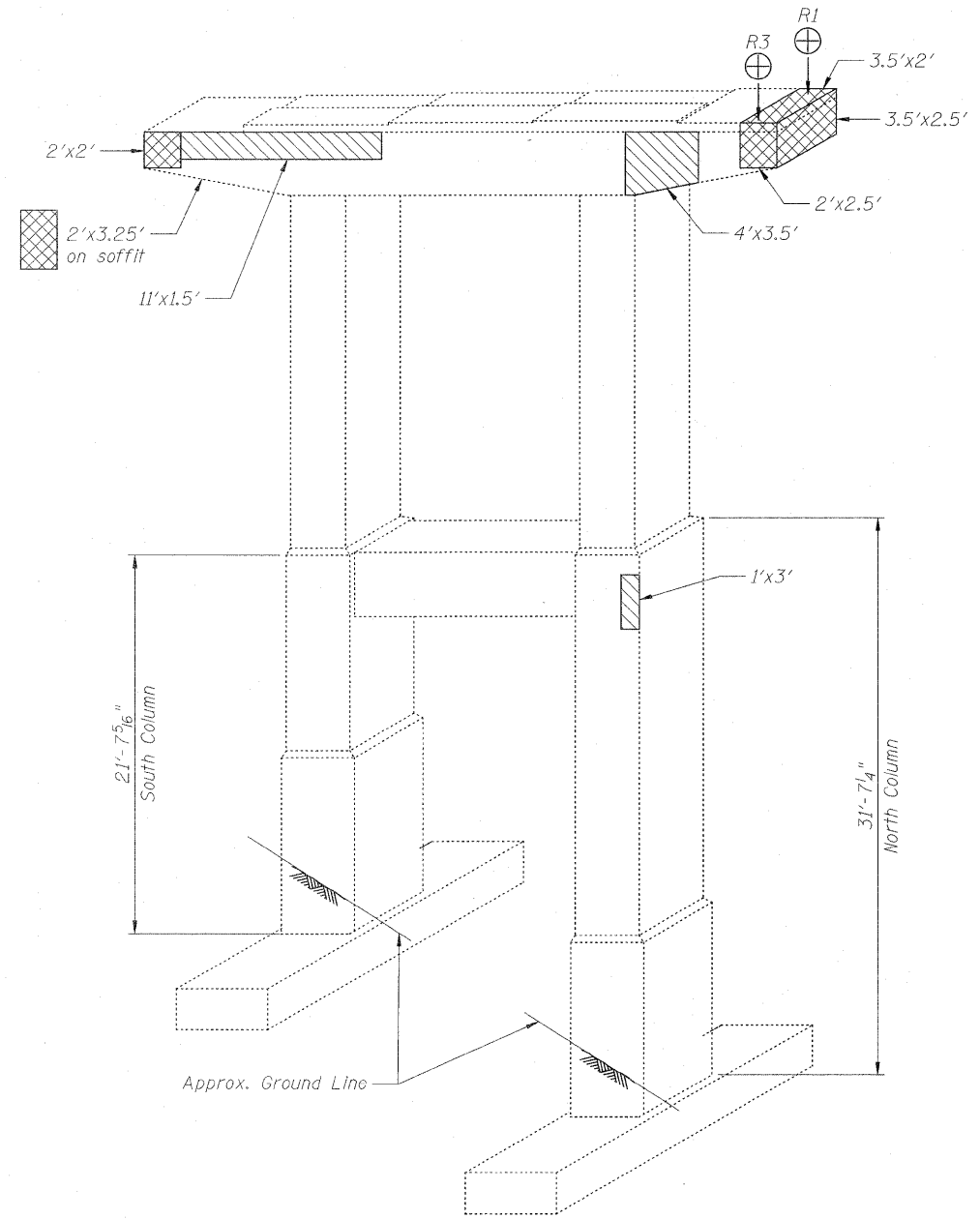


PIER 3
WEST FACE



PIER 3
EAST FACE

LEGEND:

- Structural Repair of Concrete (Depth > 5")
- Structural Repair of Concrete (Depth < 5")
- Temporary Shoring and Cribbing

INTERIOR GIRDER REACTION TABLE			
	R1	R2	R3
R ₁	30.6	27.2	49.4
R ₂	43.2	41.9	47.3
Imp.	12.8	12.6	12.2
R _{Total}	86.5	81.6	109.0

BILL OF MATERIAL

ITEM	UNIT	TOTAL
Structural Repair of Concrete (Depth <= 5")	Sq. Ft.	164
Structural Repair of Concrete (Depth > 5")	Sq. Ft.	60
Temporary Shoring and Cribbing	Each	4

Note:
See the Special Provision "Temporary Shoring and Cribbing" for design, installation, and removal of the temporary shoring and cribbing support system. Approximate beam reactions are given in Interior Girder Reaction Table at the locations shown.