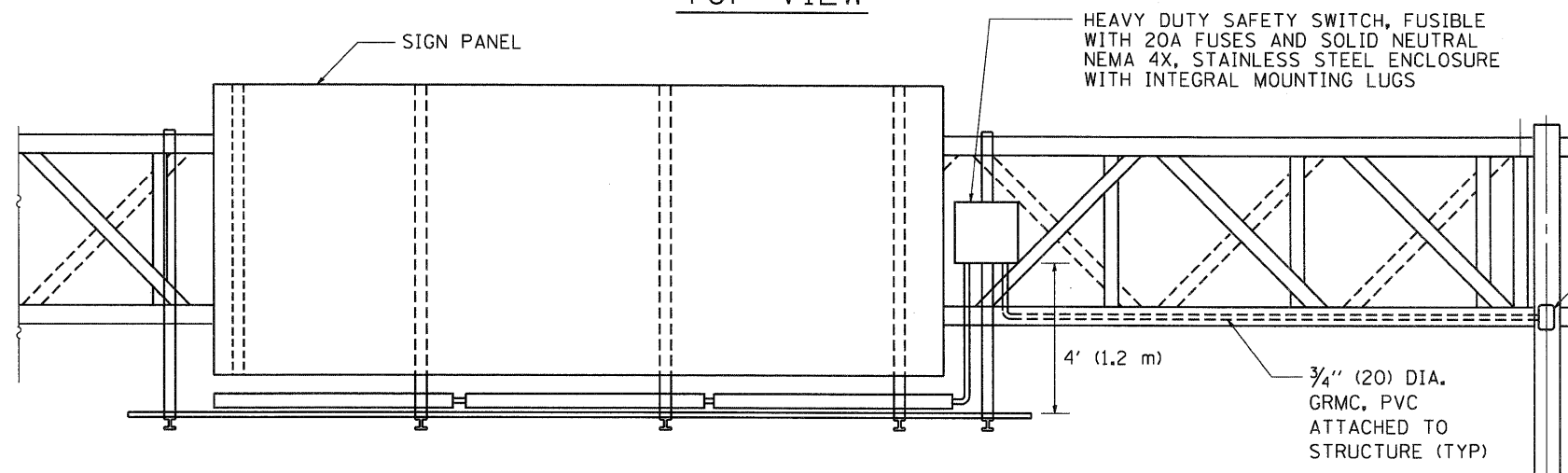
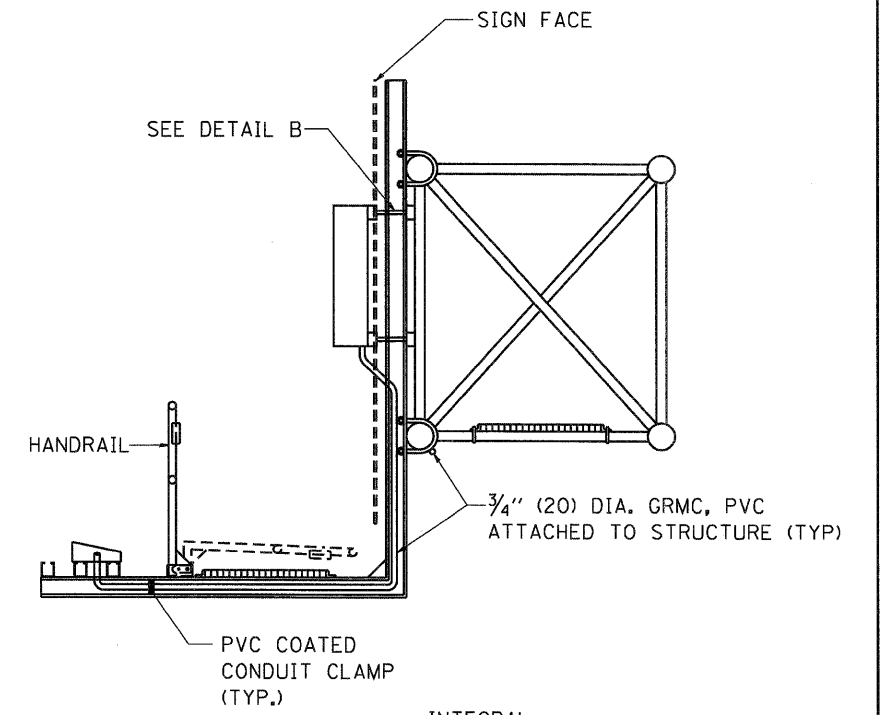
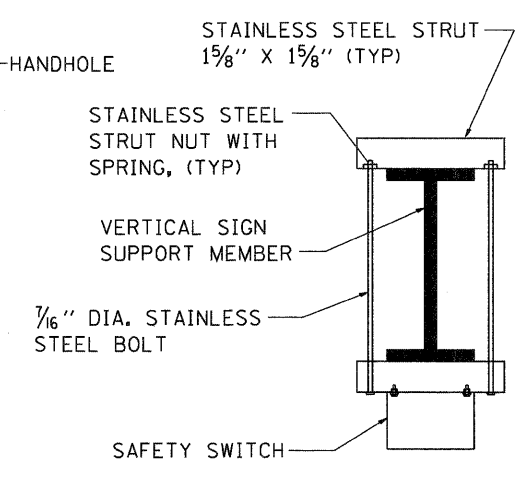


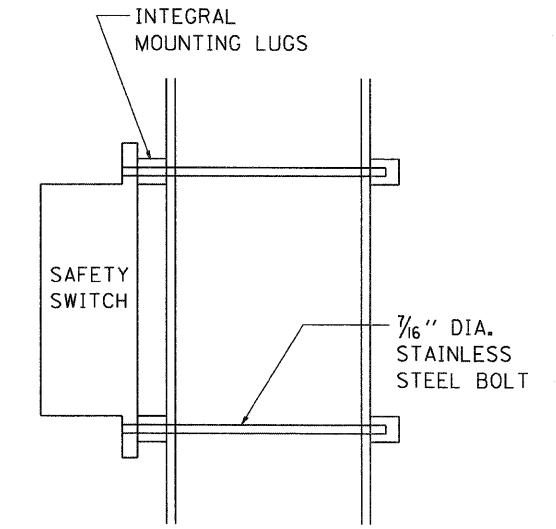
TOP VIEW



ELEVATION VIEW



TOP VIEW



SIDE VIEW

DETAIL B

INFORMATION ONLY

FILE NAME = M:\diststd\22x34\be600.dgn	USER NAME = geglienobt	DESIGNED -	REVISED - 09-19-04
		DRAWN -	REVISED -
	PLOT SCALE = 50,0000' / IN.	CHECKED -	REVISED -
	PLOT DATE = 1/4/2008	DATE -	REVISED -

**STATE OF ILLINOIS
DEPARTMENT OF TRANSPORTATION**

ELECTRIC CONNECTION TO SIGN STRUCTURE	
SPAN TYPE	
SCALE: NONE	SHEET NO. 2 OF 2 SHEETS STA. TO STA.

F.A. RTE.	SECTION	COUNTY	TOTAL SHEETS	SHEET NO.
80	2010-150-DTR	80	200	188
BE-600			CONTRACT NO. 60M64	
FED. ROAD DIST. NO. 1 ILLINOIS FED. AID PROJECT				