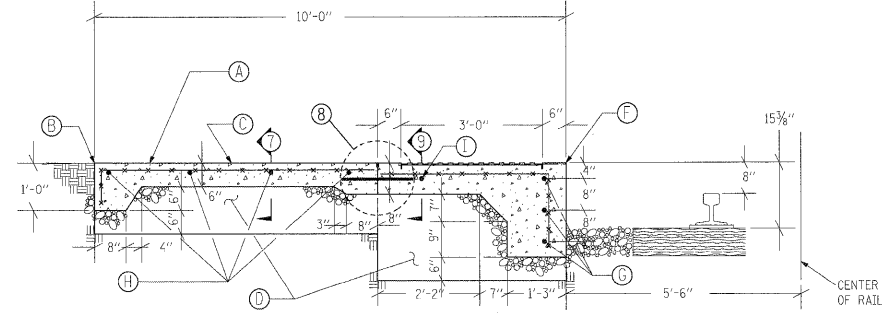


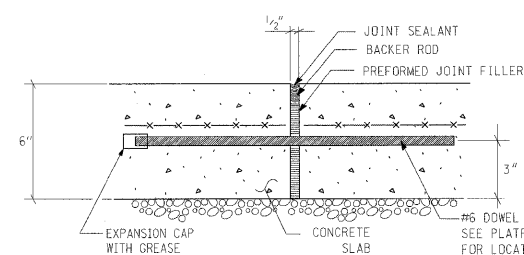
CONC02-TYP 1A TYPICAL PLATFORM SECTION BY BUILDING



CONC04-TYP 3 TYPICAL PLATFORM SECTION AT PLATFORM ENDS AND GRADE CROSSINGS

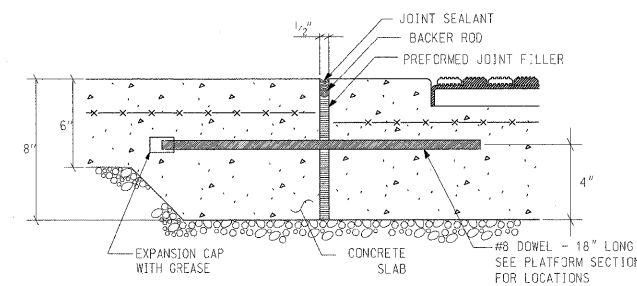
- LEGEND:
- (A) CONCRETE SLAB WITH 6" x 6" W2.9 x W2.9 W.W.F.
 - (B) REGRADE SOIL TO TOP OF PLATFORM
 - (C) APPLY CONCRETE SEALANT
 - (D) GRANULAR BASE, TYPE 5, GRADATION CA 6 COMPACTED IN 6" LIFTS TO 95% PROCTOR DENSITY. VARIABLE DEPTH.
 - (E) 2'-0" W x 4'-0" L SURFACE APPLIED DETECTABLE WARNING TILE, FULLY ADHERED AND FASTENED WITH STAINLESS STEEL FASTENERS. TOP OF DOMES SHALL BE FLUSH WITH THE TOP OF THE TIMBER CURB AND TOP OF THE CONCRETE CURB. MILL CONCRETE SURFACE 3/8" TO ACCEPT TACTILE.
 - (F) GROOVE CONCRETE EDGE EVERY 2'-0" THE ENTIRE LENGTH OF THE PLATFORM TO A DEPTH EQUAL TO THE BOTTOM OF THE TRUNCATED DOMES FOR DRAINAGE.
 - (G) CONTINUOUS #5 BARS FOR THE ENTIRE LENGTH OF THE PLATFORM
 - (H) #6 DOWELS - 18" LONG AT EXPANSION JOINTS
 - (I) #8 DOWELS - 18" LONG AT EXPANSION JOINTS

ALL DRAWINGS NOT TO SCALE



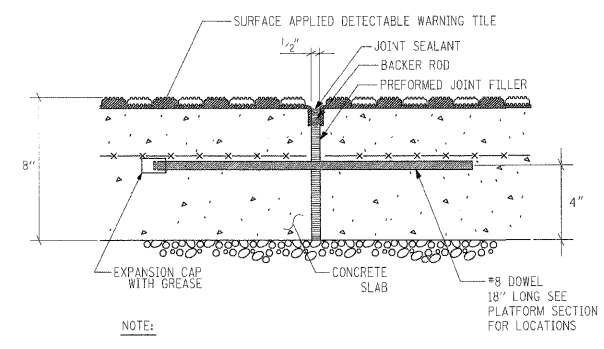
CONC05-TYP 7 TRANSVERSE EXPANSION JOINT

NOTE: EXPANSION JOINTS SHALL BE PLACED EVERY 24'-0", PERPENDICULAR TO THE PLATFORM EDGE FOR THE ENTIRE WIDTH OF THE PLATFORM. CONTRACTION JOINTS (DETAILS 5 AND 6) SHALL BE PLACED EVERY 6'-0", PERPENDICULAR TO THE PLATFORM EDGE FOR THE ENTIRE WIDTH OF THE PLATFORM. EXPANSION JOINTS AND CONTRACTION JOINTS ARE TO MATCH THE DETECTABLE WARNING TILE JOINTS.



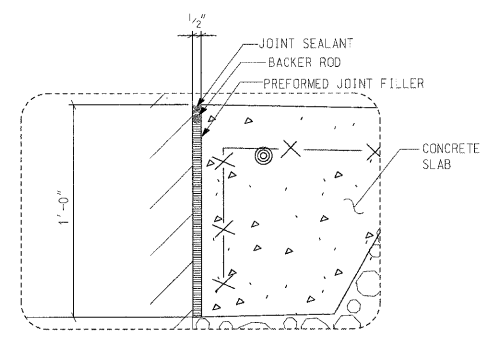
CONC06-TYP 8 LONGITUDINAL EXPANSION JOINT

NOTE: EXPANSION JOINT SHALL BE PLACED 3'-0" FROM THE EDGE OF PLATFORM FOR THE ENTIRE LENGTH OF THE PLATFORM, EXCEPT AT GRADE CROSSINGS (SEE DETECTABLE WARNING TILE INSTALLATION-PEDESTRIAN-AT-GRADE CROSSING DETAIL). INSTALL DOWEL BARS ON 2'-0" CENTERS FOR ENTIRE LENGTH OF PLATFORM.

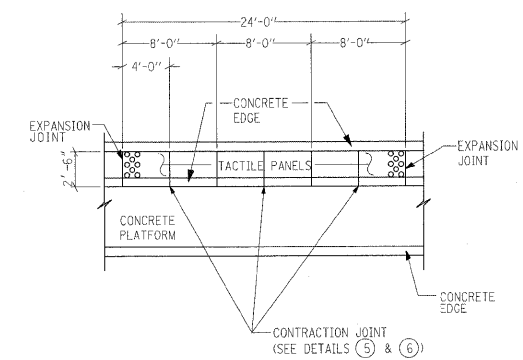


CONC07-TYP 9 SURFACE APPLIED DETECTABLE WARNING TILE EXPANSION JOINT

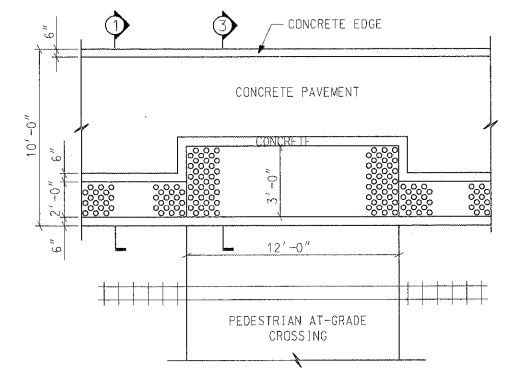
NOTE: EXPANSION JOINTS SHALL BE PLACED EVERY 24'-0", PERPENDICULAR TO THE PLATFORM EDGE FOR THE ENTIRE WIDTH OF THE CONCRETE SLAB. CONTRACTION JOINTS (DETAILS 5 AND 6) SHALL BE PLACED EVERY 8'-0", PERPENDICULAR TO THE PLATFORM EDGE FOR THE ENTIRE WIDTH OF THE CONCRETE SLAB. EXPANSION JOINTS AND CONTRACTION JOINTS ARE TO MATCH THE DETECTABLE WARNING TILE JOINTS.



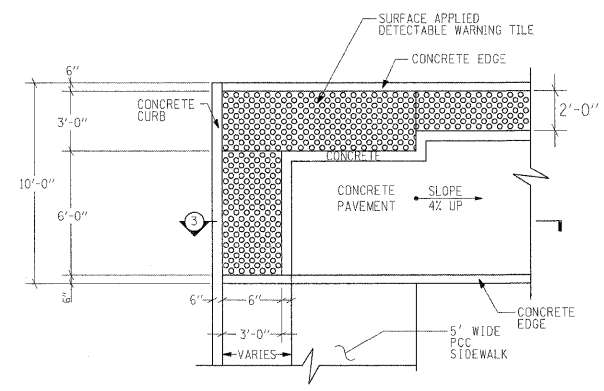
CONC08-TYP 4 EXPANSION JOINT AT WALL



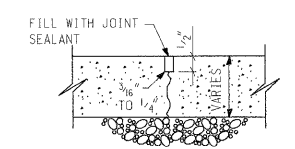
CONC09-TYP 10 TYPICAL TACTILE JOINT-PLAN



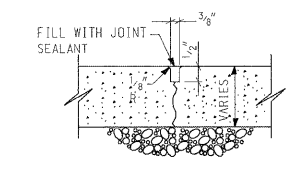
CONC10-TYP 11 DETECTABLE WARNING TILE INSTALLATION PEDESTRIAN AT-GRADE CROSSING



CONC11-TYP 12 DETECTABLE WARNING TILE INSTALLATION AT SIDEWALK



PLAT-01 5 SAWED CONTRACTION JOINT



PLAT-02 6 TOOLED CONTRACTION JOINT

FILE NAME =	USER NAME = JSpiakermann	DESIGNED MGS	REVISIONS	STATE OF ILLINOIS DEPARTMENT OF TRANSPORTATION	METRA STATION AND PLATFORMS DETAILS	F.A. RTE.	SECTION	COUNTY	TOTAL SHEETS	SHEET NO.
	PLOT SCALE = NONE	CHECKED JRS	REVISIONS			330	2010-135-1	COOK	101	53
	PLOT DATE = 08/13/10	DATE 12/27/10	REVISIONS			MS-13		CONTRACT NO. 60N09		ILLINOIS FED. AID PROJECT
						SCALE: NONE	SHEET NO. 2 OF 5 SHEETS	STA.	TO STA.	