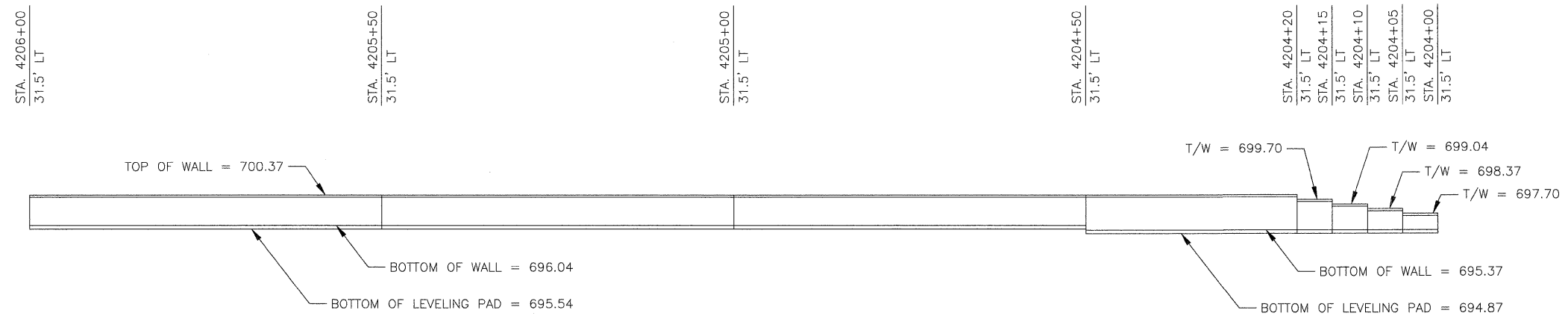
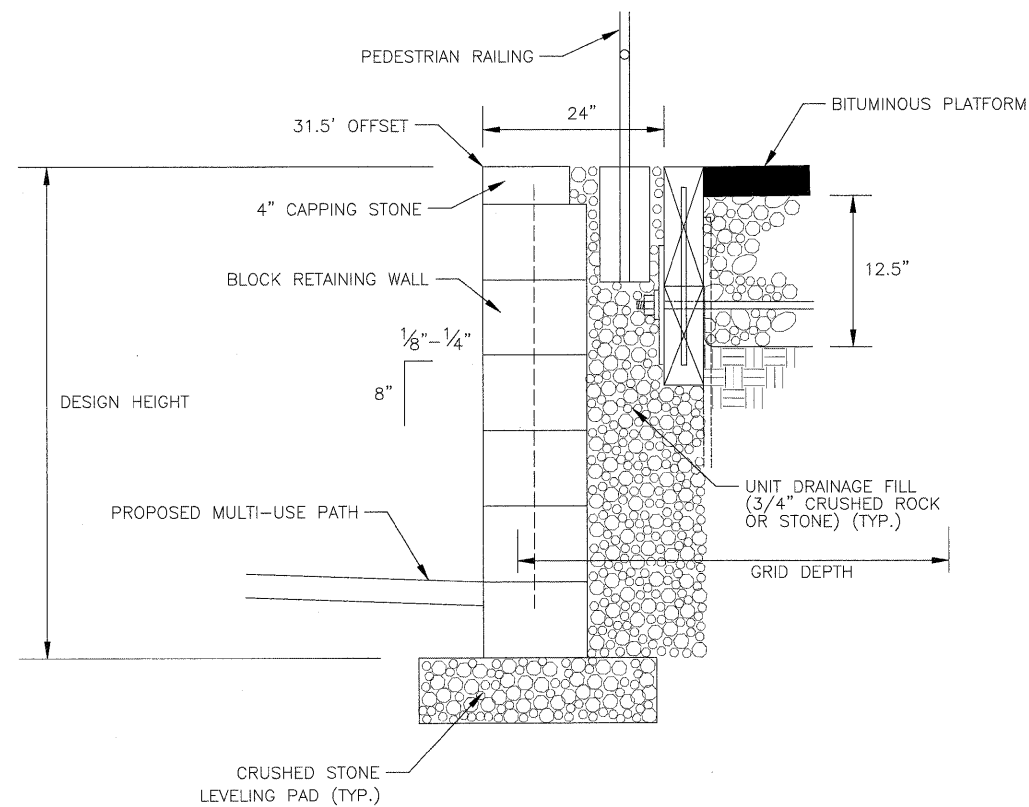


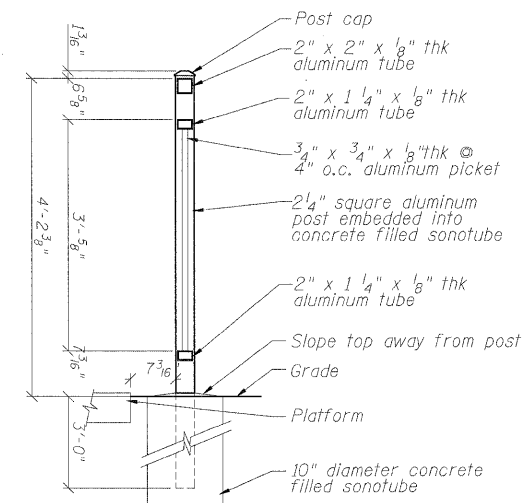
# PLATFORM – SEGMENTAL BLOCK WALL



PLATFORM SEGMENTAL BLOCK WALL – ELEVATION



PLATFORM SEGMENTAL BLOCK WALL – TYPICAL SECTION



TYPICAL PEDESTRIAN RAILING DETAIL NEXT TO PLATFORM

FILE NAME =	USER NAME = JSpiekermann	DESIGNED MGS	REVISED -	<b>STATE OF ILLINOIS DEPARTMENT OF TRANSPORTATION</b>	<b>METRA STATION AND PLATFORMS DETAILS</b>			F.A. RTE.	SECTION	COUNTY	TOTAL SHEETS	SHEET NO.	
	PLOT SCALE = NONE	DRAWN MGS	REVISED -		SCALE: NONE	SHEET NO. 5 OF 5 SHEETS	STA.	TO STA.	330	2010-135-1	COOK	101	56
	PLOT DATE = 08/13/10	CHECKED JRS	REVISED -						<b>MS-16</b>		CONTRACT NO. 60N09		
		DATE 12/27/10	REVISED -						ILLINOIS FED. AID PROJECT				