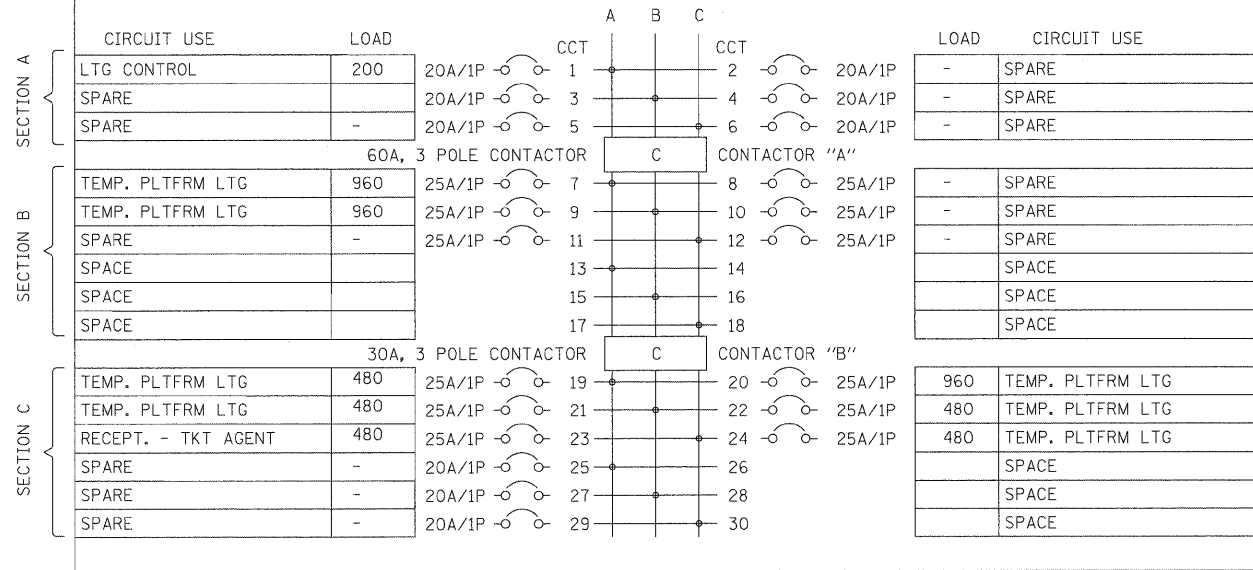


EXISTING PANELBOARD TPL

VOLTAGE: 120 / 208 V WIRE: 4 TOTAL CONNECTED WATTS - 5480
 MAIN: 100A MOUNTING: SURFACE PHASE A - 2600 PHASE B - 1920 PHASE C - 960



EXISTING PANELBOARD PPL

VOLTAGE: 120 / 208 V WIRE: 4 TOTAL CONNECTED WATTS - 9020
 MAIN: 100A MOUNTING: SURFACE PHASE A - 4190 PHASE B - 4200 PHASE C - 630

