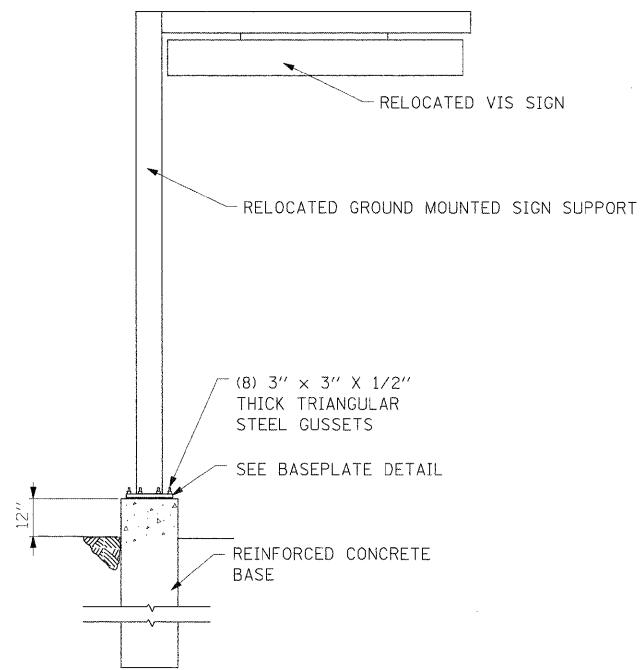


SECTION A-A

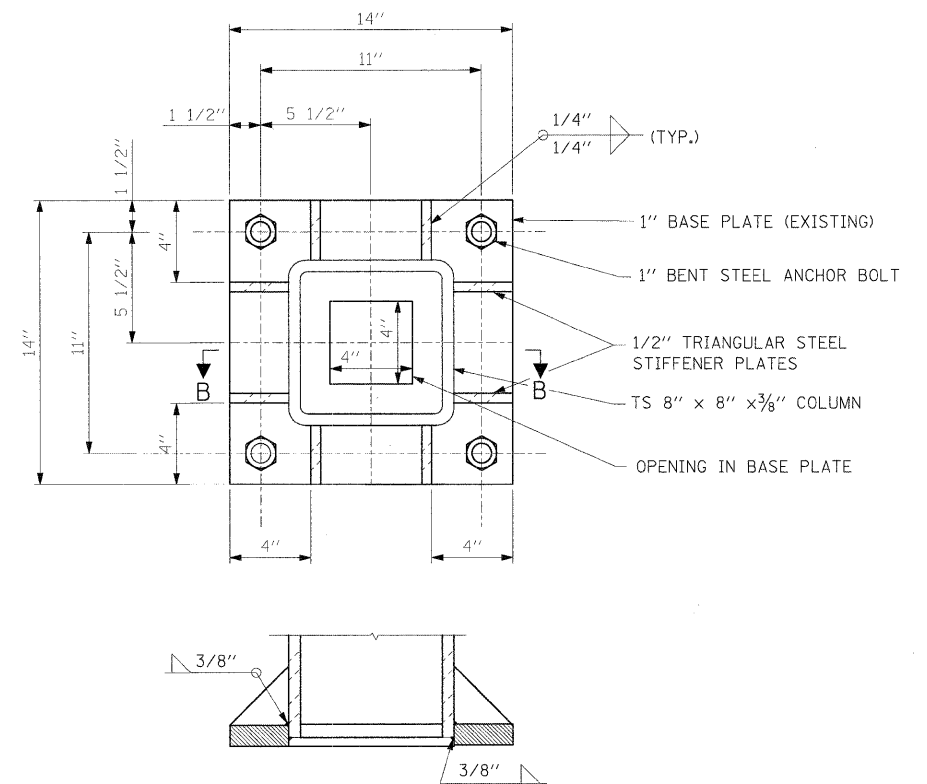
NEW VIS POLE FOUNDATION DETAIL

SCALE: NONE



VIS POLE DETAIL

SCALE: NONE



SECTION B-B

RELOCATED BASE PLATE DETAIL

SCALE: NONE

FILE NAME #	USER NAME = JSpsekermann	DESIGNED MB	REVISED -	STATE OF ILLINOIS DEPARTMENT OF TRANSPORTATION	METRA STATION AND PLATFORMS ELECTRICAL DETAILS			F.A. RTE.	SECTION	COUNTY	TOTAL SHEETS	SHEET NO.	
		DRAWN MB	REVISED -					330	2010-135-I	COOK	101	65	
	PLOT SCALE = NONE	CHECKED MCP	REVISED -					MSE-9				CONTRACT NO. 60N09	
	PLOT DATE = 08/13/10	DATE 12/27/10	REVISED -					ILLINOIS FED. AID PROJECT					
					SCALE: NONE	SHEET NO. 2 OF 2 SHEETS	STA.	TO STA.					