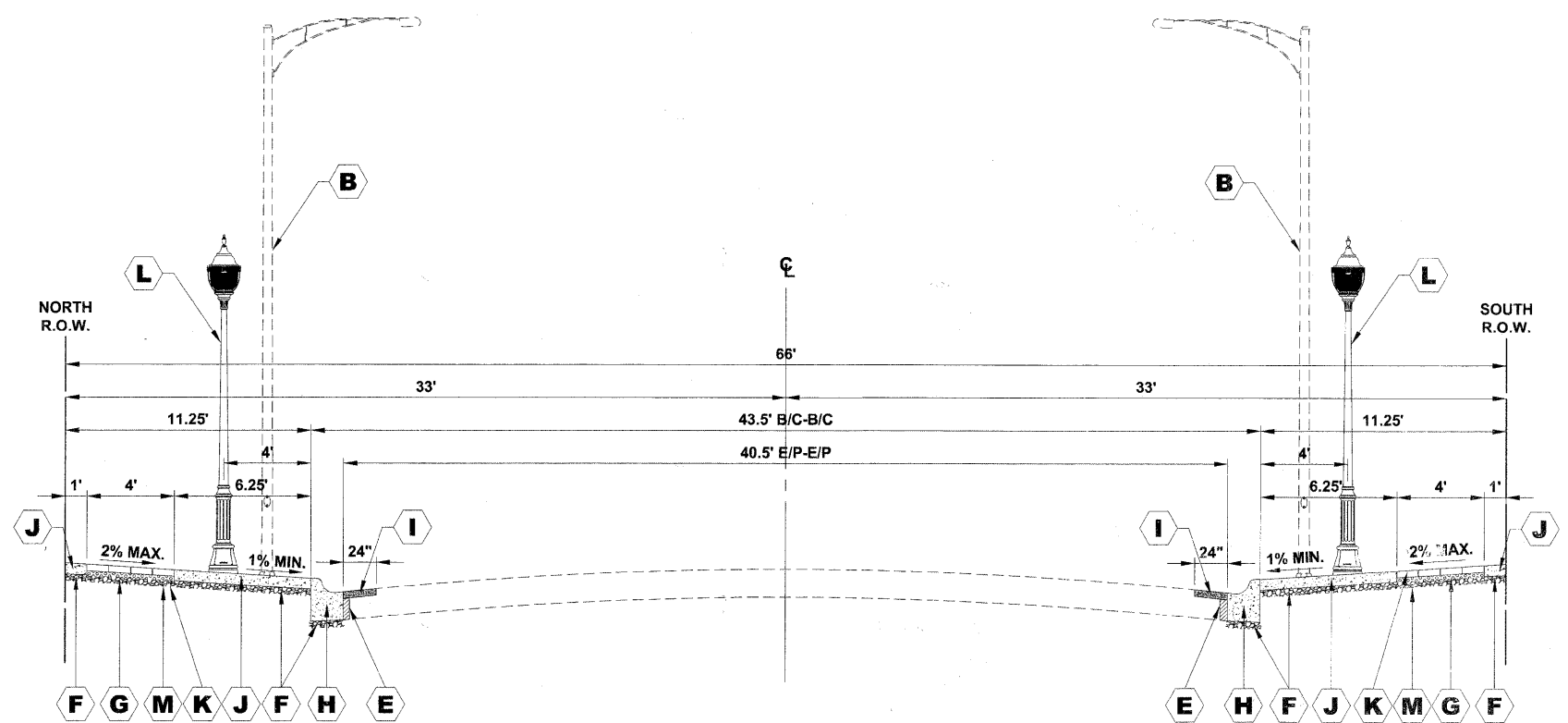


EXISTING TYPICAL CROSS SECTION
GRAND AVENUE
STATION 4+00 TO STATION 11+85



PROPOSED TYPICAL CROSS SECTION
GRAND AVENUE
STATION 4+00 TO STATION 11+85

SYMBOL	DESCRIPTION
A	COMBINATION CONCRETE CURB AND GUTTER REMOVAL (AS NOTED ON PLANS)
B	EXISTING ROADWAY LIGHT POLE, 35' MOUNTING HEIGHT WITH 8' OR 12' MAST ARM AT APPROXIMATELY 180' SPACING
C	EXISTING PORTLAND CEMENT CONCRETE SIDEWALK REMOVAL TO BE PAID FOR AS SIDEWALK REMOVAL (SPECIAL)
D	EXISTING SIDEWALK AREA - PORTLAND CEMENT CONCRETE, ASPHALT, OR AS NOTED ON PLANS REMOVAL TO BE PAID FOR AS SIDEWALK REMOVAL OR DRIVEWAY REMOVAL AS NOTED ON PLANS
E	6" CONCRETE WEDGE REMOVAL AND PLACEMENT (INCLUDED IN COMBINATION CONCRETE CURB AND GUTTER, TYPE B-6.12 (SPECIAL))
F	STONE BEDDING MATERIAL (2")
G	AGGREGATE BASE COURSE, TYPE B, 4"
H	COMBINATION CONCRETE CURB AND GUTTER REMOVAL WITH COMBINATION CONCRETE CURB AND GUTTER TYPE B-6.12 (SPECIAL)
I	HOT-MIX ASPHALT SURFACE COURSE, MIX "D", N70
J	PORTLAND CEMENT CONCRETE SIDEWALK, 5 INCH
K	PAVING BRICK SIDEWALK
L	DECORATIVE LIGHT POLE, ALUMINUM, 12' MOUNTING HEIGHT WITH DECORATIVE ACORN STYLE LUMINAIRE, SODIUM VAPOR, TENON MOUNT, 70 WATT
M	GEOTECHNICAL FABRIC (SPECIAL)
N	PORTLAND CEMENT CONCRETE BASE COURSE 6"
O	EXISTING PAVEMENT (HMA SURFACE COURSE OVER PCC BASE) THICKNESS OF PCC BASE +/- 10"
P	HOT-MIX ASPHALT SURFACE REMOVAL, 1 1/2"

NOTE:
 USE PORTLAND CEMENT CONCRETE BASE COURSE 6" UNDER PAVING BRICK SIDEWALK, WHERE BRICK SIDEWALK BUTTS AGAINST CURB AND FOR PORTIONS OF SIDEWALK WITH KEYSTONE AND CROSS-WALKS. EXACT LOCATIONS TO BE DETERMINED BY ENGINEER IN FIELD.
 USE PORTLAND CEMENT CONCRETE BASE COURSE, 8" UNDER PAVING BRICK SIDEWALKS CROSS DRIVEWAY PAVEMENTS. EXACT LOCATIONS TO BE DETERMINED BY ENGINEER IN FIELD.

Drawing file: W:\Projects\76610007 - Grand Ave Streetscape Stage II\5_Typicals.dwg Jan 10, 2011 1:03pm

HANCOCK ENGINEERING
 3531 Riverside Blvd
 Wheeling, Illinois 60094-2700
 Phone: 708-963-0100
 Fax: 708-963-0101
 Established 1911

USER NAME -	DESIGNED - MK	REVISED - 1-5-11 IDOT FINAL
	DRAWN - MK/LEV	REVISED - 6-28-10 IDOT PRE-FINAL
PLOT SCALE -	CHECKED - CB	REVISED - 6-04-10 IDOT PSE
PLOT DATE -	DATE - 03-02-10	REVISED - 3-19-10 MWRDGC

STATE OF ILLINOIS
DEPARTMENT OF TRANSPORTATION

GRAND AVENUE STREETSCAPE STAGE II
TYPICAL CROSS SECTIONS

SCALE: NONE SHEET NO. 2 OF 3 SHEETS STA. TO STA.

F.A.U. RTE.	SECTION	COUNTY	TOTAL SHEETS	SHEET NO.
1376	10-00095-00-SW	COOK	29	6
(FIELD BOOK NOS. 1441/1443/1516)		CONTRACT NO. 63511		
FED. ROAD DIST. NO. 1	ILLINOIS	FED. AID PROJECT	TE-00D1(823)	

E.H.E PROJECT NO. 766-10-00720