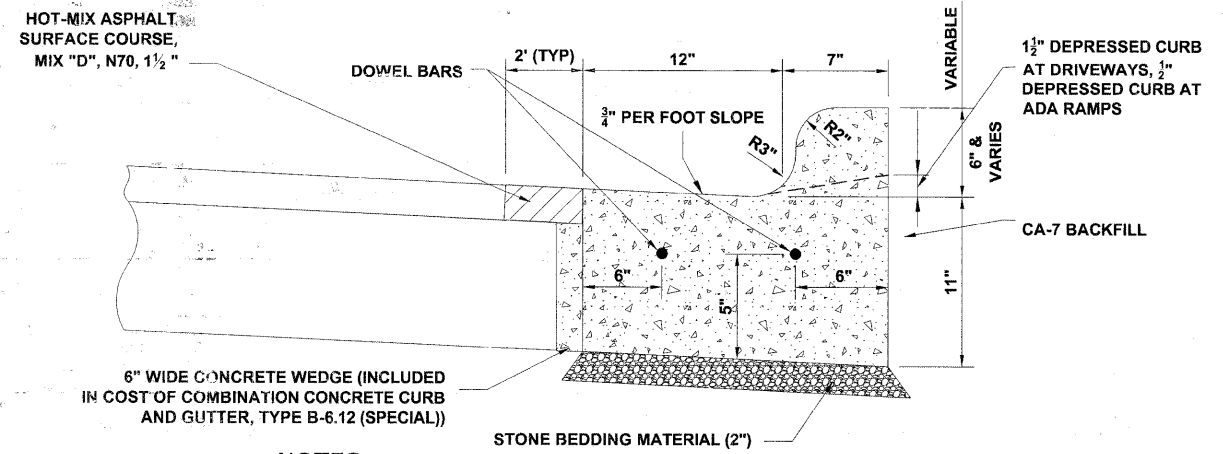


**CAST-IN-PLACE COMPOSITE PAVER TILE FOR DETECTABLE WARNING**

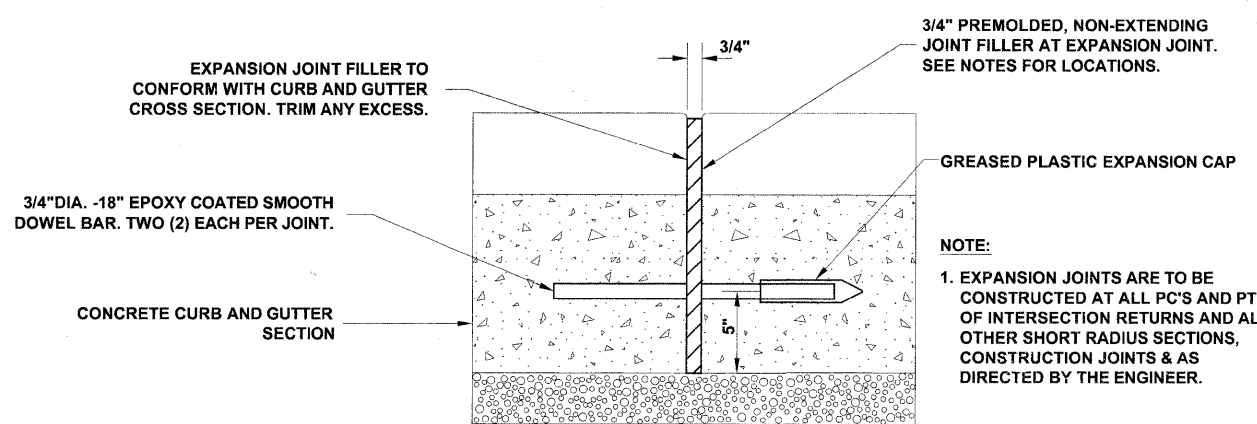
**NOTE:**  
 1. COMPOSITE PAVER TILE USED SHALL BE AS MANUFACTURED BY ADA SOLUTIONS, INC., OR AS APPROVED BY ENGINEER.  
 2. TILE TO BE "BRICK RED" IN COLOR, UNLESS LOCATED WITHIN DECORATIVE BRICK SIDEWALK, IN WHICH CASE, TILE TO BE "YELLOW" IN COLOR.



**NOTES :**

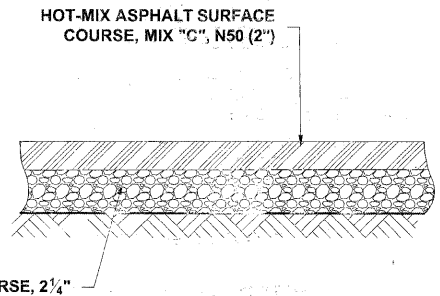
1. PROVIDE 2 - 3/4" DIAMETER, 18" LONG EPOXY COATED SMOOTH DOWEL BARS WITH PLASTIC EXPANSION CAPS AT EACH EXPANSION JOINT.
2. CONTRACTION JOINT - 2" DEEP CONTRACTION JOINTS SHALL BE SAWS AT EQUAL SPACES (NOT EXCEEDING 15 FEET) BETWEEN NORMAL EXPANSION JOINTS, IN THE UPPER 1/3 OF CURB & GUTTERS WITHIN 24 HOURS OF PLACEMENT.
3. A 6" CONCRETE WEDGE IS TO BE POURED IN THE SPACE BETWEEN THE NEW CURB & THE EXISTING PAVEMENT AFTER THE CURB HAS REACHED ITS INITIAL SET
4. THE NEW CURB AND GUTTER SHALL BE BACKFILLED FOR THE FULL-DEPTH OF THE CURB WITH CA-7 OR OTHER STONE APPROVED BY ENGINEER.
5. THE COST OF THE ABOVE SHALL BE INCLUDED IN THE COMBINATION CONCRETE CURB AND GUTTER, TYPE B-6.12 (SPECIAL).

**COMBINATION CONCRETE CURB & GUTTER, TYPE B-6.12 (SPECIAL)**

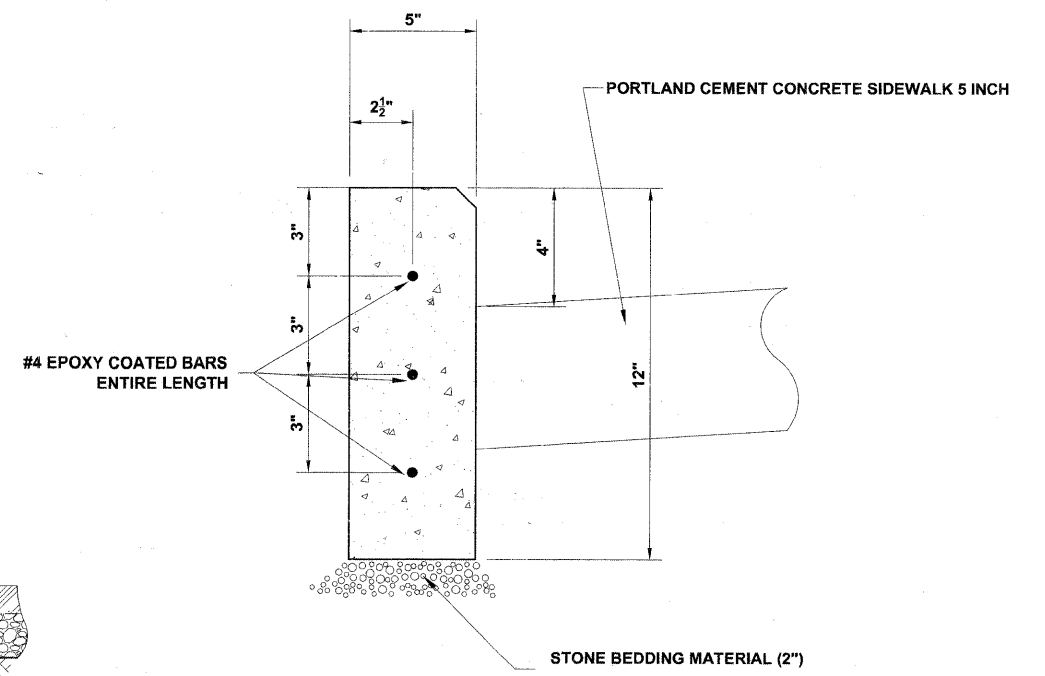


**TYPICAL CURB AND GUTTER EXPANSION JOINT**

**NOTE:**  
 1. EXPANSION JOINTS ARE TO BE CONSTRUCTED AT ALL PC'S AND PT'S OF INTERSECTION RETURNS AND ALL OTHER SHORT RADIUS SECTIONS, CONSTRUCTION JOINTS & AS DIRECTED BY THE ENGINEER.



**TYPICAL ASPHALTED PARKWAY**



**CONCRETE CURB, TYPE B**

USER NAME -	DESIGNED - MK	REVISED - 1-5-11 IDOT FINAL
PLOT SCALE -	DRAWN - MK/LEV	REVISED - 6-28-10 IDOT PRE-FINAL
PLOT DATE -	CHECKED - CB	REVISED - 6-04-10 IDOT PSE
	DATE - 03-02-10	REVISED - 3-19-10 MWRDGC

F.A.U. RTE. 1376	SECTION 10-00095-00-SW	COUNTY COOK	TOTAL SHEETS 29	SHEET NO. 14
(FIELD BOOK NOS. 1441/1443/1516)		CONTRACT NO. 63511		
FED. ROAD DIST. NO. 1	ILLINOIS	FED. AID PROJECT	TE-00D1(823)	