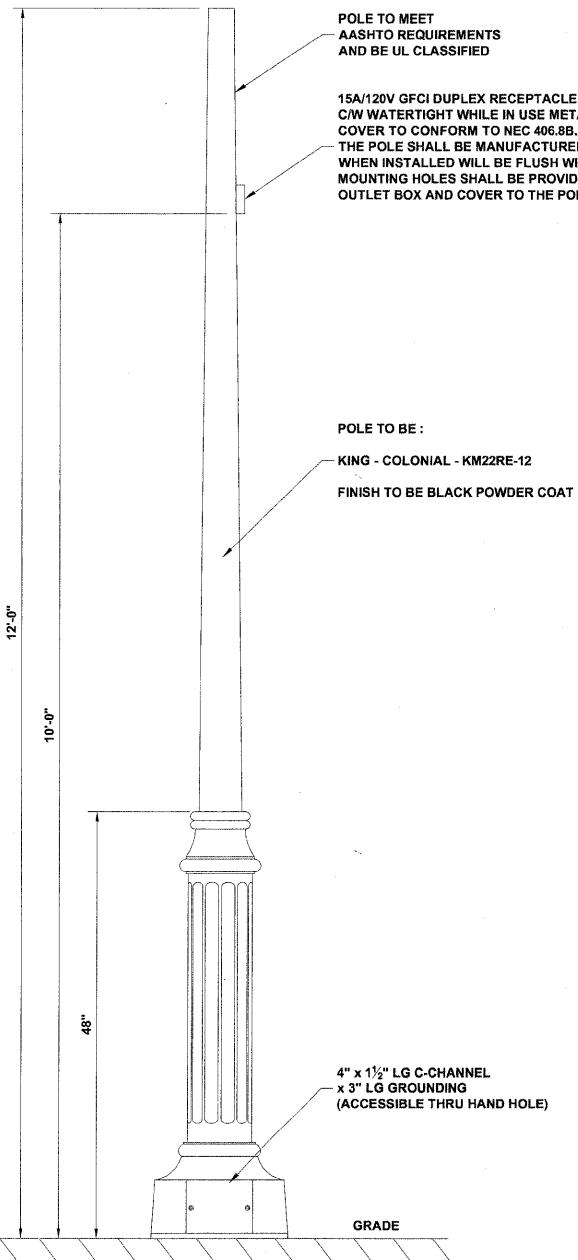
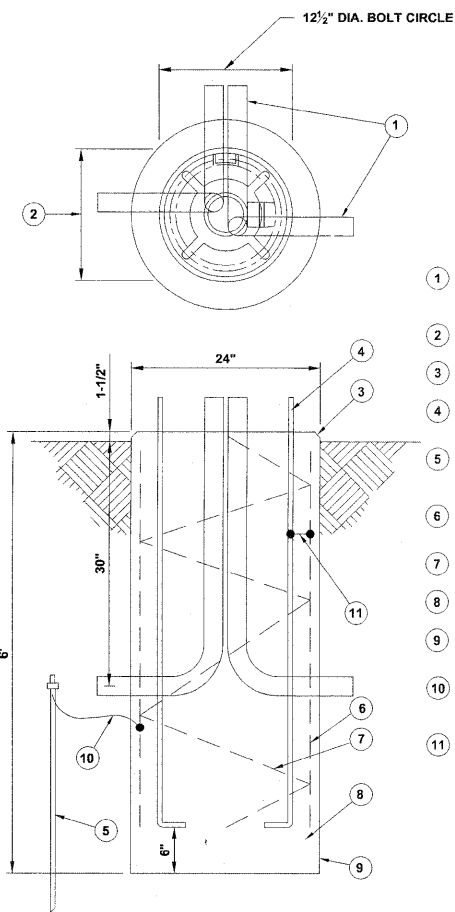


**SPlicing ELECTRIC CABLES
BASIC MATERIALS AND METHODS**

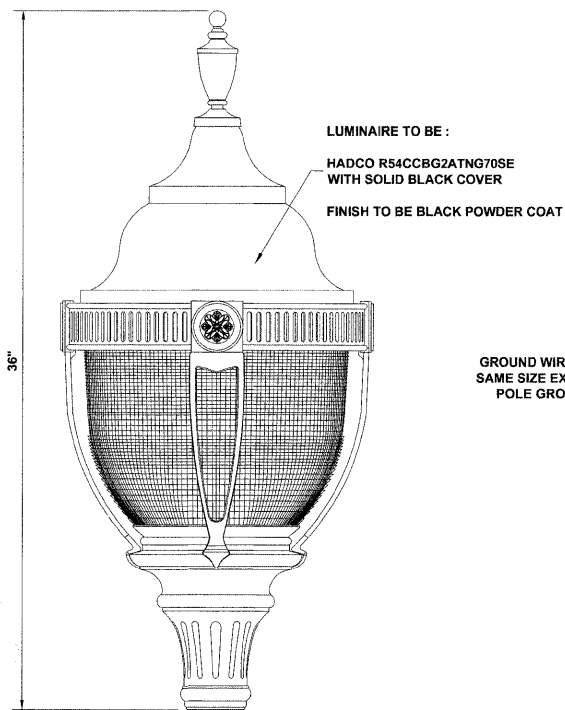


**DECORATIVE LIGHT POLE, ALUMINUM,
12' MOUNTING HEIGHT**

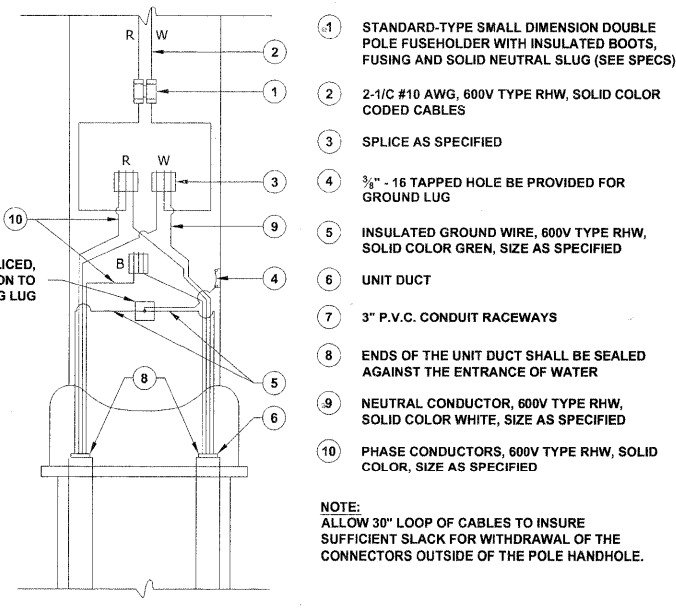


CONCRETE LIGHT POLE FOUNDATION

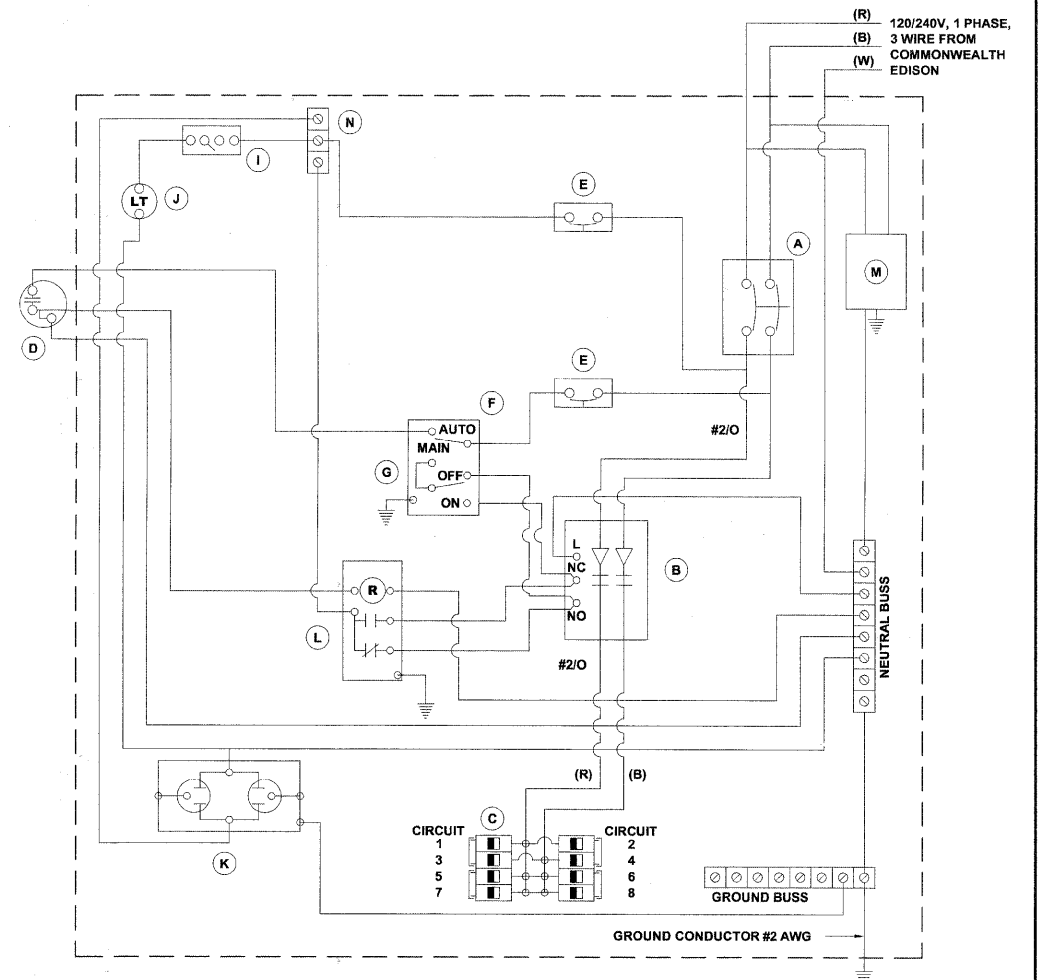
- 1 DUAL 3" DIA. P.V.C. ELBOW RACEWAYS, EITHER PARALLEL OR OPPOSITE EACH OTHER AS SHOWN ON PLAN SHEETS
- 2 MANUFACTURER TO FURNISH TEMPLATE DRAWING FOR SETTING OF ANCHOR BOLTS
- 3 1" CHAMFER
- 4 4 - 1" x 36" STEEL ANCHOR BOLTS, TOP 10" THREADED AND GALVANIZED
- 5 3/8" x 10' GROUND ROD CONNECTED TO GROUND WIRE WITH EXOTHERMIC WELD EXCEPT AT ANCHOR BOLT AT ALL POLE LOCATIONS
- 6 8 - #5 REINFORCING BARS EQUALLY SPACED AROUND AN 18" DIA. CIRCLE
- 7 #4 SPIRAL TIE BARS WITH 6" PITCH
- 8 CLASS SI CONCRETE
- 9 FOUNDATION LOCATIONS AS SHOWN ON PLAN SHEETS.
- 10 No. 2/0 BARE COPPER GROUND WIRE TO GROUND ROD AND REINFORCING BARS WITH EXOTHERMIC WELD
- 11 No. 2/0 BARE COPPER GROUND WIRE TO ANCHOR ROD - MECHANICAL CONNECTION



**DECORATIVE ACORN STYLE LUMINAIRE,
SODIUM VAPOR, TENON MOUNT, 70 WATT**



POLE HANDHOLE WIRING DIAGRAM



EXISTING 120/240 VOLT CONTROLLER PANEL WIRING DIAGRAM

DEVICE SCHEDULE		
QUANTITY	DESCRIPTION	
(A) 1	100 AMP CIRCUIT BREAKER, MOLDED CASE, THERMAL MAGNETIC, 2-POLE, SINGLE THROW, 600V FRAME, NON-INTERCHANGABLE TRIP, BOLT ON TYPE.	
(B) 1	100 AMP, ELECTRICALLY OPERATED AND MECHANICALLY HELD LIGHTING CONTRACTOR, 2-POLE, 600 VOLT WITH 120 V COIL	
(C) 6	120/240 VOLT 1 PHASE PANEL BOARD WITH 100 AMP COPPER MAINS SINGLE POLE, 30 AMP, 120 VOLT BOLT ON BRANCH CIRCUIT BREAKERS	
(D) 1	PHOTO-ELECTRIC CELL, 120 VOLT, MOUNT ON UNDERSIDE OF VENT ON CONTROLLER	
(E) 2	THERMAL MAGNETIC, MOLDED CASE CIRCUIT BREAKER, 1 POLE, 15 AMP, 120 VOLT BOLT ON TYPE	
(F) 1	CONTROL SWITCH, MOMENTARY CONTACT, SPDT, 15 AMP, 120 VOLT	
(G) 1	CONTROL SWITCH, TOGGLE TYPE, SPDT, 20 AMP, 120 VOLT SPECIAL GRADE	
(I) 1	MICRO SWITCH (MOUNTED WITH ACTUATOR TO SWITCH WHEN DOOR IS OPEN) 120 VOLT, 20 AMP	
(J) 1	60 WATT LIGHT FIXTURE VAPOR TIGHT WITH GLOBE, GUARD, AND MOUNTING BOX	
(K) 1	120 VOLT, 15 AMP RECEPTACLE, SPECIFICATION GRADE IN NEMA 5-15R WEATHER PROOF BOX WITH FLAP-TYPE COVER. OUTLET TO BE GFI-TYPE.	
(L) 1	POWER RELAY WITH 25 AMP CONTACTS RATED FOR CONTRACTOR INRUSH CURRENT - 120 VOLT COIL	
(M) 1	SURGE ARRESTOR, 5 WIRE EDCO "4803" OR EQUAL	
(N) 1	TERMINAL BLOCK, 120 VOLT, 50 AMP MAXIMUM WITH NUMBER OF TERMINALS AS INDICATED	

- NOTES:
1. ALL CIRCUIT BREAKERS SHALL HAVE AN INTERRUPT RATING OF 18,000 AMPS
 2. UL LISTED DEVICES/COMPONENTS SHALL BE USED
 3. NO SPLICES OF WIRES IN CABINET
 4. CONTROL WIRE TO BE #12 MTW
 5. POWER WIRE SHALL BE RATED RHH/RHW 600 VOLTS OF SIZE INDICATED
 6. LIGHTING CONTROLLER SHALL BE SERVICE ENTRANCE RATED

Drawing file: W:\Projects\76010007 - Grand Ave Streetscape Stage II\9_Lighting Details.dwg Jan 05, 2011 - 10:56am

HANCOCK ENGINEERING
Civil Engineers
Municipal Consultants
Established 1911

USER NAME -	DESIGNED - MK	REVISED - 1-5-11 IDOT FINAL
PLOT SCALE -	DRAWN - MK/LEV	REVISED - 6-28-10 IDOT PRE-FINAL
PLOT DATE -	CHECKED - CB	REVISED - 6-04-10 IDOT PSE
	DATE - 03-02-10	REVISED - 3-19-10 MWRDGC

STATE OF ILLINOIS
DEPARTMENT OF TRANSPORTATION

GRAND AVENUE STREETSCAPE STAGE II
LIGHTING DETAILS

F.A.U. RTE. 1376	SECTION 10-00095-00-SW	COUNTY COOK	TOTAL SHEETS 29	SHEET NO. 20
(FIELD BOOK NOS. 1441/1443/1516)		CONTRACT NO. 63511		
FED. ROAD DIST. NO. 1	ILLINOIS	FED. AID PROJECT	TE-0001(823)	

E.H.E PROJECT NO. 760-10-00720