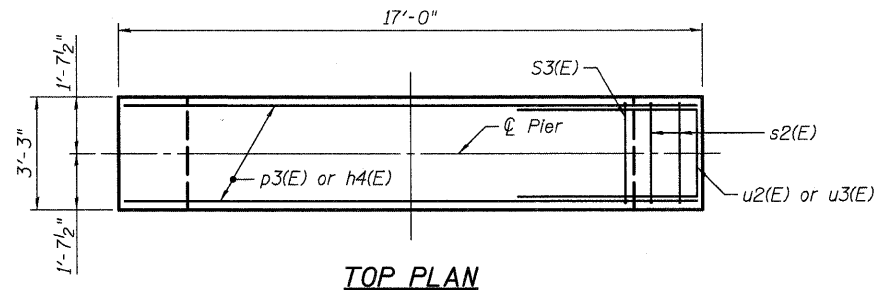
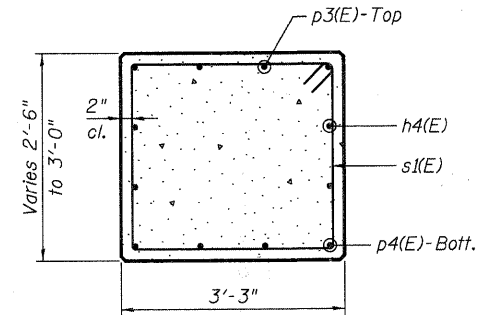


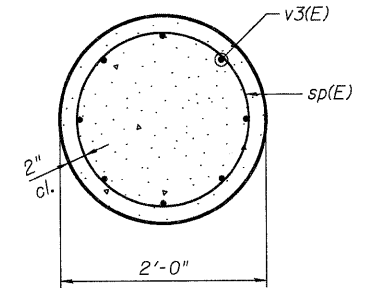
PLOT DATE = 12/28/2018  
 FILE NAME = P:\CIBEL\WEST\Projects\2009\123148\FoxRvTr-Pier3\Structural\Udpn\Final\Piers3\BikeBr-ridge-009-Pier-2-3.dgn



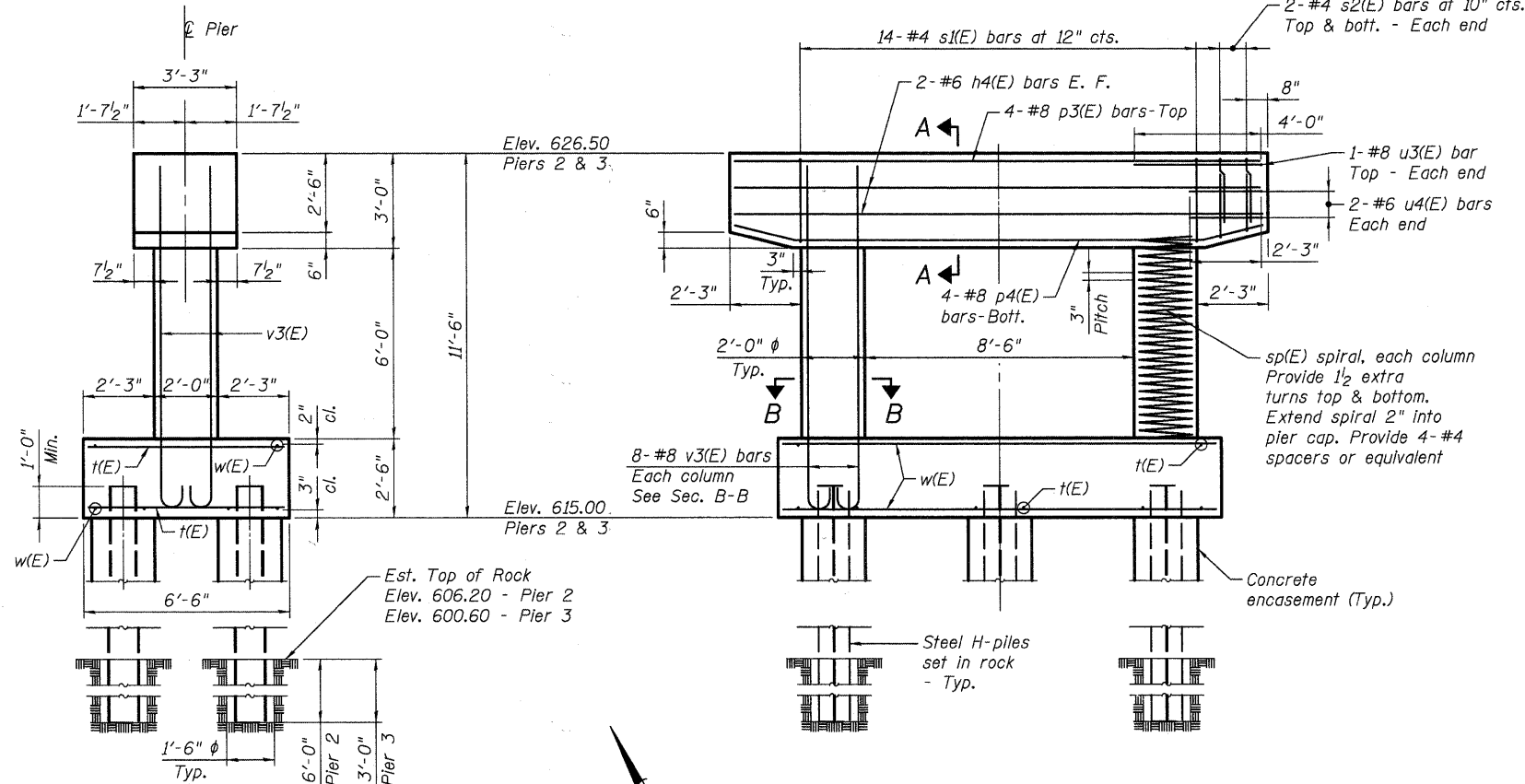
**TOP PLAN**



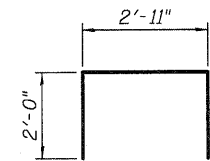
**SEC. A-A**



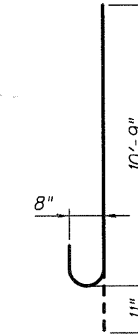
**SEC. B-B**



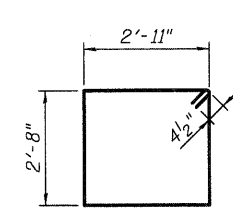
**ELEVATION**  
(Looking East)



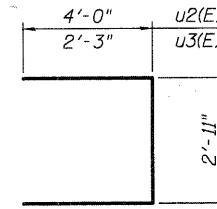
**BAR s2(E)**



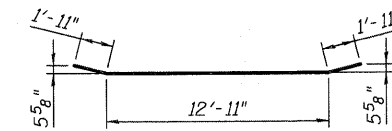
**BAR v3(E)**



**BAR s1(E)**



**BARS u3(E) & u4(E)**



**BAR p4(E)**

**NOTES**

- Concrete Sealer shall be applied to all surfaces of the piers that will be exposed to weather.
- Space reinforcement in pier caps to miss anchor bolts.
- For details of piles and Concrete Encasement, see Sheet 16.
- The pier cap elevations shall be coordinated with the Contractor and the requirements of the Pedestrian Truss Superstructure with approval from the Engineer.

\*\* Length is height of spiral

**PIERS 2 & 3**  
**BILL OF MATERIAL**

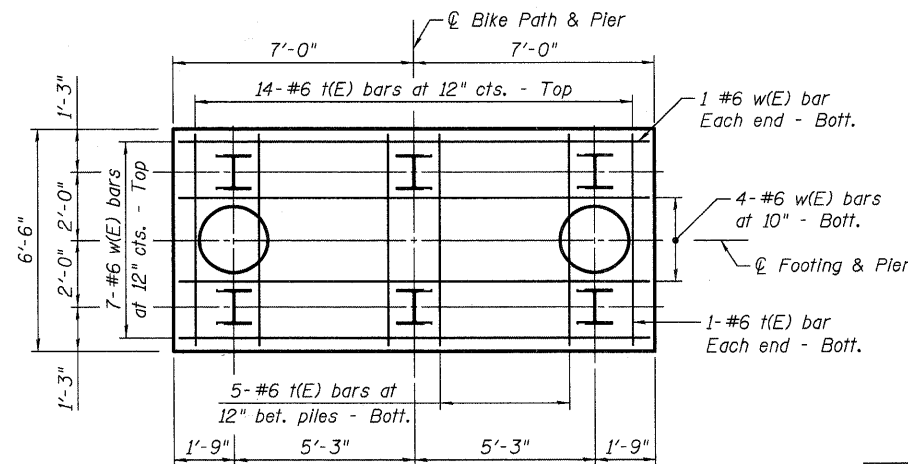
Bar	No.	Size	Length	Shape
h4(E)	8	#6	16'-8"	—
p3(E)	8	#8	16'-8"	—
p4(E)	8	#8	16'-9"	—
s1(E)	28	#4	11'-11"	□
s2(E)	16	#4	6'-11"	□
sp(E)	4	#4	6'-0"	⋈
u3(E)	4	#8	10'-11"	U
u4(E)	8	#6	7'-5"	U
v3(E)	32	#8	11'-8"	U
t(E)	52	#6	6'-2"	—
w(E)	26	#6	13'-8"	—
Structure Excavation			Cu. Yd.	61
Concrete Structures			Cu. Yd.	31.7
Concrete Encasement			Cu. Yd.	4.2
Reinforcement Bars, Epoxy Coated			Pound	3,775
Furnishing Steel Piles, HP 12x53			Foot	210
Setting Piles in Rock			Each	12
Underwater Structure Excavation Protection, Location 1			Each	1
Underwater Structure Excavation Protection, Location 2			Each	1
Concrete Sealer			Sq. Ft.	615

**PIER 2 PILE DATA**

Type: Steel HP 12x53  
 Nominal Required Bearing: Set in Rock  
 Allowable Resistance Available: 140 kips  
 Est. Length: 16 ft.  
 No. Production Piles: 6  
 No. Test Piles: 0  
 Estimated Top of Rock: Elev. 606.20  
 Rock Socket Depth: 6.0 ft.  
 Rock Socket Diameter: 1'-6"

**PIER 3 PILE DATA**

Type: Steel HP 12x53  
 Nominal Required Bearing: Set in Rock  
 Allowable Resistance Available: 140 kips  
 Est. Length: 19 ft.  
 No. Production Piles: 6  
 No. Test Piles: 0  
 Estimated Top of Rock: Elev. 600.60  
 Rock Socket Depth: 3.0 ft.  
 Rock Socket Diameter: 1'-6"



**FOOTING PLAN**

DESIGNED -	DLS
CHECKED -	AEU
DRAWN -	AWH
CHECKED -	DLS

**WILLS BURKE KELSEY ASSOCIATES LTD.**  
 116 West Main Street, Suite 201  
 St. Charles, Illinois 60174  
 (630) 443-7755

SHEET NO. 9  
 24 SHEETS

F.A.U. RTE.	SECTION	COUNTY	TOTAL SHEETS	SHEET NO.
	05-F3000-06-BT	KANE	58	30
CONTRACT NO. 63517				
FED. ROAD DIST. NO.		ILLINOIS FED. AID PROJECT		

**PIERS 2 & 3**  
**BICYCLE BRIDGE OVER FOX RIVER**