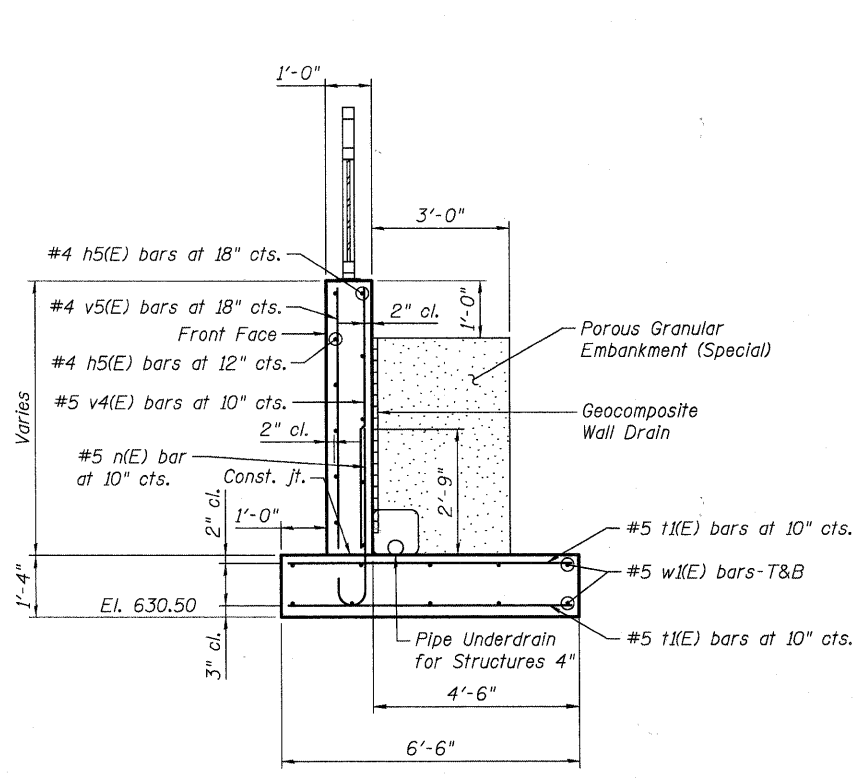
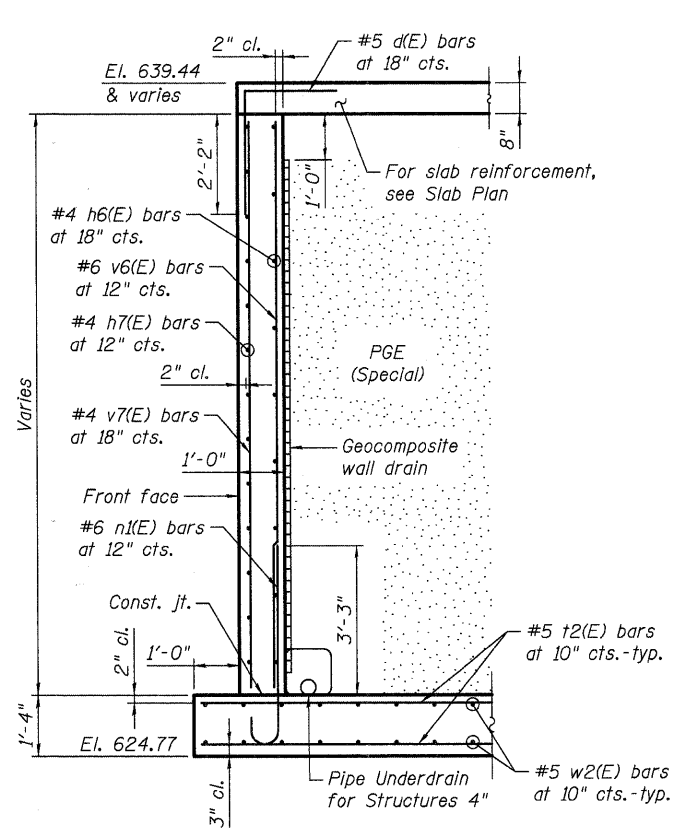


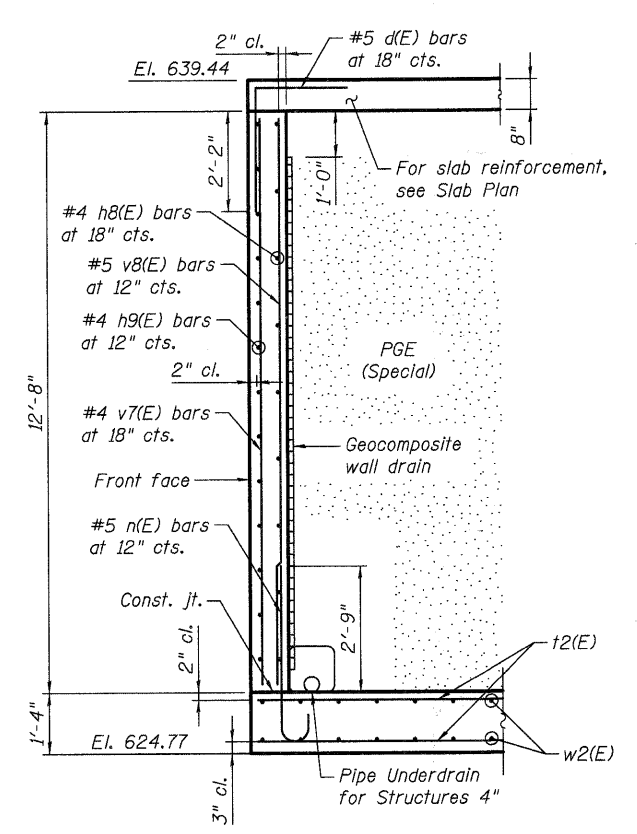
PLOT DATE = 12/28/2018
 FILE NAME = P:\DBBEL WEB\Projects\2009\123148_FedRte\T-PHIL\Structural\Drawings\Final\Plan\Slab&Walls.dwg



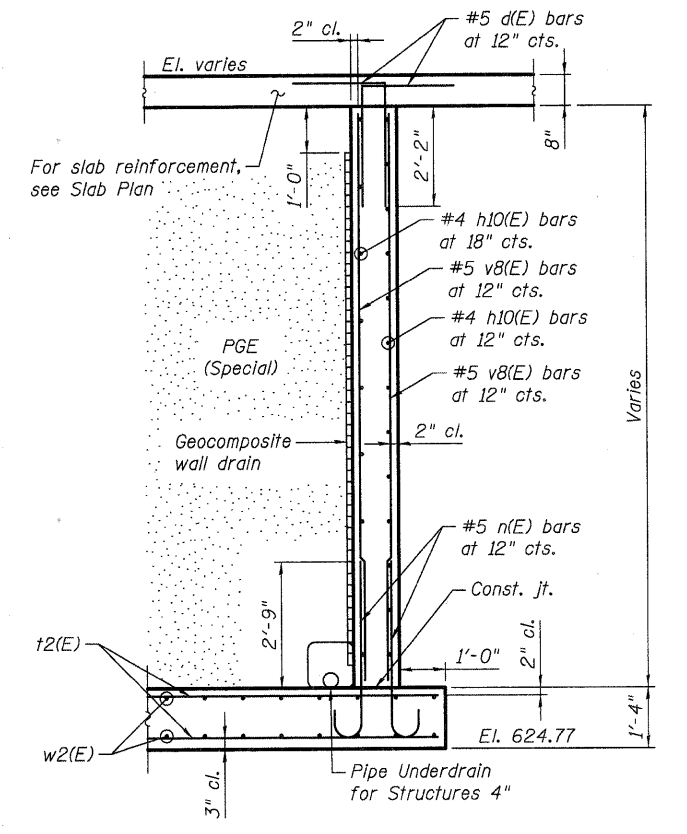
WALL A SECTION



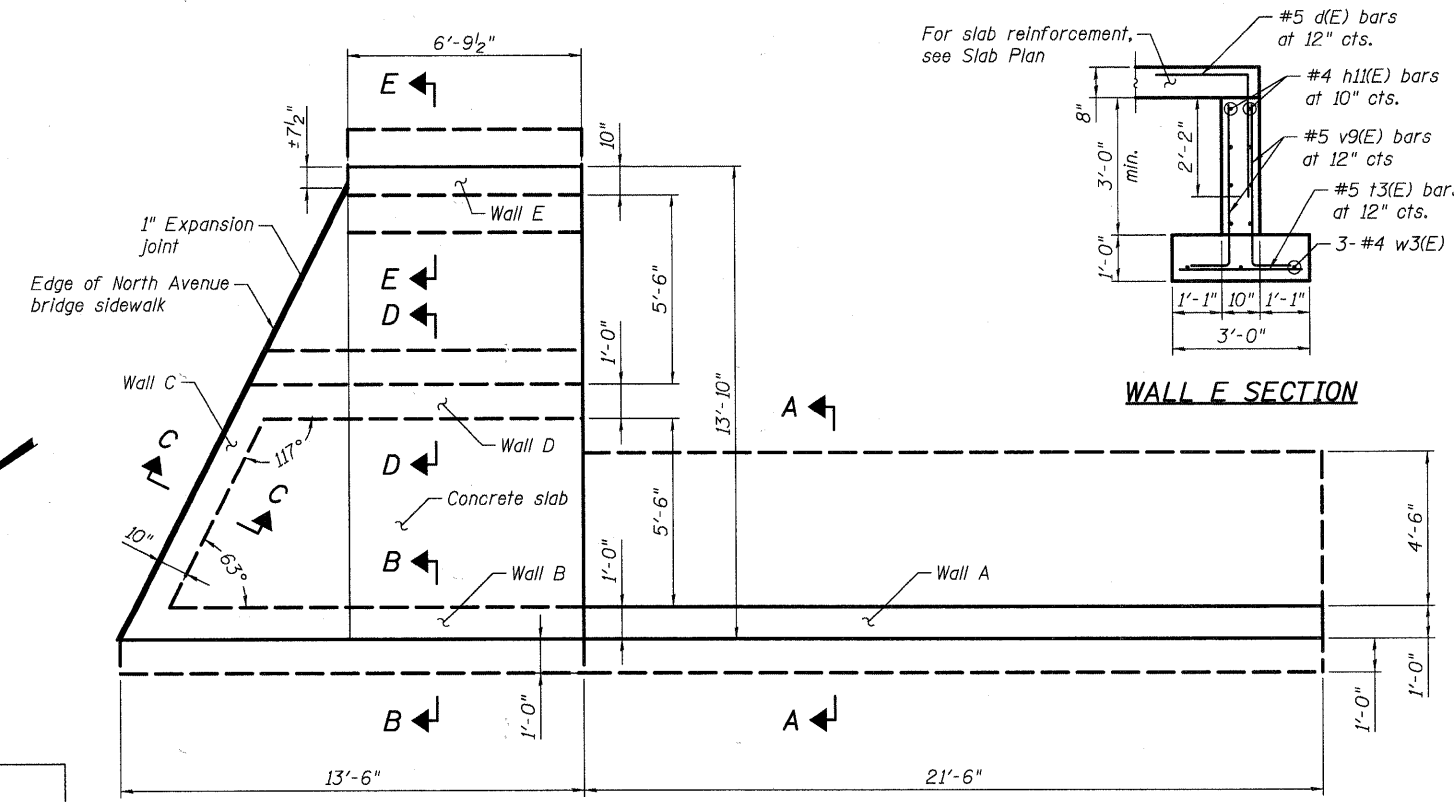
WALL B SECTION



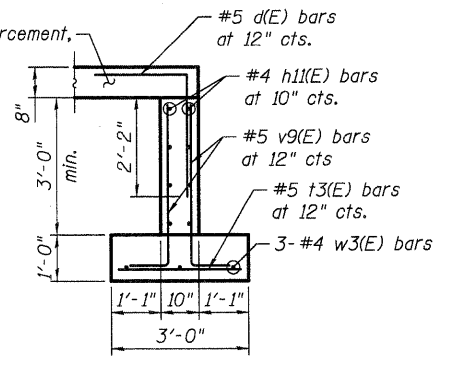
WALL C SECTION



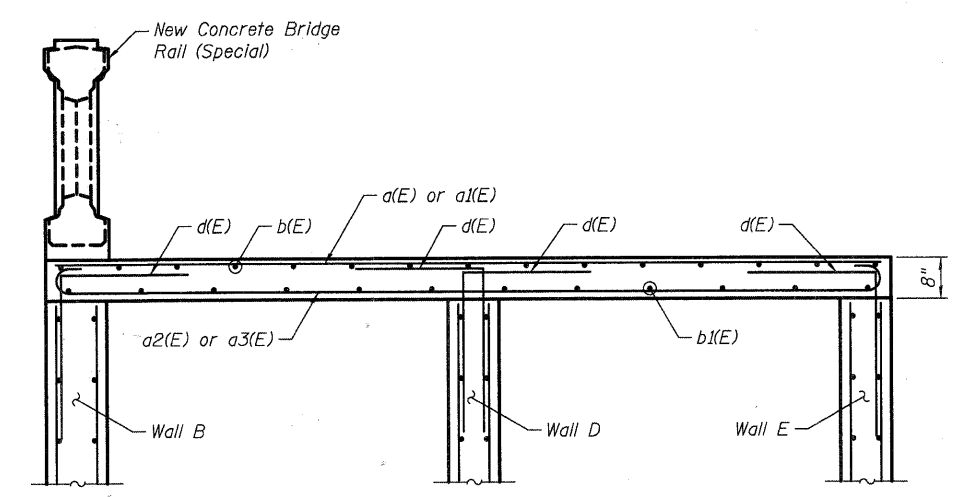
WALL D SECTION



PLAN
SLAB & WALLS at NORTH AVENUE BRIDGE



WALL E SECTION



SECTION THRU SLAB

WALL DETAILS I
NORTH AVENUE RETAINING WALLS

DESIGNED -	DLS
CHECKED -	AEU
DRAWN -	AWH
CHECKED -	DLS

WILLS BURKE KELSEY ASSOCIATES LTD.
 116 West Main Street, Suite 201
 St. Charles, Illinois 60174
 (630) 443-7755

SHEET NO. 12	SECTION	COUNTY	TOTAL SHEETS	SHEET NO.
			24 SHEETS	58
F.A.U. RTE.		05-F3000-06-BT	CONTRACT NO. 63517	
FED. ROAD DIST. NO.		ILLINOIS	FED. AID PROJECT	