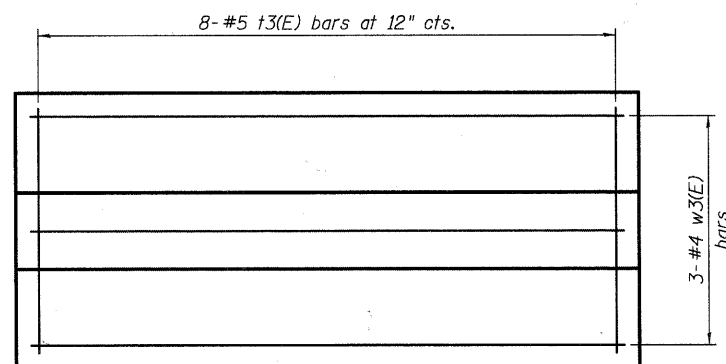
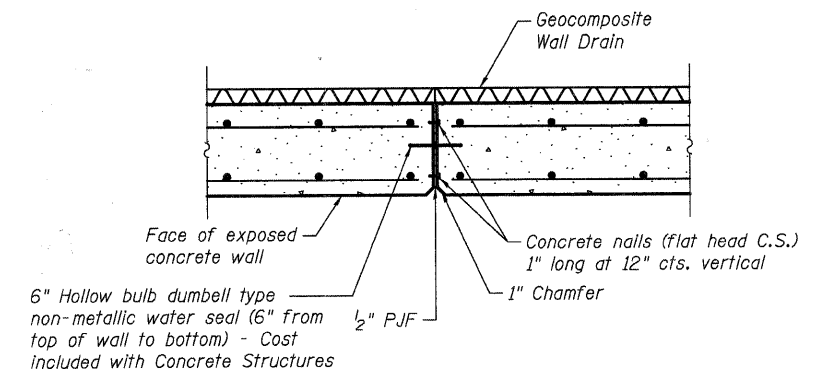


ELEVATION - WALL E
(Looking East)

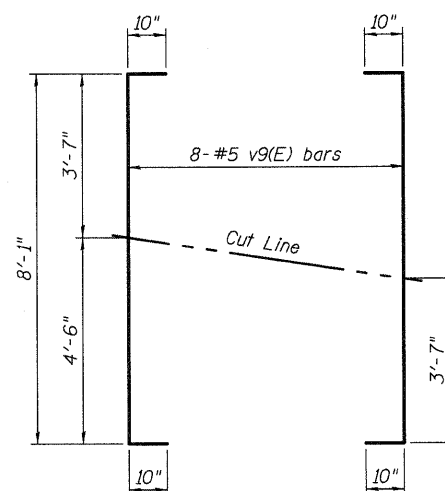
F.F. refers to front face
B.F. refers to back face
E.F. refers to each face



FOOTING PLAN - WALL E

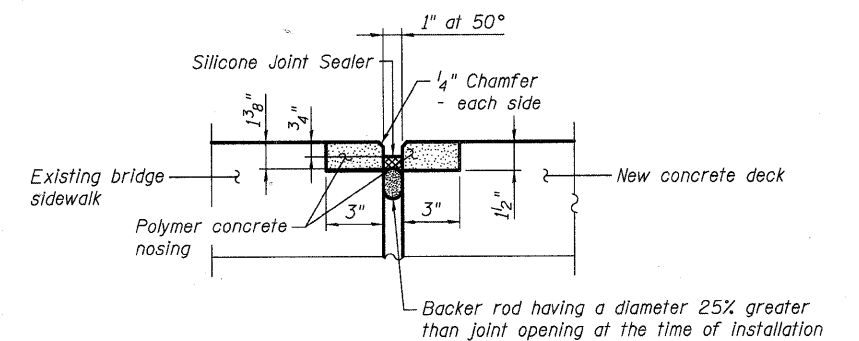


**WALL EXPANSION JOINT
BETWEEN WALL A & WALL B**



FIELD CUTTING DIAGRAM

Order bars full length. Cut as shown and use remainder of bars in opposite face.



At existing bridge sidewalk, chip and prepare surface for nosing.
At new concrete deck form for nosing and roughen surface.

**EXPANSION JOINT
AT CONCRETE DECK**

**WALL DETAILS IV
NORTH AVENUE RETAINING WALLS**

| | | |
|----------|---|-----|
| DESIGNED | - | DLS |
| CHECKED | - | AEU |
| DRAWN | - | AWH |
| CHECKED | - | DLS |

WBK
WILLS BURKE KELSEY ASSOCIATES LTD.
116 West Main Street, Suite 201
St. Charles, Illinois 60174
(630) 443-7755

| | | | | | |
|---------------------------|--------------------|---------------------------|------------------|-----------------------|--------------------|
| SHEET NO. 15 24 SHEETS | F.A.U RTE. | SECTION 05-F3000-06-BT | COUNTY KANE | TOTAL SHEETS 58 | SHEET NO. 36 |
| | CONTRACT NO. 63517 | | | | |
| FED. ROAD DIST. NO. | | ILLINOIS | FED. AID PROJECT | | |