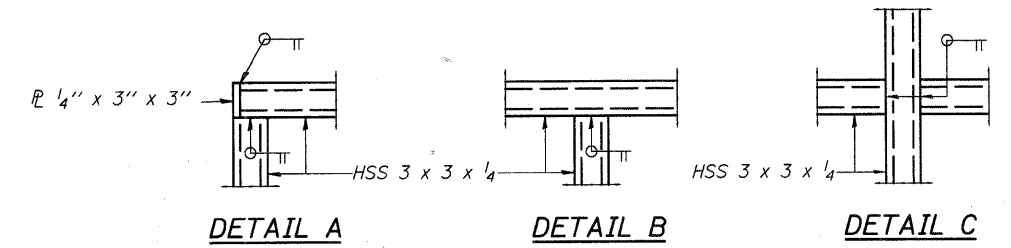


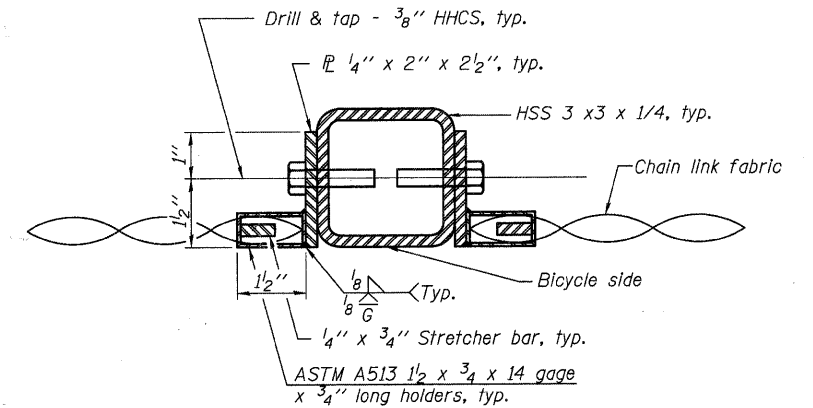
BICYCLE RAILING



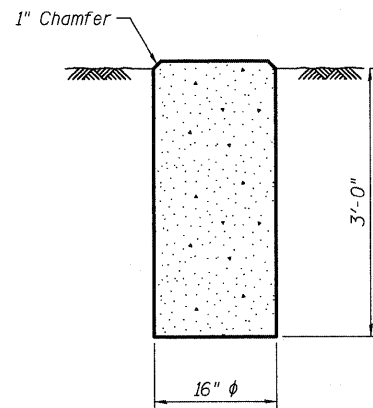
DETAIL A

DETAIL B

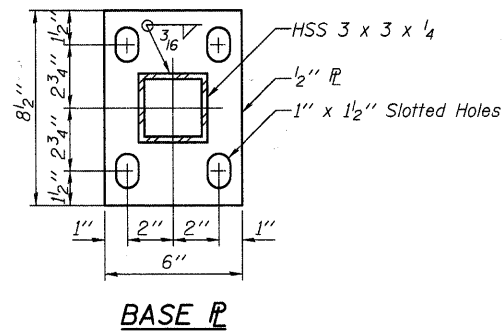
DETAIL C



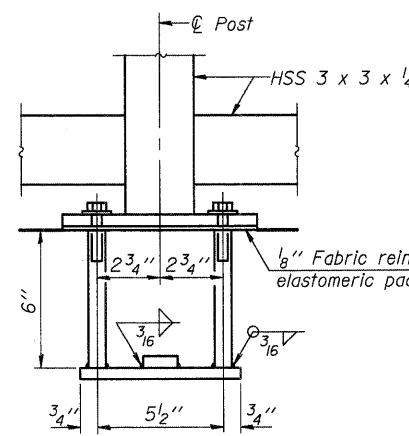
SECTION A-A



CONCRETE FOOTING

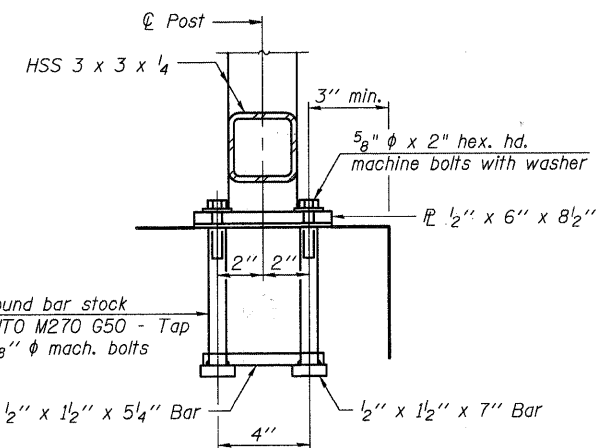


BASE PLATE



ANCHOR BOLT DETAILS

1" Round bar stock
AASHTO M270 G50 - Tap
for 5/8" φ mach. bolts



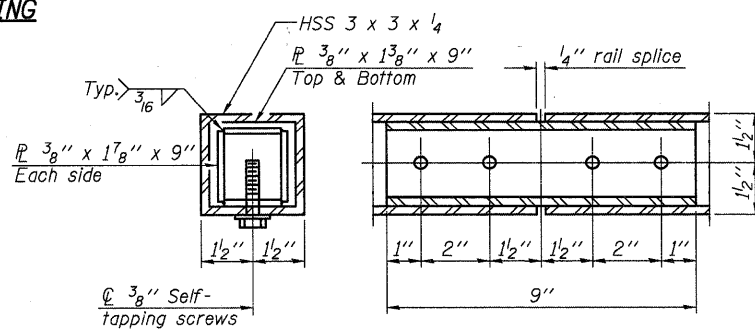
BILL OF MATERIAL

Item	Unit	Quantity
Bicycle Railing	Foot	20

NOTES

- All work shall conform to the special provision Bicycle Railing (Special).
- All post, railing, splices, anchor devices, and bent plates shall be painted using one coat of zinc-rich primer and two coats of a black powder-coated finish.
- Reinforcement shall be spaced to miss anchor rods.

**BICYCLE RAILING DETAILS
BICYCLE BRIDGE OVER FOX RIVER**



RAIL SPLICE

In lieu of the cast-in-place anchor device shown, the Contractor has the option of drilling and setting 5/8" φ anchor rods according to Article 509.06 of the Standard Specifications. Embedment shall be according to the manufacturer's specifications.

DESIGNED -	DLS
CHECKED -	AEU
DRAWN -	AWH
CHECKED -	DLS

WILLS BURKE KELSEY ASSOCIATES LTD.
116 West Main Street, Suite 201
St. Charles, Illinois 60174
(630) 443-7755

SHEET NO. 18
24 SHEETS

F.A.U RTE.	SECTION	COUNTY	TOTAL SHEETS	SHEET NO.
	05-F3000-06-BT	KANE	58	39
FED. ROAD DIST. NO.		ILLINOIS	FED. AID PROJECT	
CONTRACT NO. 63517				