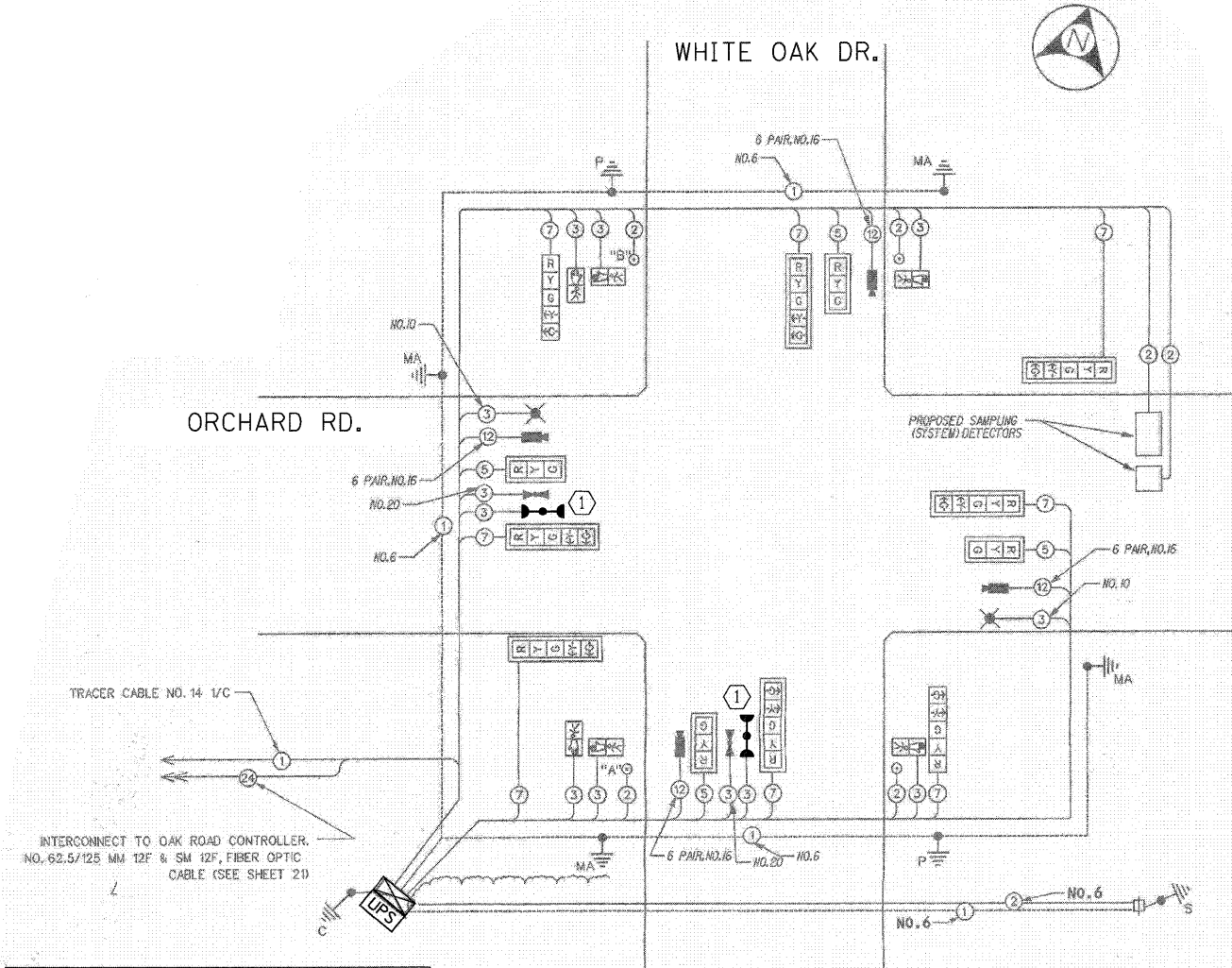


PAY ITEM	UNIT	QUANTITY
MAINTENANCE OF EXISTING TRAFFIC SIGNAL INSTALLATION	EACH	1
FULL-ACTUATED CONTROLLER IN EXISTING CABINET	EACH	1
MODIFY EXISTING CONTROLLER CABINET	EACH	1
REMOVE EXISTING TRAFFIC SIGNAL EQUIPMENT	EACH	1
SIGNAL HEAD, LED, RETROFIT	EACH	2
FIBER OPTIC PATCH PANEL	EACH	1
TERMINATE FIBER IN CABINET	EACH	8
UNINTERRUPTIBLE POWER SUPPLY (SPECIAL KDOT)	EACH	1
SPLICE FIBER IN CABINET	EACH	4
QUAD ENCODER	EACH	1
MANAGED ETHERNET SWITCH, TYPE 1	EACH	1
MALFUNCTION MANAGEMENT UNIT	EACH	1

PROPOSED CABLE PLAN

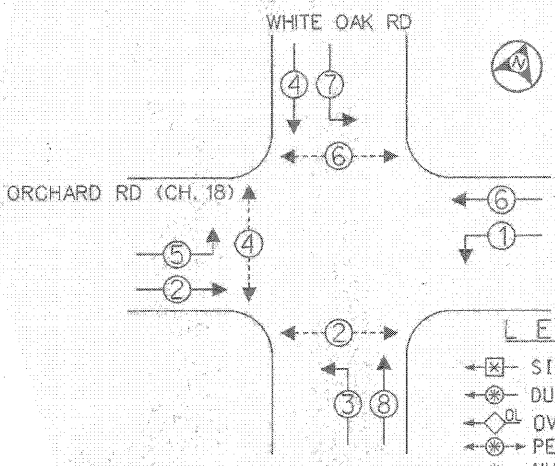


THE TRAFFIC SIGNAL CONTROL EQUIPMENT FOR THIS PROJECT SHALL BE SIEMENS EAGLE COMPATIBLE IN COMPLIANCE WITH THE COUNTY'S EXISTING ATMS

- NOTE:
- PUSH BUTTON "A" SHALL PLACE A CALL IN PHASES 2 AND 4
 - PUSH BUTTON "B" SHALL PLACE A CALL IN PHASES 4 AND 6

CONSTRUCTION NOTES:
 ① ALL CONFIRMATION BEACONS SHALL BE RETROFITTED WITH L.E.D. INDICATIONS. THIS WORK SHALL BE PAID FOR PER EACH BY SIGNAL HEAD, LED, RETROFIT.

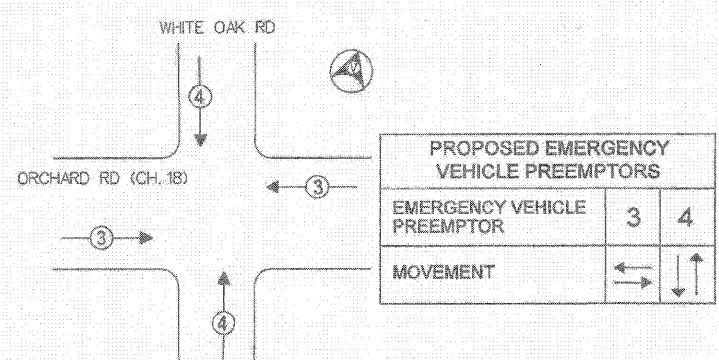
CONTROLLER SEQUENCE



PHASE DESIGNATION DIAGRAM

- LEGEND
- ☒ SINGLE ENTRY PHASE
 - ⊗ DUAL ENTRY PHASE
 - ⊕ OVERLAP
 - ⊙ PEDESTRIAN PHASE
 - * NUMBER REFERS TO ASSOCIATED PHASE.

EMERGENCY VEHICLE PREEMPTION SEQUENCE



USER NAME = JM	DESIGNED - DG	REVISED -
PLOT SCALE = 1" = 20'	DRAWN - JM/SM	REVISED -
PLOT DATE = 12-21-2010	CHECKED - DG	REVISED -
	DATE - 12-21-2010	REVISED -

CABLE PLAN AND PHASE DESIGNATION DIAGRAM			
ORCHARD RD. & WHITE OAK DR.			
SCALE: NONE	SHEET NO.	OF SHEETS	STA. TO STA.

F.A.P	SECTION	COUNTY	TOTAL SHEETS	SHEET NO.
336	09-00272-01-TL	KANE	68	35
INT-15-C			ILLINOIS FED. AID PROJECT	