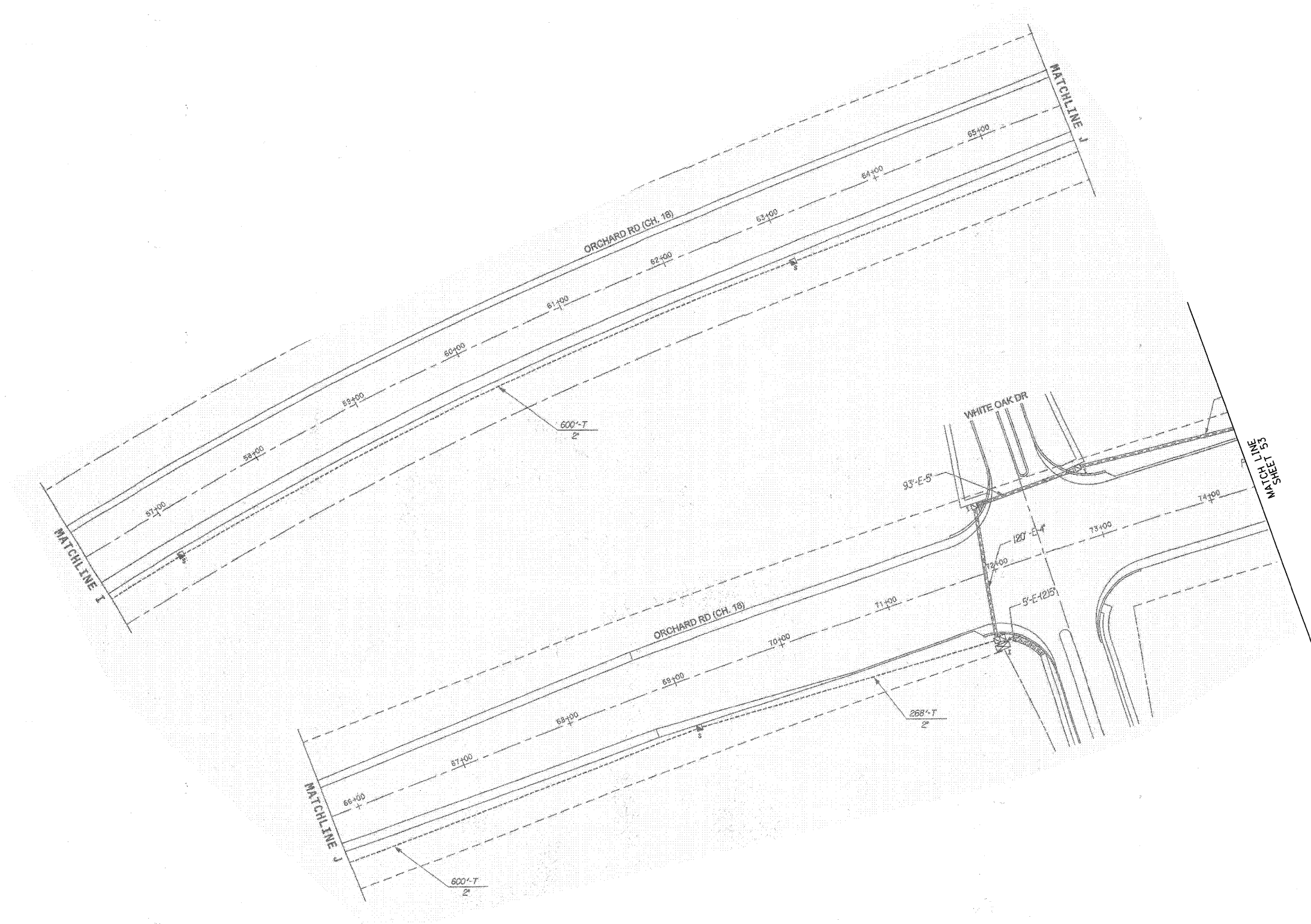
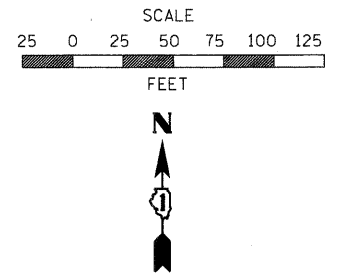


EXISTING PLANS FOR INFORMATION ONLY



USER NAME = JM	DESIGNED - DG	REVISED -
DRAWN - JM/SM	CHECKED - DG	REVISED -
PLOT SCALE = 1" = 50'	DATE - 12-21-2010	REVISED -
PLOT DATE = 12-21-2010		

F.A.P	SECTION	COUNTY	TOTAL SHEETS	SHEET NO.
336	09-00272-01-TL	KANE	68	52
IC-13			ILLINOIS FED. AID PROJECT	
			CONTRACT NO. 63540	