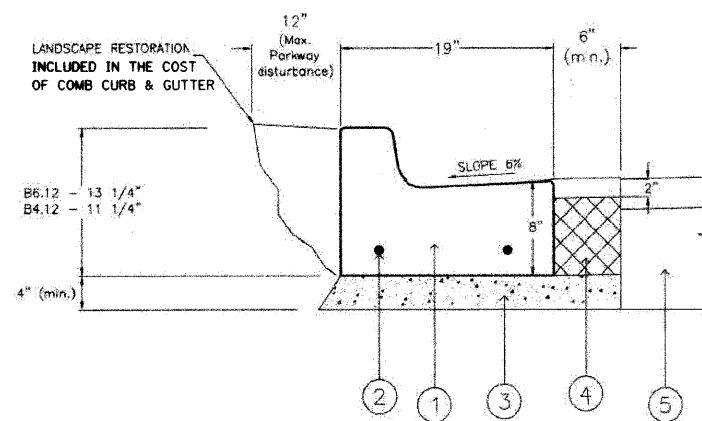


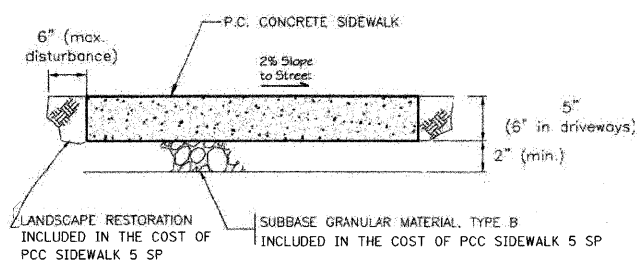
EXISTING FINISHED GUTTER

CURB AND GUTTER REMOVAL DETAIL

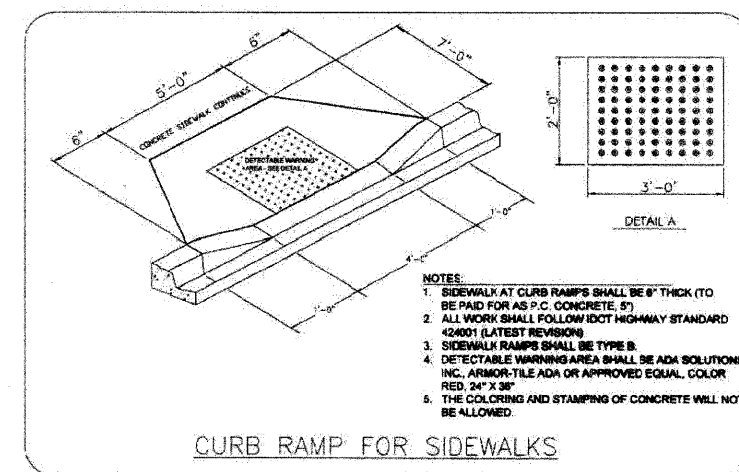


- 1 PROPOSED P.C. CONCRETE CURB & GUTTER TO MATCH EXISTING - FOR STREETS WITH 100% CURB REPLACEMENT CURB & GUTTER SHALL BE TYPE B6.12 OR B4.12 AS DIRECTED BY THE ENGINEER
- 2 CONTINUOUS REBAR, (2) - #4 - REQ'D FOR ALL CURB OVER 10' LONG
- 3 SUBBASE GRANULAR MATERIAL, TYPE B (CRUSHED STONE CA-7) (COST IS INCLUDED IN COMB. CURB & GUTTER)
- 4 P.C. CONCRETE BASE COURSE, THE CONTRACTOR SHALL REMOVE ALL DEBRIS AND PAVEMENT FROM THE AREA PRIOR TO PLACEMENT (COST IS INCLUDED IN COMB. CURB & GUTTER)
- 5 EXISTING PAVEMENT, VARIES

COMBINATION CONCRETE CURB AND GUTTER DETAIL



PCC SIDEWALK 5 INCH, SPECIAL



- NOTES:**
1. SIDEWALK AT CURB RAMPS SHALL BE 6" THICK (TO BE PAID FOR AS P.C. CONCRETE, 5')
 2. ALL WORK SHALL FOLLOW IDOT HIGHWAY STANDARD 42001 (LATEST REVISION)
 3. SIDEWALK RAMPS SHALL BE TYPE B
 4. DETECTABLE WARNING AREA SHALL BE ADA SOLUTIONS, INC. ARMOR-TILE ADA OR APPROVED EQUAL, COLOR RED, 24" X 36"
 5. THE COLORING AND STAMPING OF CONCRETE WILL NOT BE ALLOWED.

CURB RAMP FOR SIDEWALKS

COMPANY NAME: SEC Group, Inc.
 PROJECT CONTACT: [Name]
 CLIENT: City of Aurora
 DATE PLOTTED: 12/20/2010 10:49 AM
 FILE NAME: 86180291-det-01.dgn
 PLOT DRIVER: McHenry-1050-plotter-AS.IS.plt
 PEN TABLE: STANDARD-TRANS.TBL



USER NAME = JSrzal	DESIGNED -	REVISED -
FILE NAME = 86180291-det-01.dgn	DRAWN -	REVISED -
PLOT SCALE = NA	CHECKED -	REVISED -
PLOT DATE = 12/20/2010	DATE = 12/20/10	REVISED -

CITY OF AURORA

**SULLIVAN ROAD
CONSTRUCTION DETAILS**

SCALE: NA SHEET NO. 1 OF 6 SHEETS STA. NA TO STA. NA

F.A. RTE: 1502	SECTION 10-00291-00-RS	COUNTY KANE	TOTAL SHEETS 16	SHEET NO. 9
FED. ROAD DIST. NO. - ILLINOIS FED. AID PROJECT			CONTRACT NO. 63543	