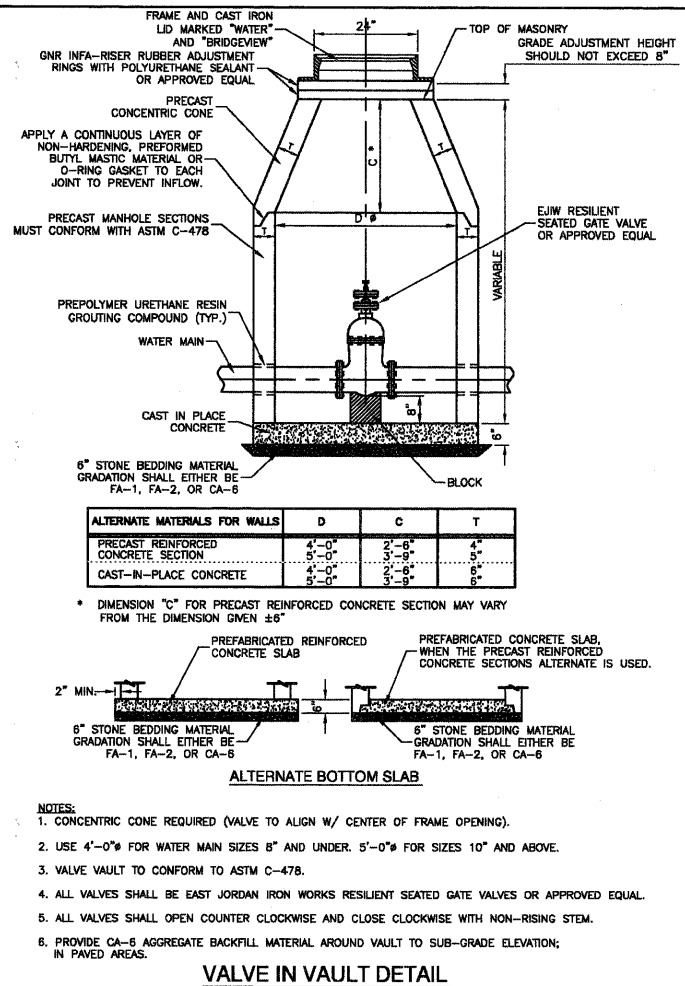
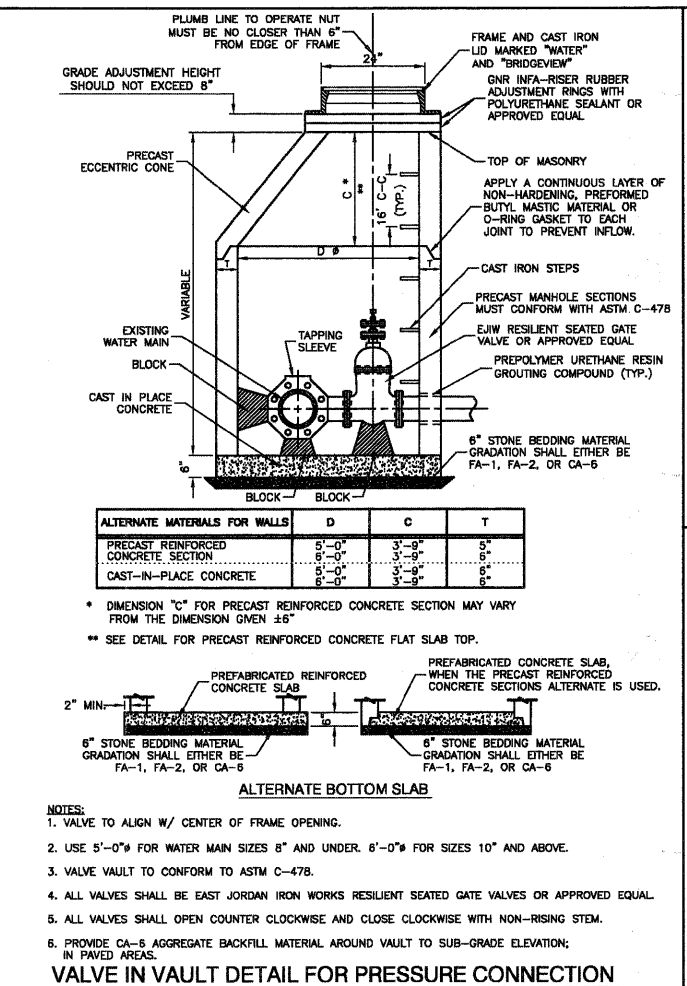


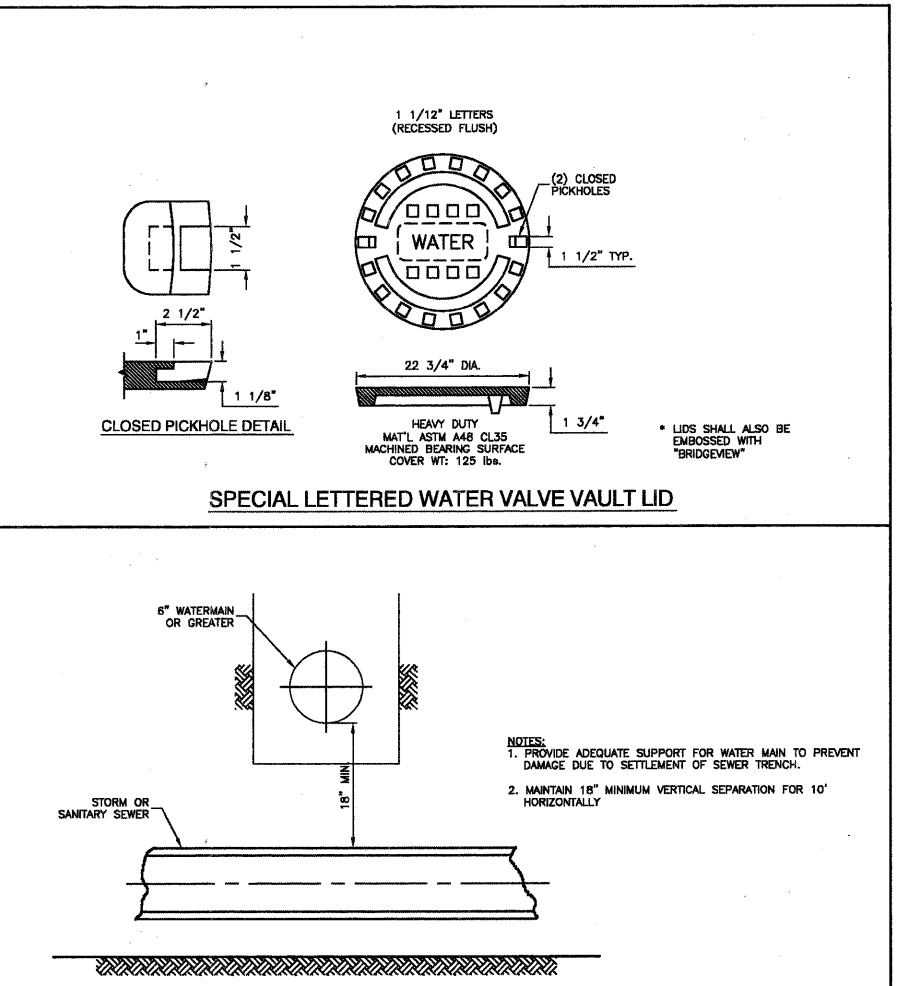
TYPICAL WATER SERVICE INSTALLATION



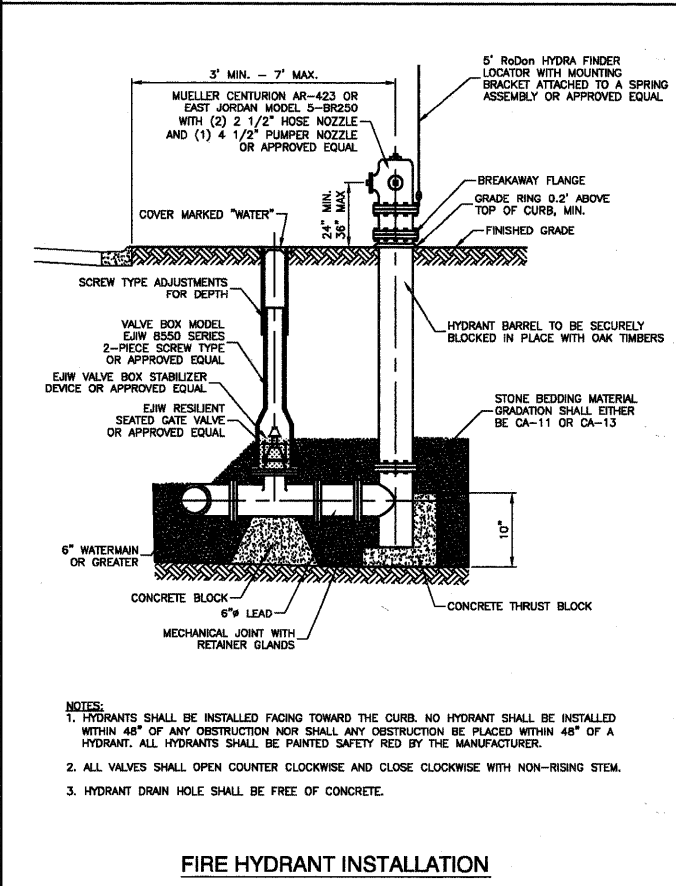
VALVE IN VAULT DETAIL



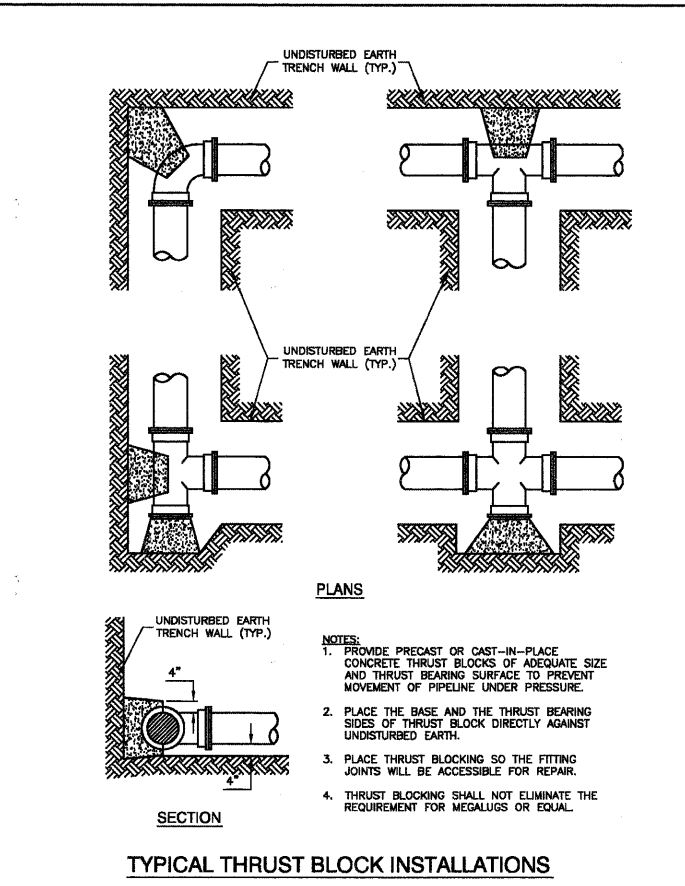
VALVE IN VAULT DETAIL FOR PRESSURE CONNECTION



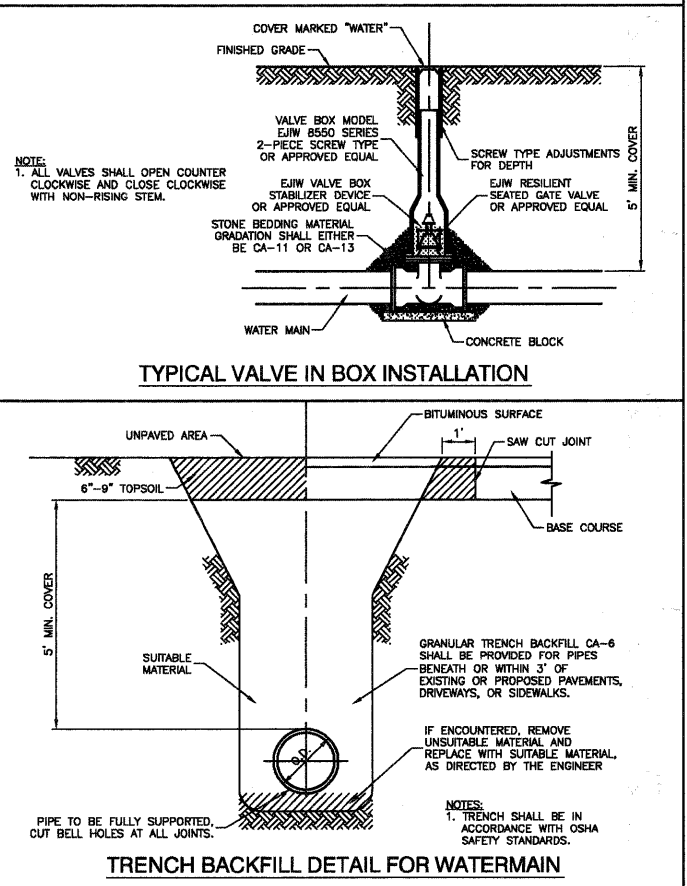
SPECIAL LETTERED WATER VALVE VAULT LID



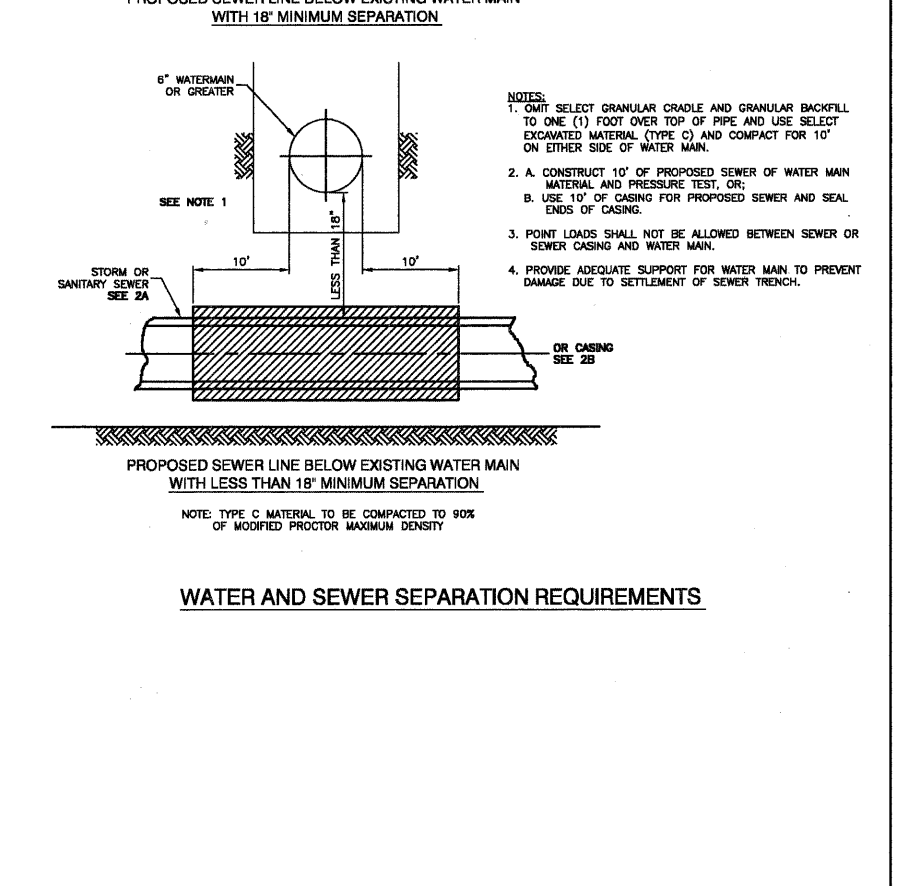
FIRE HYDRANT INSTALLATION



TYPICAL THRUST BLOCK INSTALLATIONS



TRENCH BACKFILL DETAIL FOR WATERMAIN



WATER AND SEWER SEPARATION REQUIREMENTS