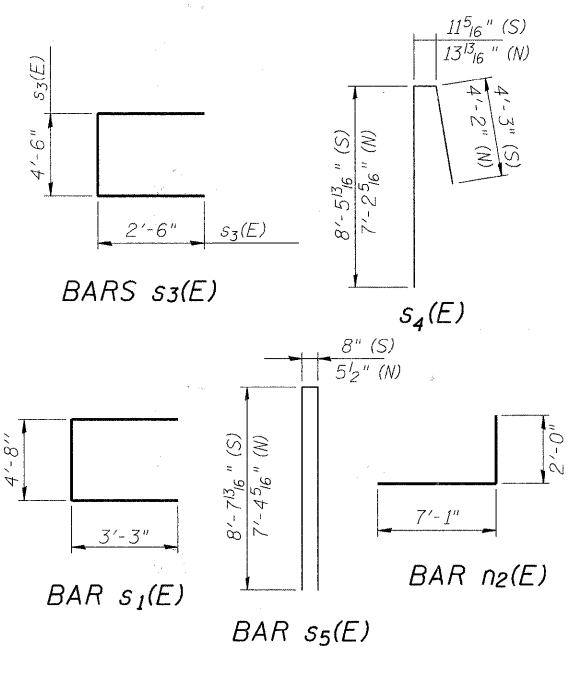
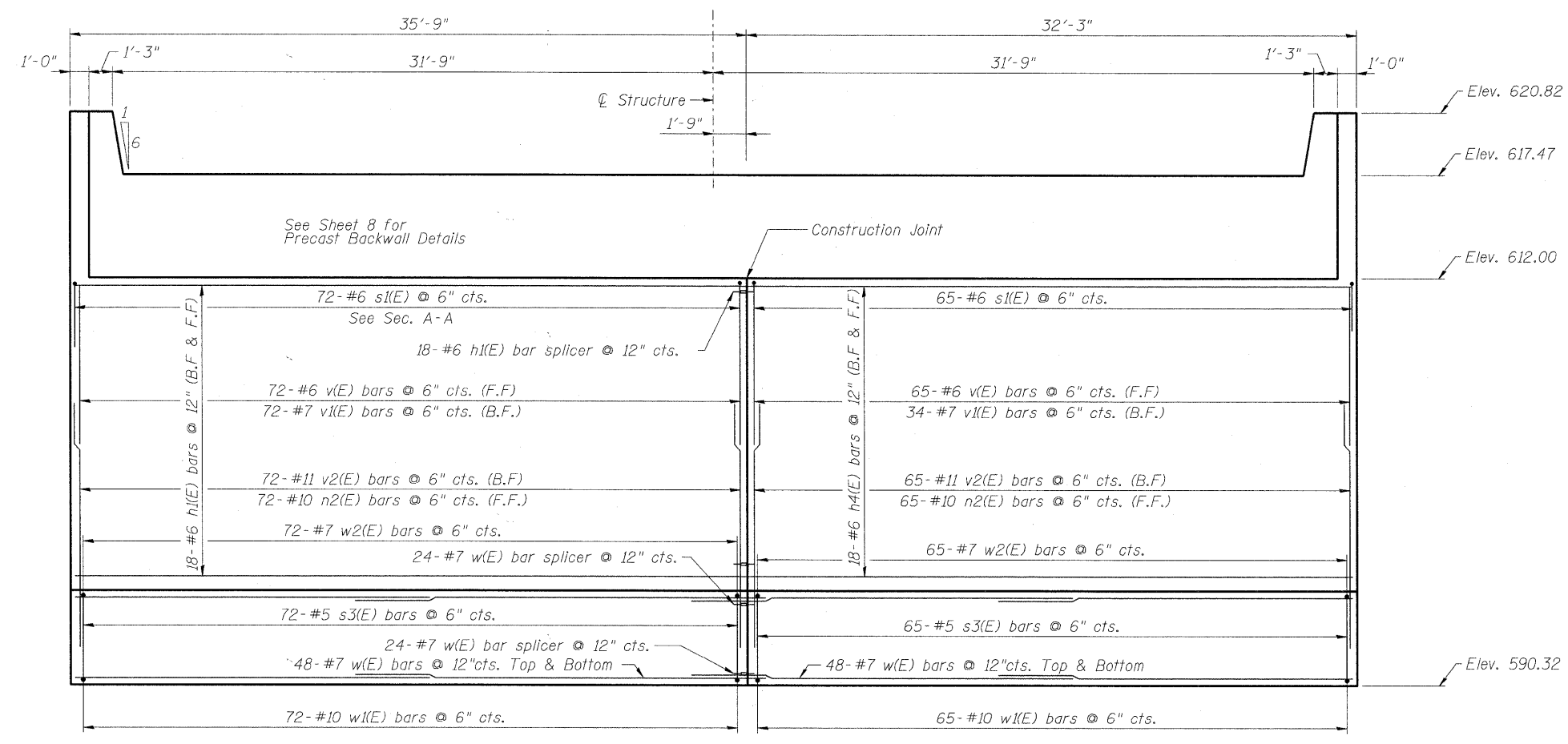


TOP PLAN

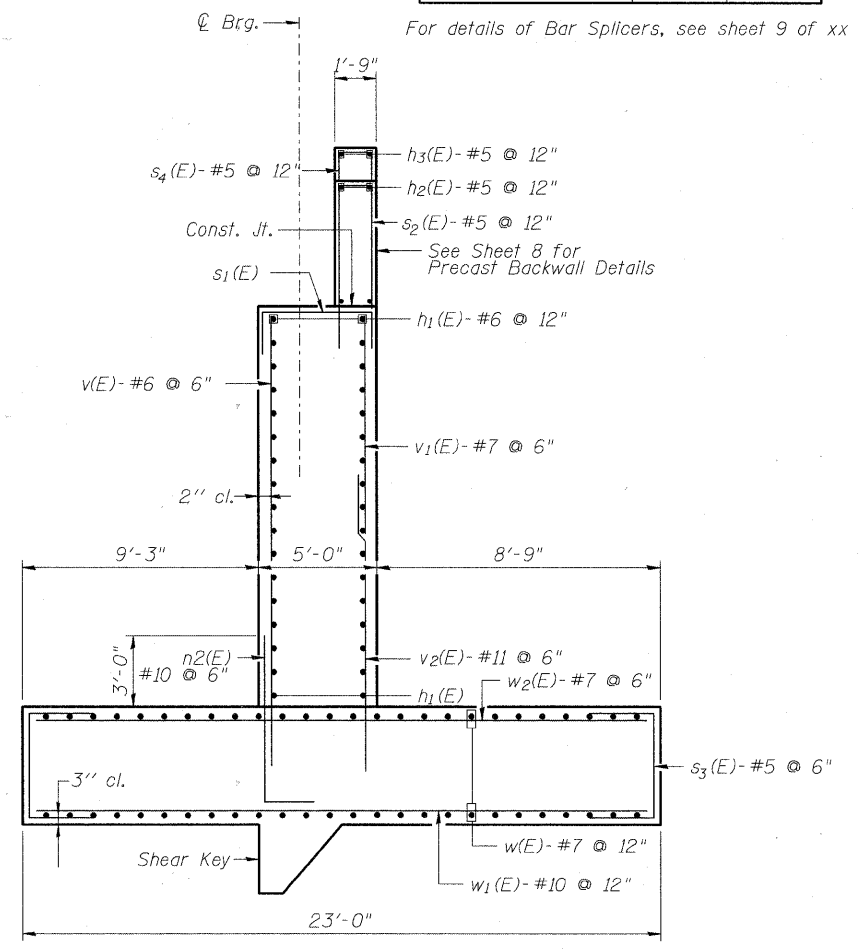


**ABUTMENT  
BILL OF MATERIAL**

Bar	No.	Size	Length	Shape
h1(E)	144	#6	20'-9"	—
h2(E)	72	#5	13'-4"	—
h3(E)	120	#5	4'-8"	—
v(E)	137	#6	19'-9"	—
v1(E)	137	#7	6'-10"	—
v2(E)	137	#11	12'-10"	—
s1(E)	137	#6	11'-2"	—
s2(E)	192	#5	5'-0"	—
s3(E)	137	#8	9'-6"	—
s4(E)	4	#5	13'-8"	—
s5(E)	8	#5	18'-0"	—
n2(E)	137	#10	9'-1"	—
w(E)	192	#7	20'-9"	—
w1(E)	137	#10	22'-6"	—
w2(E)	137	#7	22'-6"	—
Structure Excavation			Cu. Yd.	733
Concrete Structures			Cu. Yd.	543
Reinforcement Bars, Epoxy Coated			Pound	60,459



SOUTH ABUTMENT ELEVATION



SECTION A-A

For details of Bar Splicers, see sheet 9 of xx

FILE NAME = P:\A60158977\2002\_CAD\0201\_Drawing\Sheet\Structure\016-7721\_1001\_sht05\_S-Abutment-Detail.dgn



USER NAME = dabezioc	DESIGNED - BMR	REVISD -
PLOT SCALE = 0:1 1/2" = 1"	DRAWN - COM	REVISD -
PLOT DATE = 1/21/2011	CHECKED - DD	REVISD -
	DATE - 11/23/2010	REVISD -

**STATE OF ILLINOIS  
DEPARTMENT OF TRANSPORTATION**

SOUTH ABUTMENT REINFORCEMENT  
STRUCTURE NO. 016-7721

SCALE: NONE      SHEET NO. 5 OF 61 SHEETS      STA.      TO STA.

F.A.U. RTE.	SECTION	COUNTY	TOTAL SHEETS	SHEET NO.
1537	06-00050-00-GS	COOK	209	99
FED. ROAD DIST. NO. 1 ILLINOIS			CONTRACT NO. 63556	
FED. AID PROJECT CRE-9003(709)				