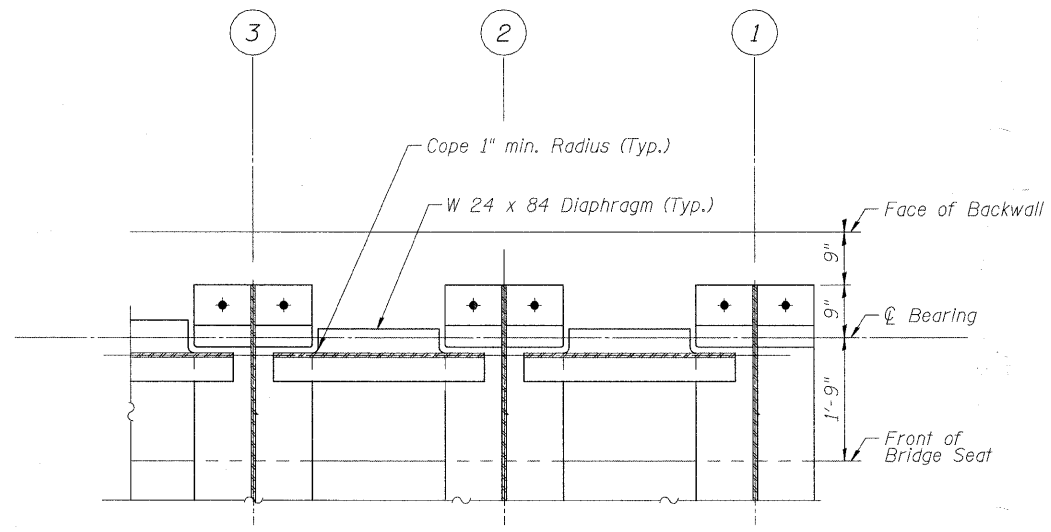
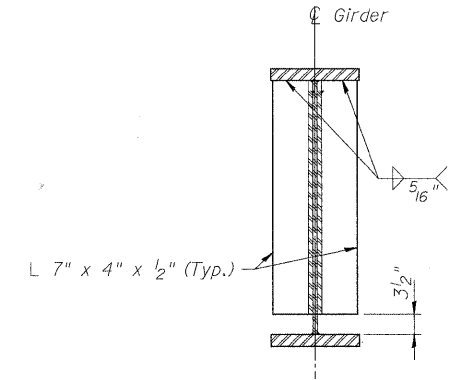


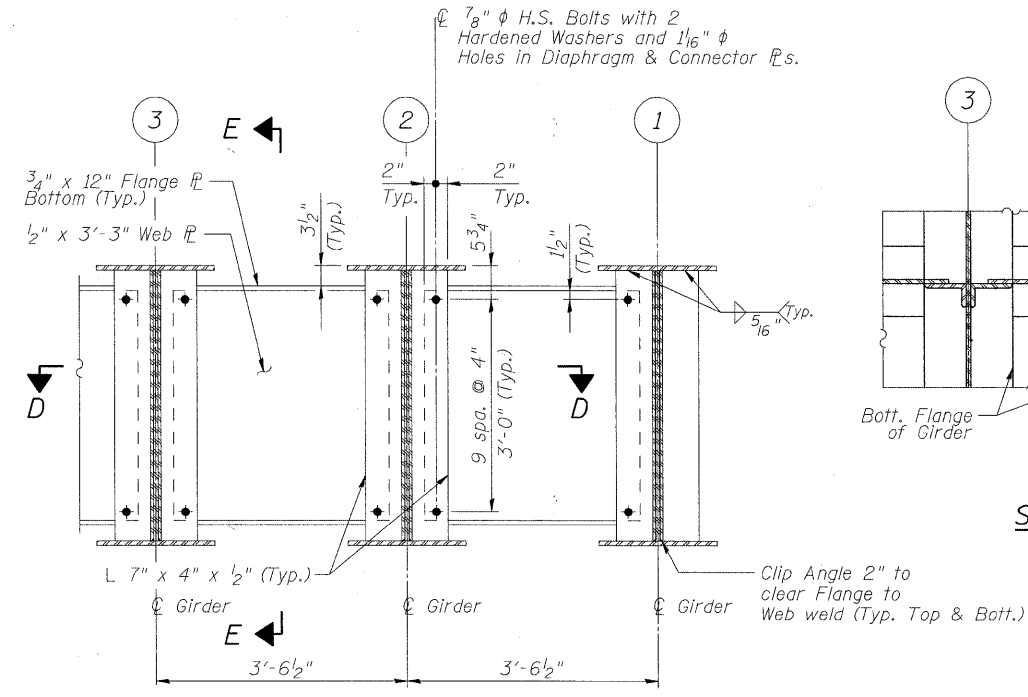
SECTION AT BEARING STIFFENERS



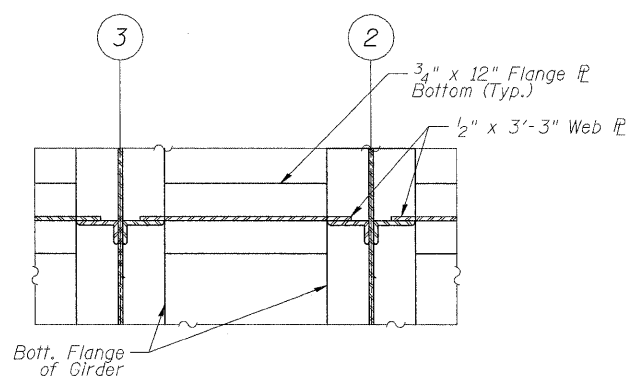
SECTION "A-A"



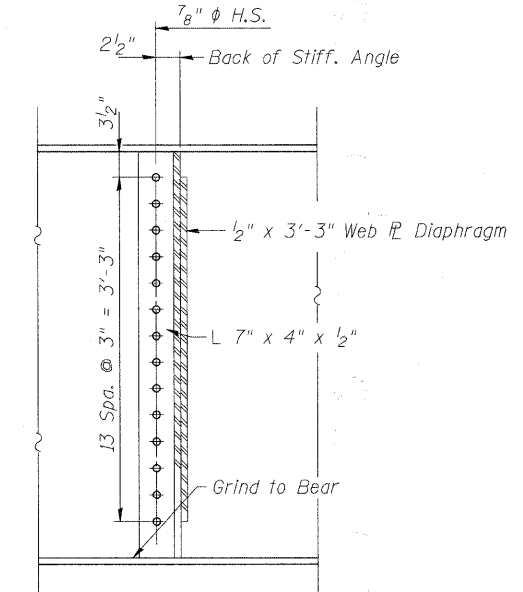
SECTION AT INTERMEDIATE ANGLE STIFFENERS (TYP.)



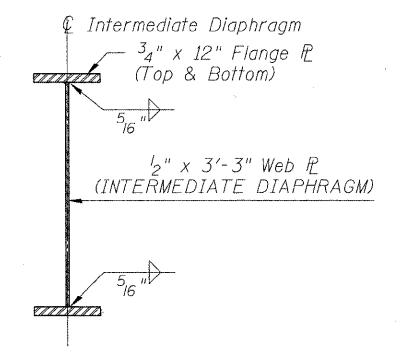
SECTION AT INTERMEDIATE DIAPHRAGMS



SECTION "D-D"



SECTION "E-E"
Typical Stiffener to Girder Connection



INTERMEDIATE DIAPHRAGM SECTION

FILE NAME = P:\60156577_002_CAD\001_Drawing\Sheets\Structure\016-7721_IDDT_sht11_Super.dgn



USER NAME = dabezicd	DESIGNED - BMR	REVISD -
PLOT SCALE = 0:1' = 1/4" IN.	DRAWN - COM	REVISD -
PLOT DATE = 1/21/2011	CHECKED - DD	REVISD -
	DATE - 11/23/2010	REVISD -

**STATE OF ILLINOIS
DEPARTMENT OF TRANSPORTATION**

**SUPERSTRUCTURE DETAILS
STRUCTURE NO. 016-7721**

SCALE: NONE SHEET NO. 11 OF 61 SHEETS STA. TO STA.

F.A.U. RTE.	SECTION	COUNTY	TOTAL SHEETS	SHEET NO.
1537	06-00050-00-65	COOK	209	105
FED. ROAD DIST. NO. 1 ILLINOIS FED. AID PROJECT CRE-9003(709)			CONTRACT NO. 63556	