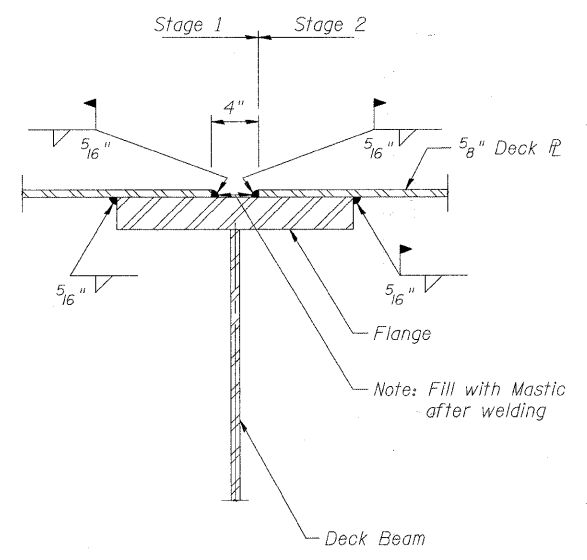
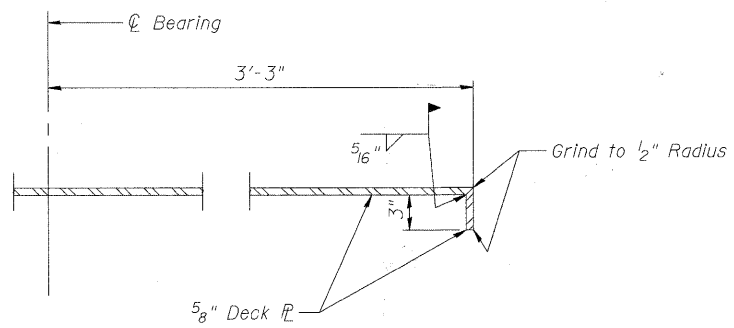


FLOOR PLATE PLAN

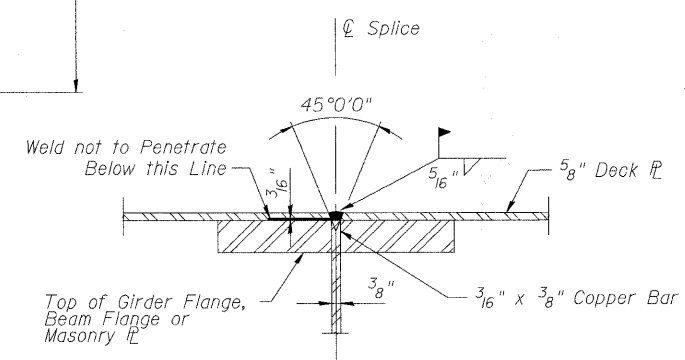
Notes: Deck Plate Splices not allowed over Backwall.
Plate Splice locations are suggested. Contractor may respace joints. Submit plan to Engineer for approval prior to fabrication.



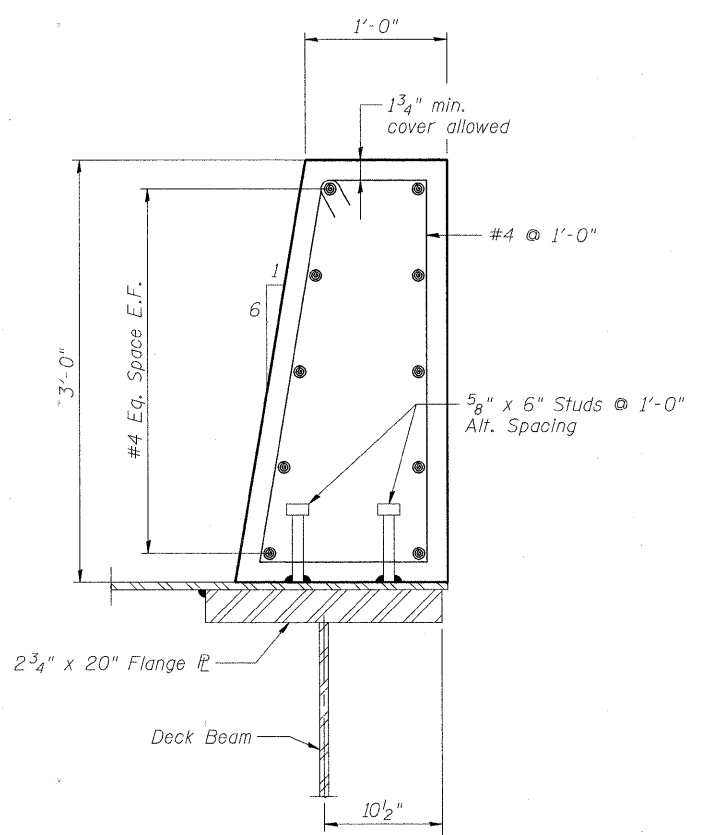
SECTION A-A
(At Field Splice)



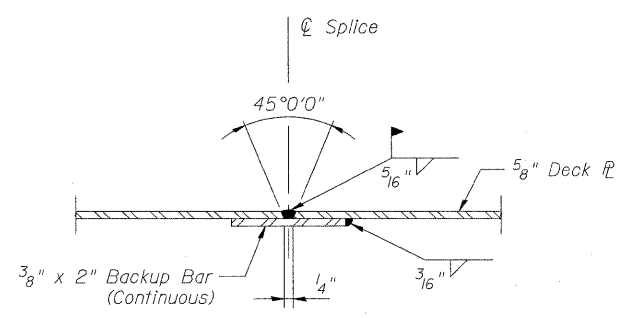
SECTION B-B



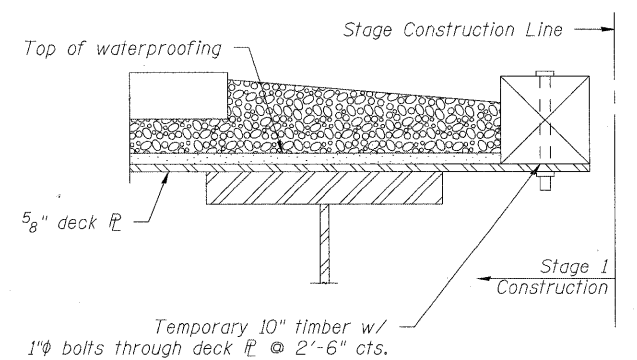
SECTION C-C



SECTION D-D



SECTION E-E



TEMP. BALLAST STOP

FILE NAME = P:\60156877\0200_CAD\001_Drawing\Sheets\Structural\016-7721\DD1_sht12_Deck.dgn



USER NAME = dabezid	DESIGNED - BMR	REVISED -
PLOT SCALE = 0:11' = 1" IN.	DRAWN - COM	REVISED -
PLOT DATE = 1/21/2011	CHECKED - DD	REVISED -
	DATE - 11/23/2010	REVISED -

STATE OF ILLINOIS
DEPARTMENT OF TRANSPORTATION

DECK LAYOUT AND DETAILS
STRUCTURE NO. 016-7721

SCALE: NONE SHEET NO. 12 OF 61 SHEETS STA. TO STA.

F.A.U. RTE. 1537	SECTION 06-00050-00-G5	COUNTY COOK	TOTAL SHEETS 209	SHEET NO. 106
FED. ROAD DIST. NO. 1		ILLINOIS	FED. AID PROJECT CRE-9003(709)	
CONTRACT NO. 63556				