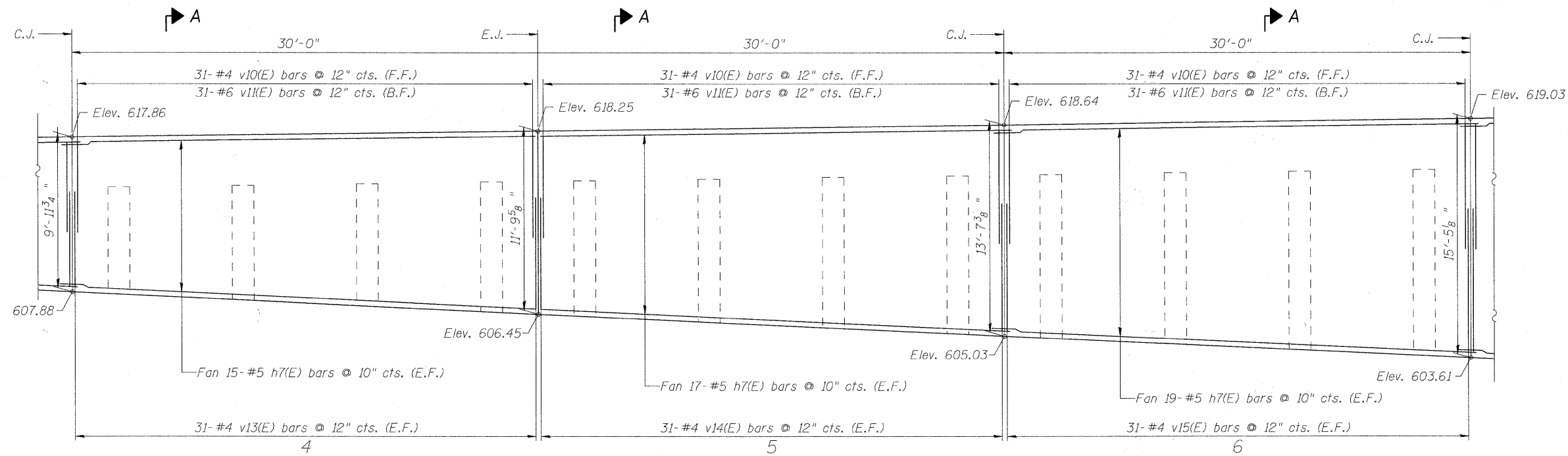


**ELEVATION**  
Concrete Facing Panels 1-3

\* See Field Cutting Diagram on Sheet 27 of 61.

**MIN. BAR LAPS**  
#4 bars - 2'-0"  
#5 bars - 2'-6"  
#6 bars - 3'-0"



**ELEVATION**  
Concrete Facing Panels 4-6

**NOTES**  
For Sections See Sheet 51 of 61.  
E.J. = Expansion Joint  
C.J. = Construction Joint  
B.F. = Back Face  
F.F. = Front Face  
E.F. = Each Face

FILE NAME = P:\60155977\000\_CAD\001\_Drawing\Sheets\Structural\016-7722\1001-sh+25-Conc-Facing.dgn



USER NAME = dbezticd	DESIGNED - DD	REVISED -
PLOT SCALE = 0:1.0000 ' = 1" IN.	DRAWN - DD	REVISED -
PLOT DATE = 1/21/2011	CHECKED - EJO	REVISED -
	DATE - 11/20/2010	REVISED -

**STATE OF ILLINOIS**  
**DEPARTMENT OF TRANSPORTATION**

**CONCRETE FACING**  
**STRUCTURE NO. 016-7722**  
SCALE: SHEET NO. 25 OF 61 SHEETS STA. TO STA.

F.A.U. RTE. 1537	SECTION 06-00050-00-GS	COUNTY COOK	TOTAL SHEETS 209	SHEET NO. 119
CONTRACT NO. 63556			ILLINOIS FED. AID PROJECT	