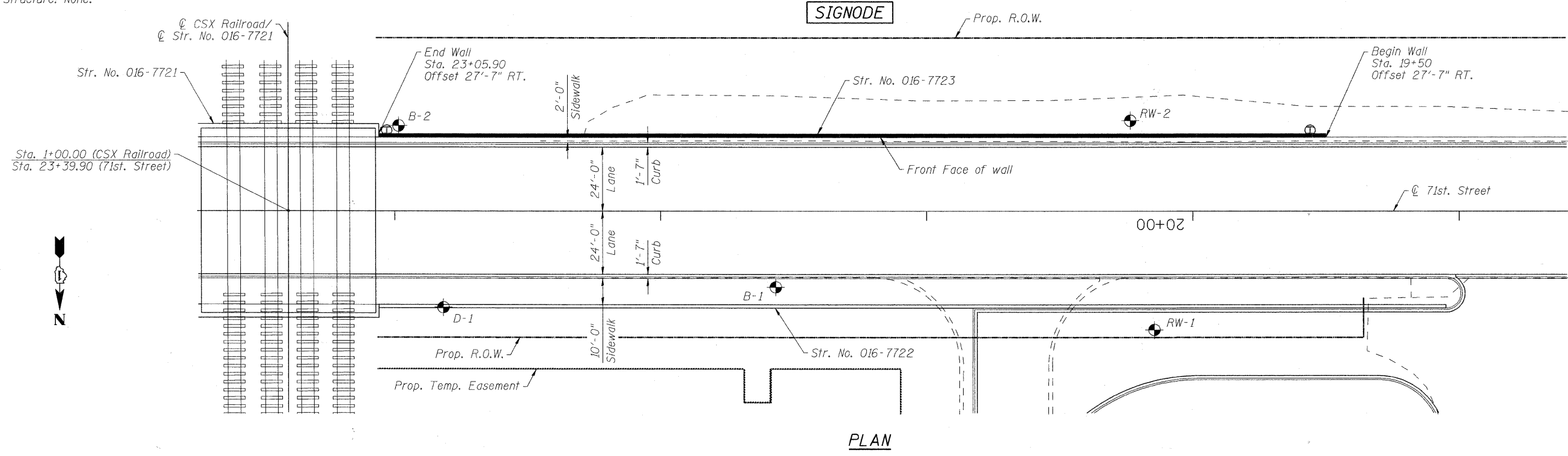
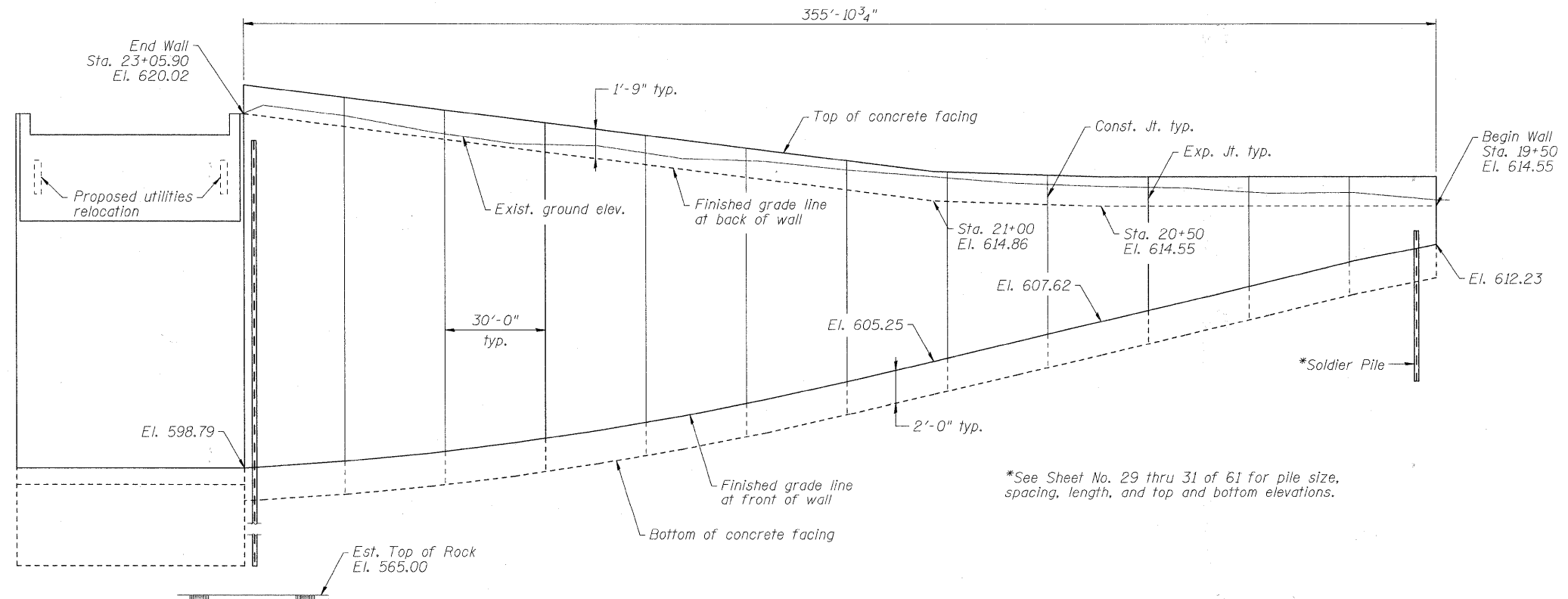


Bench Mark: BVW249 Square cut on N. conc. base of RR signal mast arm base on S. row of 71st Street 1/2 mile West of Harlem Avenue. Elev. 620.57

Existing Structure: None.



PLAN



ELEVATION
(Looking @ front face of wall)

NOTES:

- Offsets are measured from the centerline of 71st St. to the front face of wall.
- Railing on top of wall not shown for clarity.

FILE NAME = P:\016577\000-CAD\021-Drawings\Sheets\Structural\016-7723.D01-struct28-GP&E.dgn



USER NAME = dabezicd	DESIGNED - DD	REVISED -
PLOT SCALE = 0:1.0000 1/4" = 1'-0"	DRAWN - DD	REVISED -
PLOT DATE = 1/21/2011	CHECKED - EJO	REVISED -
	DATE - 10/11/2010	REVISED -

STATE OF ILLINOIS
DEPARTMENT OF TRANSPORTATION

GENERAL PLAN & ELEVATION
STRUCTURE NO. 016-7723

F.A.U. RTE.	SECTION	COUNTY	TOTAL SHEETS	SHEET NO.
1537	06-00050-00-GS	COOK	209	122
CONTRACT NO. 63556			ILLINOIS FED. AID PROJECT	

SCALE: SHEET NO. 28 OF 61 SHEETS STA. TO STA.