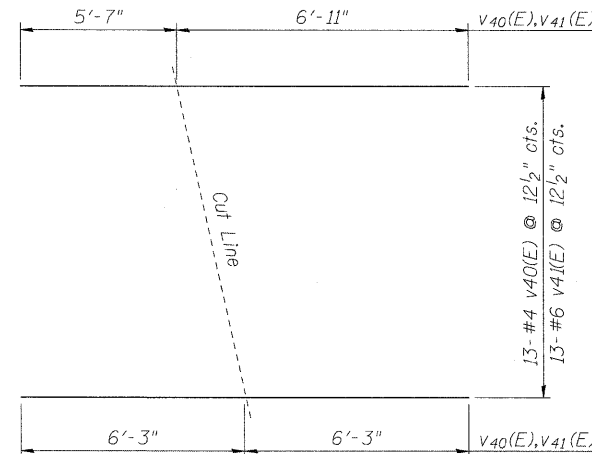


ELEVATION
Concrete Facing Panels 13-14

BILL OF MATERIAL

Bar	No.	Size	Length	Shape
h7(E)	598	#5	31'-7"	
h9(E)	20	#5	26'-9"	
v38(E)	403	#4	5'-11"	
v39(E)	403	#6	6'-11"	
v40(E)	13	#4	12'-6"	
v41(E)	13	#6	12'-6"	
v42(E)	62	#4	4'-9"	
v43(E)	62	#4	6'-6"	
v44(E)	62	#4	8'-3"	
v45(E)	62	#4	10'-0"	
v46(E)	62	#4	11'-9"	
v47(E)	62	#4	13'-6"	
v48(E)	62	#4	15'-1"	
v49(E)	62	#4	16'-6"	
v50(E)	62	#4	17'-9"	
v51(E)	62	#4	18'-9"	
v52(E)	62	#4	19'-8"	
v53(E)	62	#4	20'-4"	
v54(E)	62	#4	20'-10"	
Concrete Structures			Cu. Yd.	328
Reinforcement Bars, Epoxy Coated			Pound	34,000



FIELD CUTTING DIAGRAM

Order v40(E), and v41(E) full length.
Cut as shown and use remainder of bars at the opposite end.

MIN. BAR LAPS

- #4 bars - 2'-0"
- #5 bars - 2'-6"
- #6 bars - 3'-0"

NOTES

For Sections See Sheet 51 of 61.
E.J. = Expansion Joint
C.J. = Construction Joint
B.F. = Back Face
F.F. = Front Face
E.F. = Each Face

FILE NAME = F:\60155877\020 CAD\001 Drawings\Sheets\Structure\1\015-7724_IDOT-sh40-Conc-Facing 3.dgn



USER NAME = dabeziad	DESIGNED = DD	REVISED =
PLOT SCALE = 0:1.0000 1' / IN.	DRAWN = DD	REVISED =
PLOT DATE = 1/21/2011	CHECKED = EJO	REVISED =
	DATE = 11/22/2010	REVISED =

**STATE OF ILLINOIS
DEPARTMENT OF TRANSPORTATION**

**CONCRETE FACING
STRUCTURE NO. 016-7724**

SCALE: SHEET NO. 40 OF 61 SHEETS STA. TO STA.

F.A.U. RTE. 1537	SECTION 06-00050-00-GS	COUNTY COOK	TOTAL SHEETS 209	SHEET NO. 134
CONTRACT NO. 63556			ILLINOIS FED. AID PROJECT	