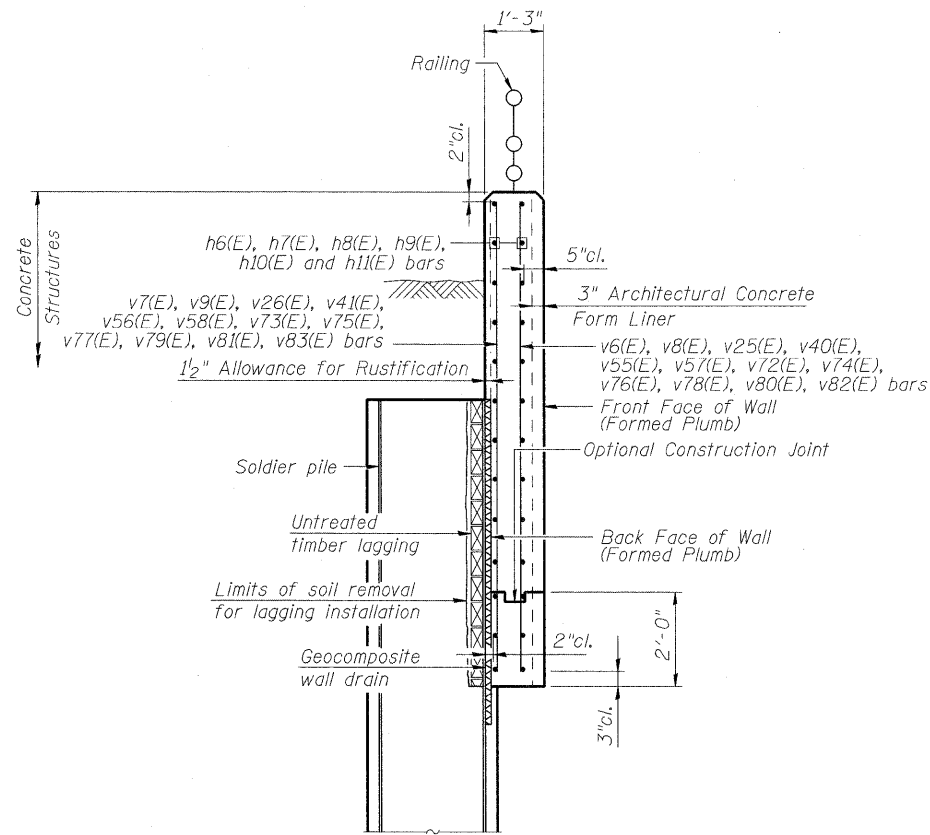
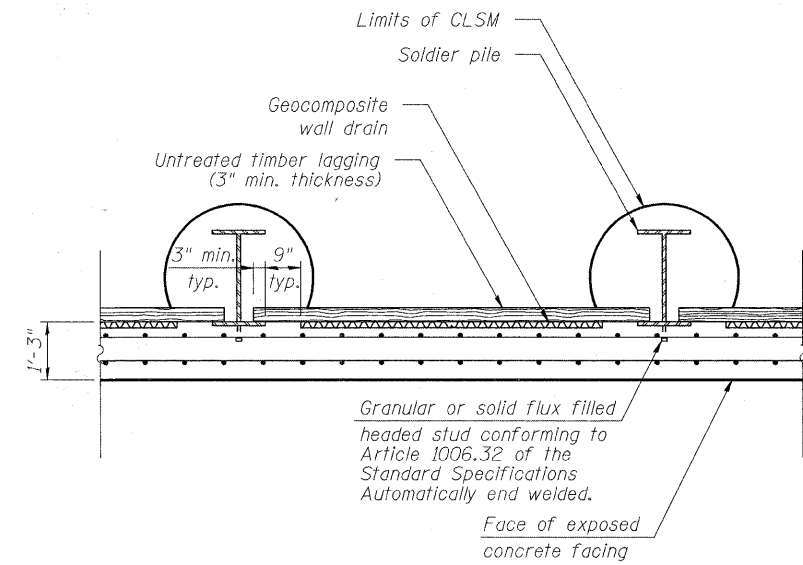


SECTION OF A-A

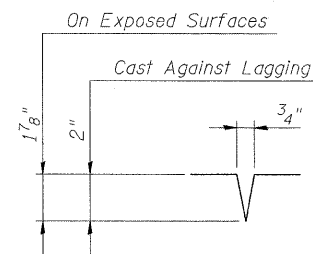


SECTION OF B-B

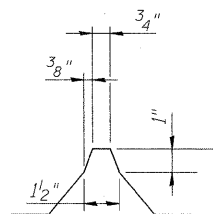


SECTION THRU DRILLED SOLDIER PILE WALL

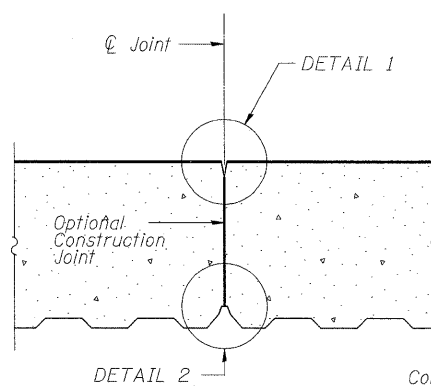
Note: See Sheet No. 52 of 61 for Railing Details.



DETAIL 1
(Smooth Surface)

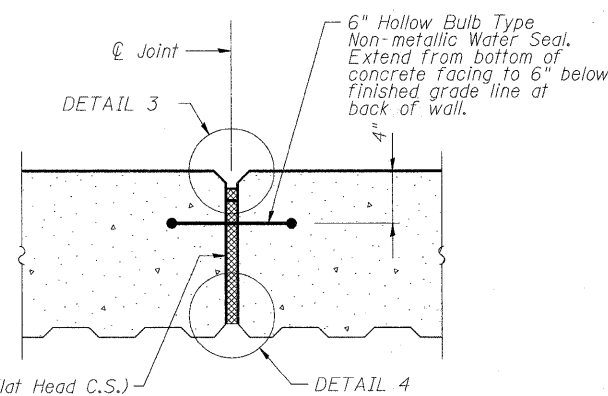


DETAIL 2
(Restricted Surface)



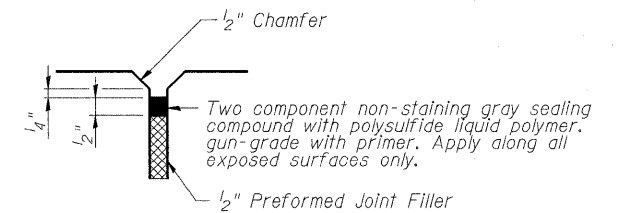
CONSTRUCTION JOINT DETAIL

Notes: Reinforcement not shown.
Cost of joint treatment shall be included with pay items Concrete Structure.

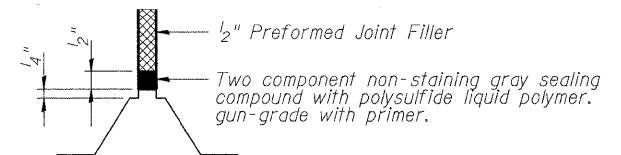


EXPANSION JOINT DETAIL

Notes: Reinforcement not shown.
Cost of joint treatment shall be included with pay items Concrete Structure.



DETAIL 3
(Smooth Surface)



DETAIL 4
(Restricted Surface)



USER NAME = dabezicd	DESIGNED - DD	REVISED -
PLOT SCALE = 8:1 @ 0.0000 1/4" = 1'	DRAWN - DD	REVISED -
PLOT DATE = 1/21/2011	CHECKED - EJO	REVISED -
	DATE - 10/11/2010	REVISED -

STATE OF ILLINOIS
DEPARTMENT OF TRANSPORTATION

TYPICAL CONCRETE FACING

F.A.U. RTE. 1537	SECTION 06-00050-00-GS	COUNTY COOK	TOTAL SHEETS 209	SHEET NO. 145
CONTRACT NO. 63556				[ILLINOIS] FED. AID PROJECT

SCALE: SHEET NO. 51 OF 61 SHEETS STA. TO STA.

FILE NAME = P:\60155077\000-CAD\001-Drawings\Sheet\Structural\016-7726-IDD1-ah5J-Conc-Facing-Section.dgn