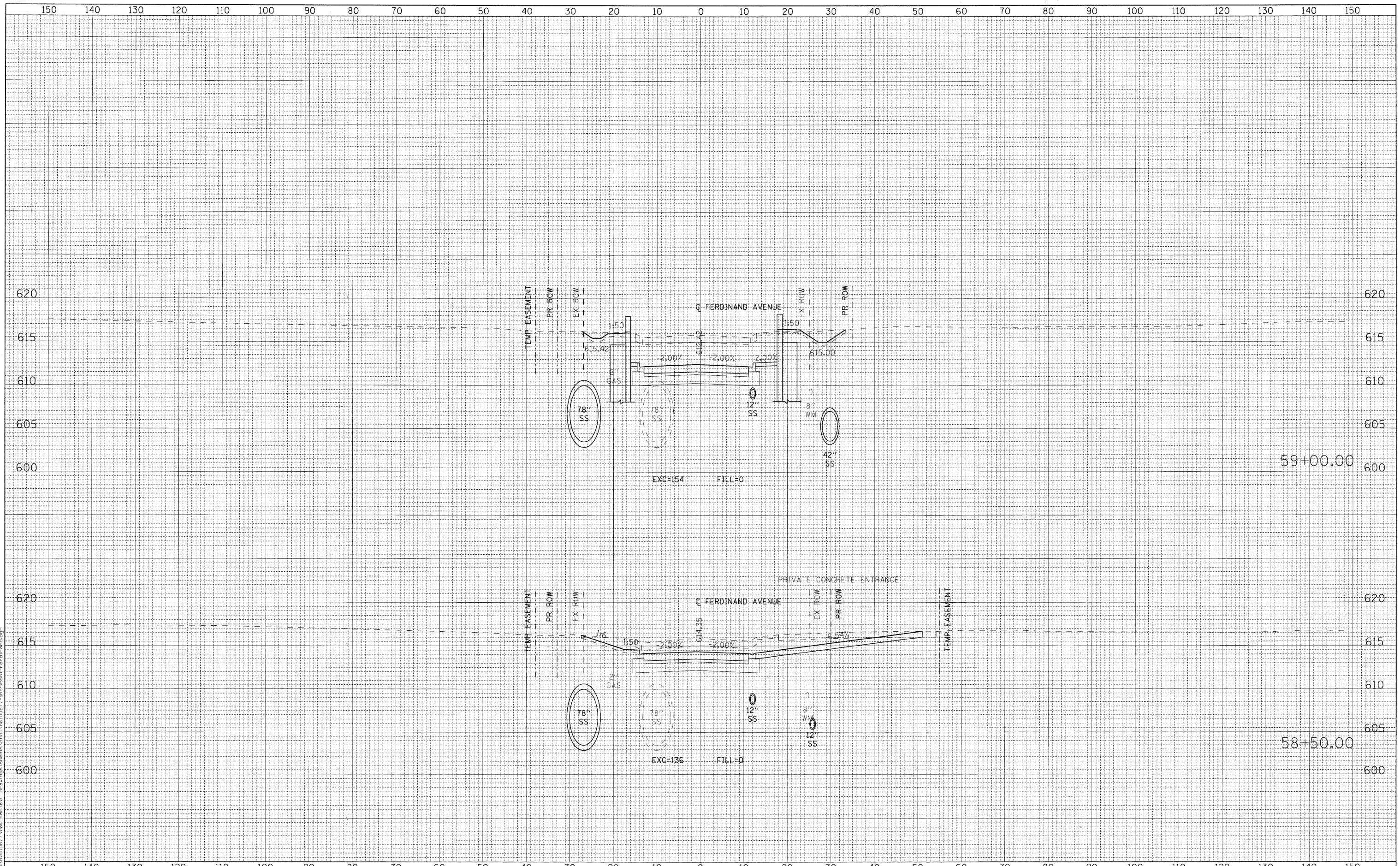


DATE	
BY	
NO.	
FINAL SURVEY	SURVEYED
NOTE BOOK	PLOTTED
AREAS CHECKED	TEMPLATE
	AREAS CHECKED

DATE	
BY	
NO.	
FINAL SURVEY	SURVEYED
NOTE BOOK	PLOTTED
AREAS CHECKED	TEMPLATE
	AREAS CHECKED



USER NAME = holmann	DESIGNED - NJH	REVISED -
PLOT SCALE = 10.000' / IN.	DRAWN - NJH	REVISED -
PLOT DATE = 1/6/2011	CHECKED - TJW	REVISED -
	DATE - DECEMBER 12, 2010	REVISED -

STATE OF ILLINOIS
DEPARTMENT OF TRANSPORTATION

CROSS SECTIONS - FERDINAND AVENUE

H: 1"=10', V: 1"=5' SHEET NO. 4 OF 5 SHEETS STA. 58+50.00 TO STA. 59+00.00

F.A.U. RTE.	SECTION	COUNTY	TOTAL SHEETS	SHEET NO.
1537	06-00050-00-CA	COOK	209	205
CONTRACT NO. 63556			ILLINOIS FED. AID PROJECT	