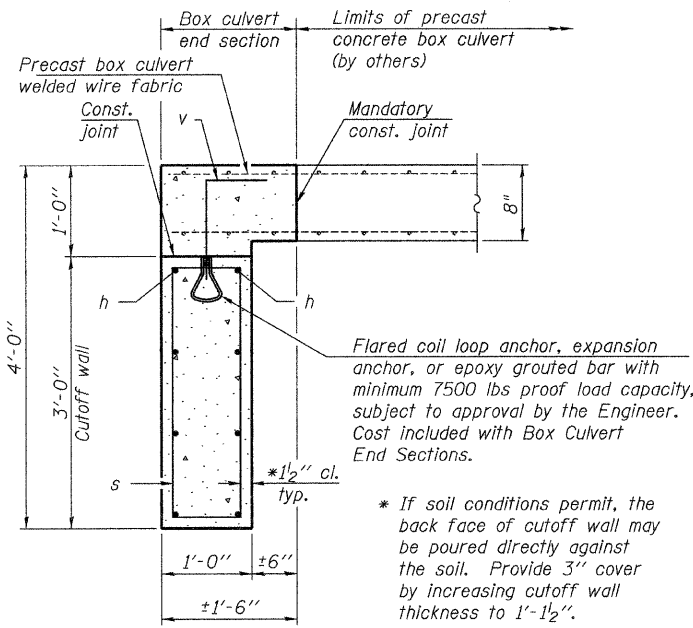
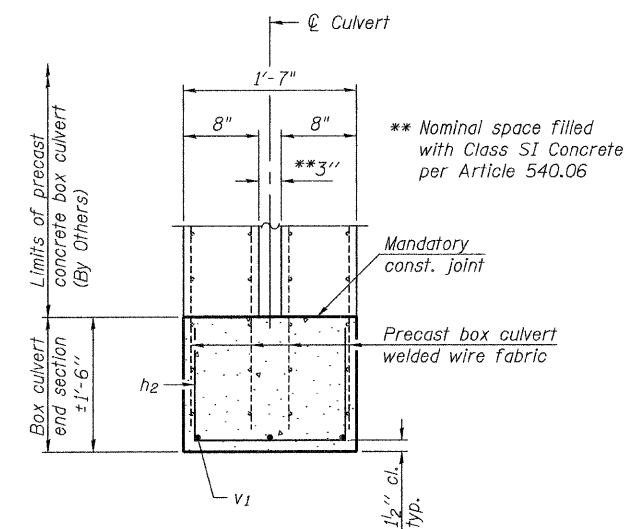


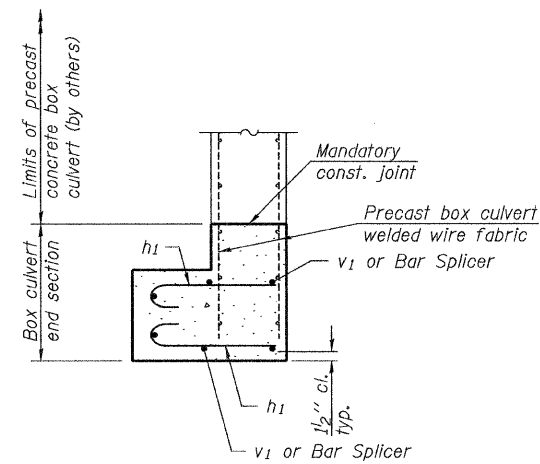
**SECTION L-L**



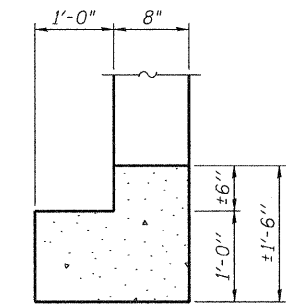
**SECTION M-M**



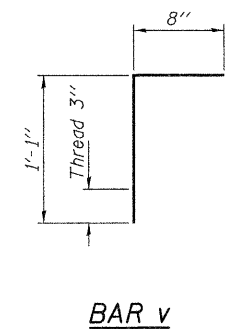
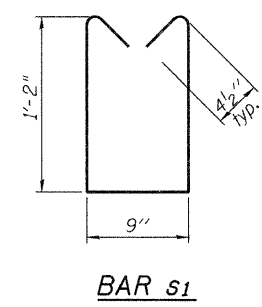
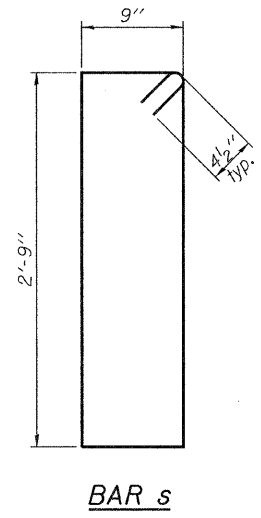
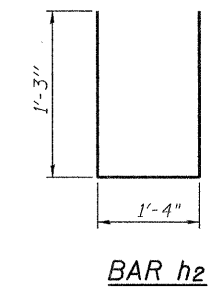
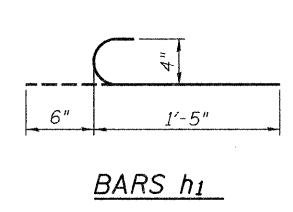
**SECTION N-N**



**SECTION O-O (Showing reinforcement)**



**SECTION O-O (Showing dimensions)**



**ONE END SECTION BILL OF MATERIAL**  
(For information only)

Bar	No.	Size	Length	Shape
h	8	#5	19'-8"	—
h <sub>1</sub>	44	#4	1'-11"	⌋
h <sub>2</sub>	7	#4	3'-10"	⌋
h <sub>3</sub>	4	#7	19'-8"	—
s	18	#4	7'-9"	⌋
s <sub>1</sub>	18	#4	3'-10"	⌋
v	18	#5	1'-9"	⌋
v <sub>1</sub>	15	#5	7'-2"	⌋
Concrete Box Culverts				Cu. Yd. 5.9
Reinforcement Bars				Pound 680
Bar Splicers				Each 12

**BOX CULVERT END SECTION DETAILS**  
**IL. RTE. 84 OVER UNNAMED CREEK**  
**F.A.S. RTE. 5857 - SEC. 1R-T**  
**ROCK ISLAND COUNTY**  
**STATION 68+99.62**